

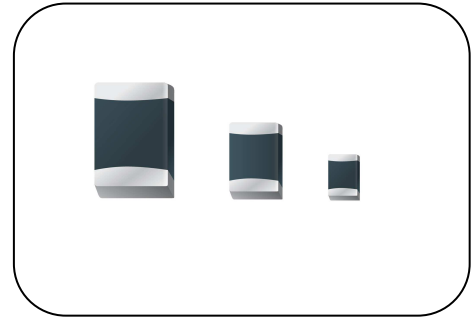
# PTC Thermistor for Automotive : TPM-C Series

## SMD PTC Thermistor for Temperature Sensing



### ■ Features

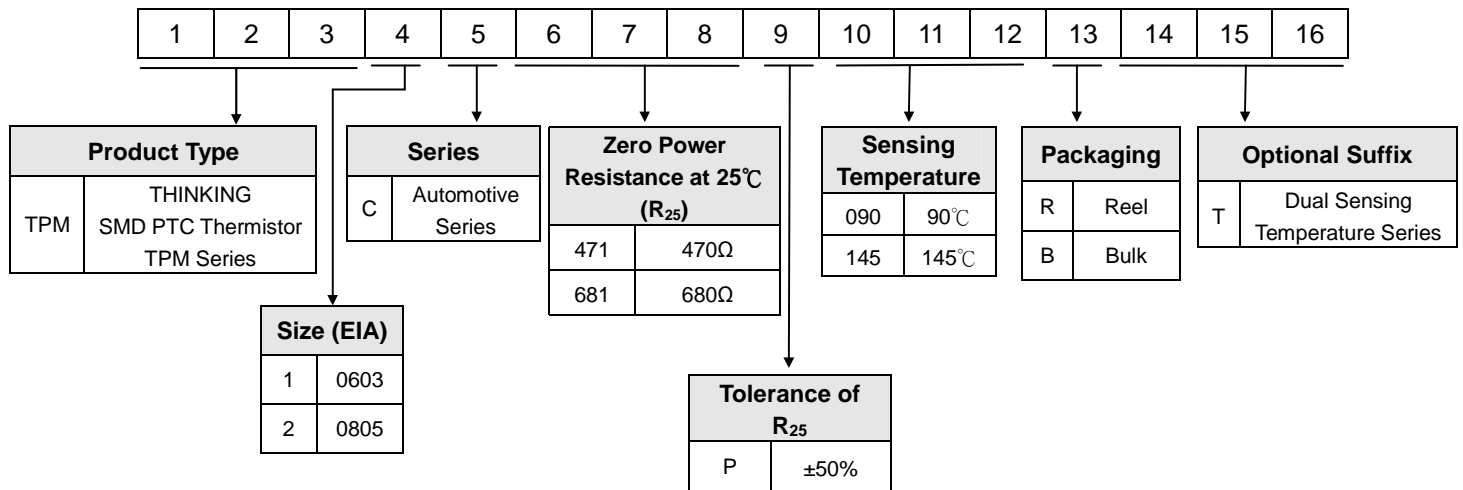
1. Qualification based on AEC-Q200 Rev-C
2. RoHS & Halogen-free compliant
3. EIA size 0603,0805
4. Fast and reliable response



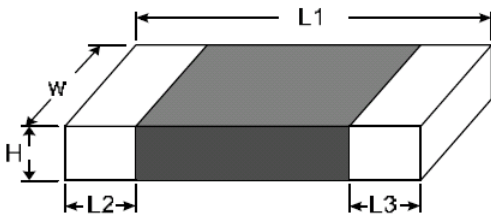
### ■ Recommended Applications

1. Automotive electronics

### ■ Part Number Code



### ■ Structure and Dimensions



(Unit: mm)

Part No.	Size (EIA)	L1	W	H max.	L2 and L3
TPM1	0603	1.60±0.15	0.80±0.15	0.95	0.40±0.20
TPM2	0805	2.00±0.20	1.25±0.20	1.00	0.45±0.25

# PTC Thermistor for Automotive : TPM-C Series

## SMD PTC Thermistor for Temperature Sensing



### ■ Electrical Characteristics

#### ● 0603 Series

Part No.	Size (EIA)	Sensing Temperature at 4.7K $\Omega$	Zero Power Resistance at 25 $^{\circ}$ C	Max. Voltage (V)	Operating Temperature Range
		Ts	R25	Vmax	T <sub>L</sub> ~T <sub>U</sub>
		( $^{\circ}$ C)	( $\Omega$ )	(V <sub>DC</sub> )	( $^{\circ}$ C)
TPM1C471P075R	0603	75 $\pm$ 5	470	32	-40 ~ +90
TPM1C471P105R		105 $\pm$ 5	470	32	-40 ~ +120
TPM1C471P115R		115 $\pm$ 5	470	32	-40 ~ +130

#### ● Dual Sensing Temperature 0603 Series

Part No.	Size (EIA)	Zero Power Resistance at 25 $^{\circ}$ C	Sensing Temperature 1 at 4.7 K $\Omega$	Sensing Temperature 2 at 47 K $\Omega$	Max. Voltage	Operating Temperature Range
		R25	Ts1	Ts2	Vmax	T <sub>L</sub> ~T <sub>U</sub>
		( $\Omega$ )	( $^{\circ}$ C)	( $^{\circ}$ C)	(V <sub>DC</sub> )	( $^{\circ}$ C)
TPM1C471P075RT	0603	470	75 $\pm$ 5	90 $\pm$ 7	32	-40 ~ +100
TPM1C471P105RT		470	105 $\pm$ 5	120 $\pm$ 7	32	-40 ~ +130
TPM1C471P115RT		470	115 $\pm$ 5	130 $\pm$ 7	32	-40 ~ +140

Note: T = Dual Sensing Temperature Series

#### ● 0805 Series

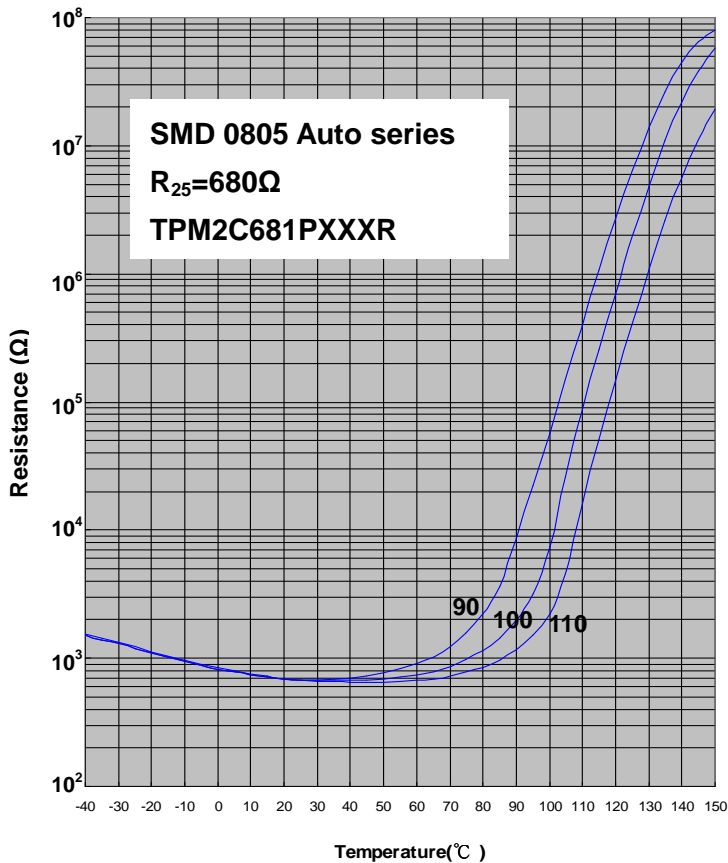
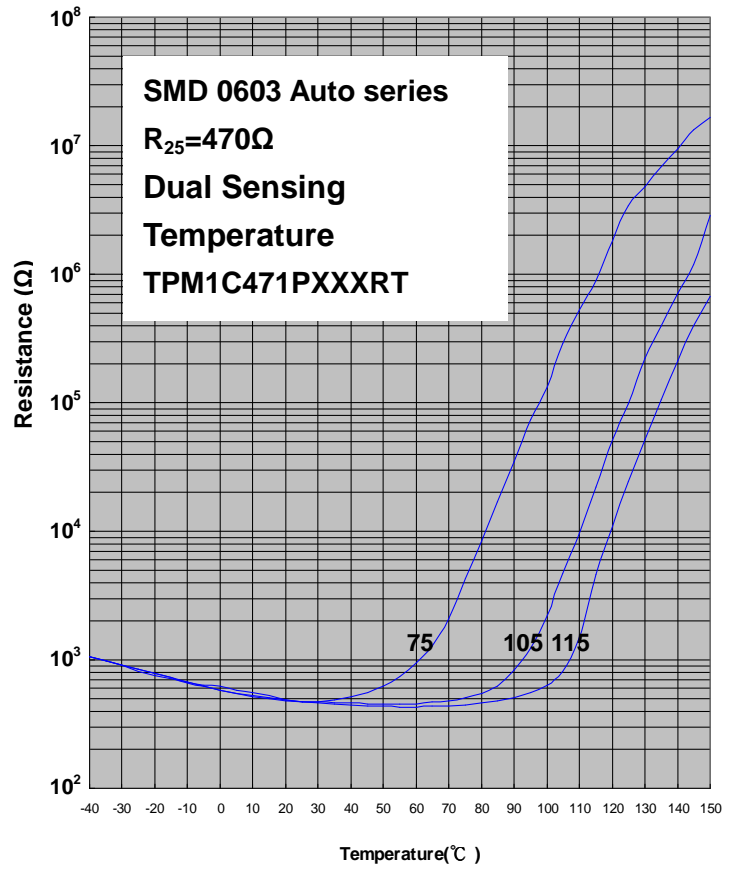
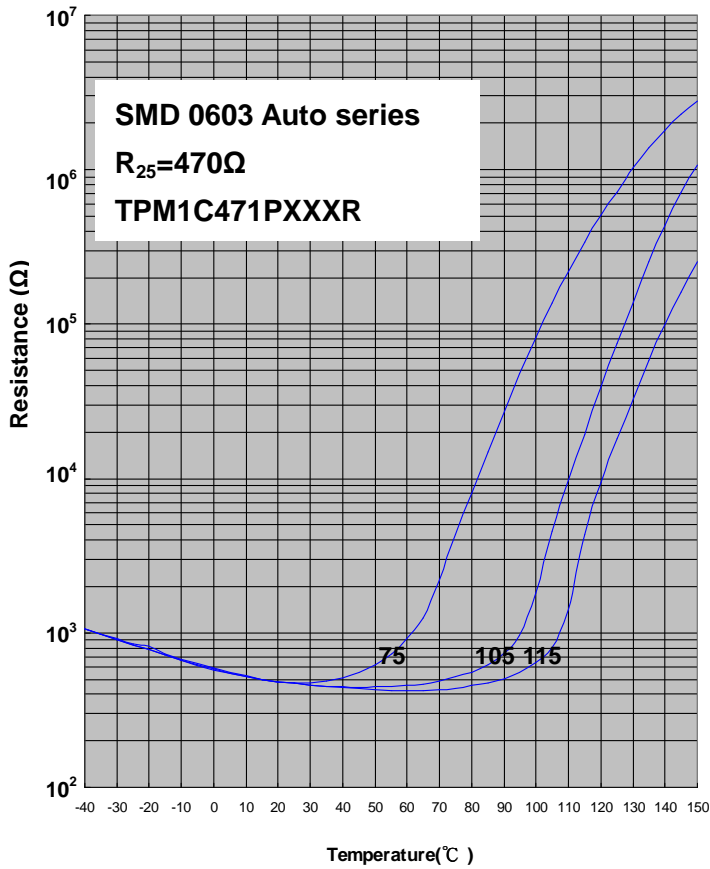
Part No.	Size (EIA)	Sensing Temperature	Resistance				Max. Voltage (V)	Operating Temperature Range
		Ts	R25	Ts - 5 $^{\circ}$ C	Ts + 5 $^{\circ}$ C	Ts + 15 $^{\circ}$ C	Vmax	T <sub>L</sub> ~T <sub>U</sub>
		( $^{\circ}$ C)	( $\Omega$ )	(K $\Omega$ )	(K $\Omega$ )	(K $\Omega$ )	(V <sub>DC</sub> )	( $^{\circ}$ C)
TPM2C681P090R	0805	90	680	$\leq$ 5.5	$\geq$ 13.3	$\geq$ 40	32	-40 ~ +125
TPM2C681P100R		100						-40 ~ +125
TPM2C681P110R		110						-40 ~ +135

# PTC Thermistor for Automotive : TPM-C Series

## SMD PTC Thermistor for Temperature Sensing



### Resistance-Temperature Characteristics (Typical)



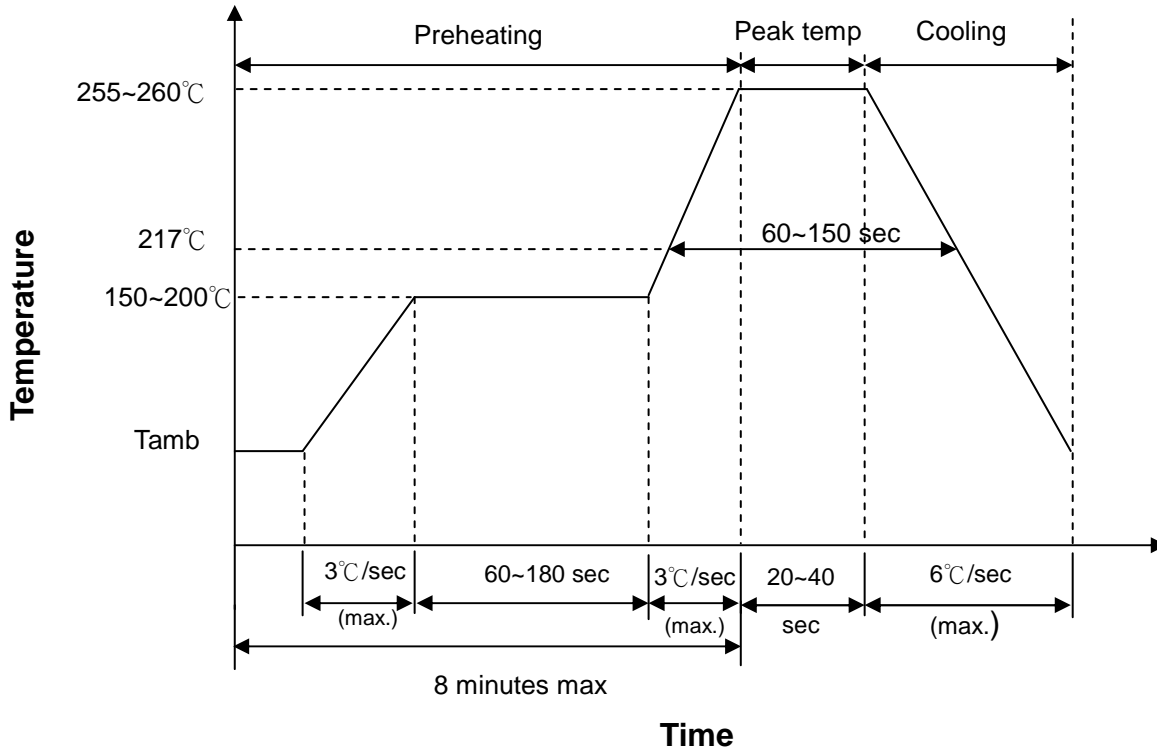
# PTC Thermistor for Automotive : TPM-C Series

## SMD PTC Thermistor for Temperature Sensing



### ■ Soldering Recommendation

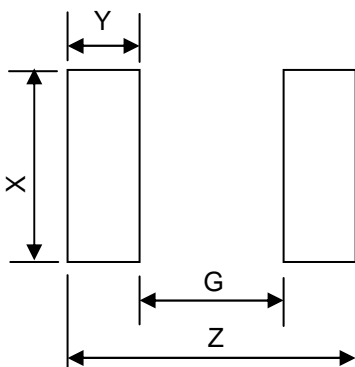
#### ● IR-Reflow Soldering Profile



#### ● Recommended Reworking Conditions with Soldering Iron

Item	Conditions
Temperature of Soldering Iron-tip	360°C (max.)
Soldering Time	3 sec (max.)
Diameter of Soldering Iron-tip	Φ3mm (max.)
<b>Caution:</b> Please do not touch the component surface with soldering iron directly to prevent component damage.	

### ■ Recommended Soldering Pad Dimensions



Size (EIA)	Z (mm)	G (mm)	X (mm)	Y (mm)
0603	3.0	1.0	1.0	1.0
0805	3.4	1.0	1.4	1.2

# PTC Thermistor for Automotive : TPM-C Series

## SMD PTC Thermistor for Temperature Sensing



### ■ Reliability (based on AEC-Q200 Rev-C)

Item	Standard	Test Conditions / Methods	Specifications																																												
High Temperature Exposure (Storage)	MIL-STD-202 Method 108	Test temp.: T <sub>max.</sub> +3/-0°C Duration: 1000 hrs unpowered Measurement at 24±2 hours after test conclusion.	No visible damage   $\Delta R_{25}/R_{25}$   ≤ 20%																																												
Temperature Cycling	JESD22 Method JA-104	Lower test temp.: -40 +0/-3°C Upper test temp.: 125 +3/-0°C Soak time at lower or upper temp.: 1 min Cycle time : 2 cycles/hr Number of cycles: 1000 Measurement at 24±2 hours after test conclusion.	No visible damage   $\Delta R_{25}/R_{25}$   ≤ 20%																																												
Moisture Resistance	MIL-STD-202 Method 106	Duration of 1 cycle: 24 hrs Number of cycles: 10, unpowered Measurement at 24±2 hours after test conclusion. <table border="1" style="margin-left: 20px;"> <thead> <tr> <th rowspan="2">Step</th> <th colspan="2">Temp.(°C)</th> <th>Humidity</th> <th>Period</th> </tr> <tr> <th>Start</th> <th>Finish</th> <th>(%)</th> <th>(hr)</th> </tr> </thead> <tbody> <tr> <td>1</td> <td>25</td> <td>65</td> <td>90~100</td> <td>2.5</td> </tr> <tr> <td>2</td> <td>65</td> <td>65</td> <td>90~100</td> <td>3</td> </tr> <tr> <td>3</td> <td>65</td> <td>25</td> <td>80~100</td> <td>2.5</td> </tr> <tr> <td>4</td> <td>25</td> <td>65</td> <td>90~100</td> <td>2.5</td> </tr> <tr> <td>5</td> <td>65</td> <td>65</td> <td>90~100</td> <td>3</td> </tr> <tr> <td>6</td> <td>65</td> <td>25</td> <td>80~100</td> <td>2.5</td> </tr> <tr> <td>7</td> <td>25</td> <td>25</td> <td>80~100</td> <td>8</td> </tr> </tbody> </table>	Step	Temp.(°C)		Humidity	Period	Start	Finish	(%)	(hr)	1	25	65	90~100	2.5	2	65	65	90~100	3	3	65	25	80~100	2.5	4	25	65	90~100	2.5	5	65	65	90~100	3	6	65	25	80~100	2.5	7	25	25	80~100	8	No visible damage   $\Delta R_{25}/R_{25}$   ≤ 20%
Step	Temp.(°C)			Humidity	Period																																										
	Start	Finish	(%)	(hr)																																											
1	25	65	90~100	2.5																																											
2	65	65	90~100	3																																											
3	65	25	80~100	2.5																																											
4	25	65	90~100	2.5																																											
5	65	65	90~100	3																																											
6	65	25	80~100	2.5																																											
7	25	25	80~100	8																																											
Biased Humidity	MIL-STD-202 Method 103	Test temp.: 85°C Rel. humidity of air: 85% Duration: 1000 hrs Bias at Max. Voltage V <sub>max</sub> (V <sub>DC</sub> ) Measurement at 24±2 hours after test conclusion.	No visible damage   $\Delta R_{25}/R_{25}$   ≤ 20%																																												
Operational Life	MIL-STD-202 Method 108	Test temp.: T <sub>max.</sub> +3/-0°C Duration: 1000 hrs Bias at Max. Voltage V <sub>max</sub> (V <sub>DC</sub> ) Measurement at 24±2 hours after test conclusion.	No visible damage   $\Delta R_{25}/R_{25}$   ≤ 20%																																												
External Visual	MIL-STD-883 Method 2009	Inspect device construction, marking and workmanship.	No visible damage																																												
Physical Dimension	JESD22 Method JB-100	Verify physical dimensions to the applicable device specification.	Within the specified values																																												

# PTC Thermistor for Automotive : TPM-C Series

## SMD PTC Thermistor for Temperature Sensing



Item	Standard	Test Conditions / Methods	Specifications
Resistance to Solvents	MIL-STD-202 Method 215	Per MIL-STD-202 Method 215 Solvent: 1: 1 part (by volume) of isopropyl alcohol 3 part (by volume) of mineral spirits.	No visible damage
Mechanical Shock	MIL-STD-202-213	Test Condition F Peak value : 1500g's Half sine Waveform Normal duration (D) : 0.5ms In 3 directions perpendicularly intersecting each other (total 18 times).	No visible damage $ \Delta R_{25}/R_{25}  \leq 20\%$
Vibration	MIL-STD-202 Method 204	Acceleration: 5 g's Sweep time: 20 min Frequency range: 10 to 2000 Hz 3x12 cycles	No visible damage $ \Delta R_{25}/R_{25}  \leq 20\%$
Resistance to Soldering Heat	MIL-STD-202 Method 210	Condition B No pre-heat of samples. Temp. : 260±5°C, Time: 10±1s Immersion and emersion rate: 25mm/s ±6 mm/s Number of heat cycles: 1	No visible damage $ \Delta R_{25}/R_{25}  \leq 20\%$
Thermal Shock	MIL-STD-202 Method 107	Lower test temp. : -40 +0/-3°C Upper test temp. : 125 +3/-0°C Maximum transfer time: 20 seconds. Dwell time: 15 minutes. Air-Air. Number of cycles: 300	No visible damage $ \Delta R_{25}/R_{25}  \leq 20\%$
ESD	AEC-Q200-002	Discharge capacitance: 150 pF Charging voltage: 6 KV Contact discharge 1 pulse in each polarity	No visible damage $ \Delta R_{25}/R_{25}  \leq 20\%$
Solderability	IEC 60068-2-58 J-STD-002	a) 4 hrs @ 155°C dry heat Dip @245±5°C 3±0.3sec b) Steam aging 8h±15min @93±3°C Dip @260±5°C 7±0.5sec	95% of termination wetted
Electrical Characterization	Specifications	Ta1:25±2°C Ta2:[Tsx + □°C] ±0.1°C Ta3:[Tsx - □°C] ±0.1°C	Within the specified values
Board Flex	AEC-Q200-005 (JIS-C-6429)	Bend the board: 2mm (Min.) Duration: 60 (+5) Sec	No visible damage $ \Delta R_{25}/R_{25}  \leq 10\%$
Terminal Strength	AEC-Q200-006 (JIS-C-6429)	Apply force: 0.5kg (5 N) Duration of the applied forces: 60 (+1) Sec	No visible damage $ \Delta R_{25}/R_{25}  \leq 20\%$

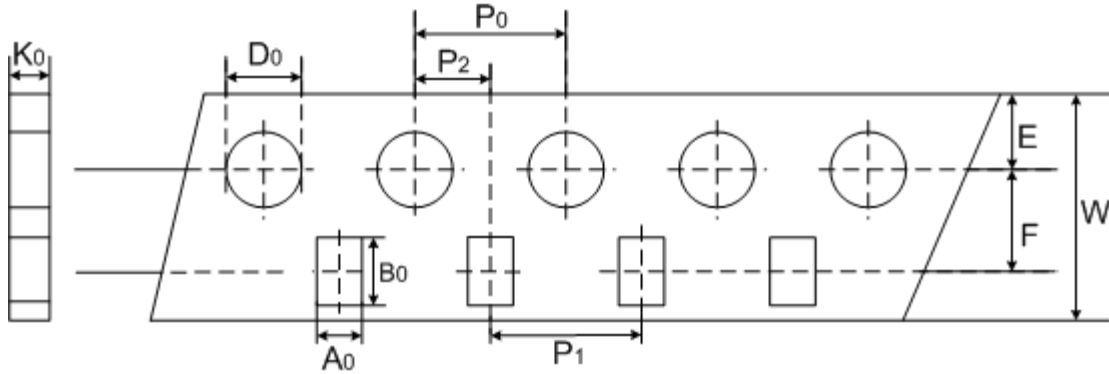
# PTC Thermistor for Automotive : TPM-C Series

## SMD PTC Thermistor for Temperature Sensing



### ■ Packaging

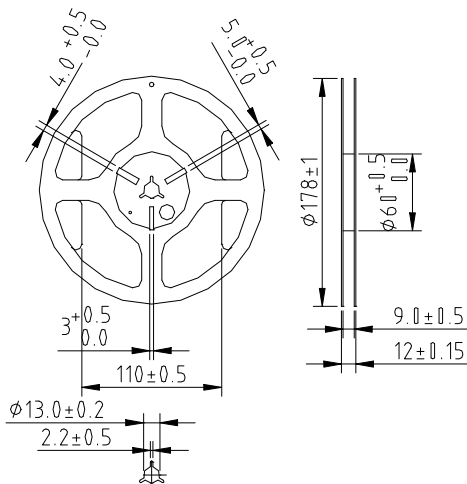
#### ● Taping Specification



(Unit: mm)

Index	$A_0$	$B_0$	$W$	$E$	$F$	$P_1$	$P_2$	$P_0$	$D_0$	$K_0$
Size	$\pm 0.2$	$\pm 0.2$	$\pm 0.2$	$\pm 0.1$	$\pm 0.05$	$\pm 0.1$	$\pm 0.05$	$\pm 0.1$	$\pm 0.1$	$\pm 0.1$
0603	1.1	1.9	8	1.75	3.5	4	2	4	1.55	0.95
0805	1.5	2.3	8	1.75	3.5	4	2	4	1.55	1.0

### ■ Quantity



Type	Quantity (pcs/reel)
0603	4,000
0805	3,500

### ■ Warehouse Storage Conditions of Products

- Storage Conditions :
  1. Storage Temperature:  $-10^{\circ}\text{C} \sim +40^{\circ}\text{C}$
  2. Relative Humidity:  $\leq 75\% \text{RH}$
  3. Keep away from corrosive atmosphere and sunlight.
- Period of Storage : 1 year