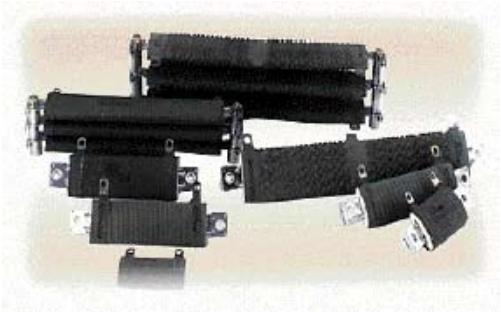




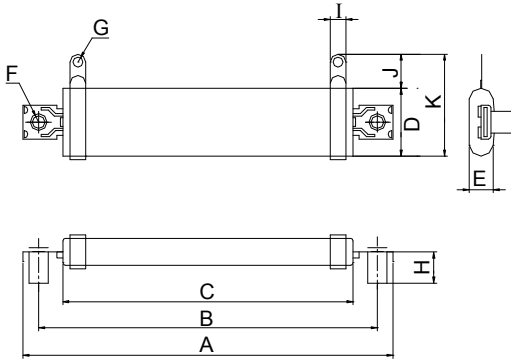
Power Resistors

Wirewound Power Resistors - ZZR Series / 绕线功率电阻器

A flat tubular ceramic has two terminals and is wound with either copper wire or chromium alloy wire as a resistance element. It is coated with a high-temperature non-flammable resin. When cooled and dried, it is encapsulated in insulation through a high-temperature process before the final installation of the component mounts. It is mainly utilized for industrial installations where height is limited. Features excellent windings, taps adding, low impedance, and PC board insertable. These resistors are suitable for educational modeling applications, load testing, industrial machinery, electric power distribution, instruments, automation control installations, etc. For custom specifications, please contact us to discuss the details.

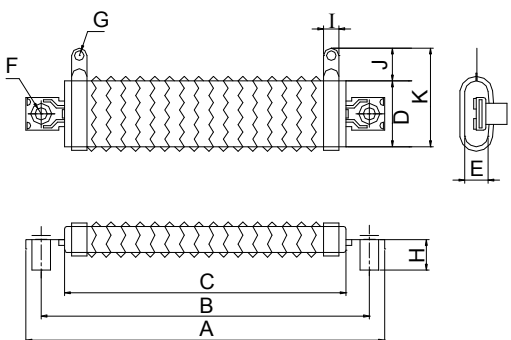


► Wirewound Power Resistor ZZR Type 40W ~ 300W



Wattage Rating	Dimensions(mm)											Resistance Range(Ω)
	A	B	C	D	E	F	G	H	I	J	K	
40W	83	70	50	28	11	5.2	4.1	13	6.5	12	42	0.1~5K Ω
55W	123	110	90	28	11	5.2	4.1	13	6.5	12	42	0.1~6K Ω
70W	153	140	120	28	11	5.2	4.1	13	6.5	12	42	0.1~7K Ω
95W	183	170	150	28	11	5.2	4.1	13	6.5	12	42	0.1~10K Ω
100W	193	180	160	28	11	5.2	4.1	13	6.5	12	42	0.1~12K Ω
120W	218	205	185	28	11	5.2	4.1	13	9	12	42	0.1~15K Ω
150W	218	205	185	35	11	5.2	5.2	13	9	13	48	0.1~18K Ω
200W	243	230	210	35	11	5.2	5.2	13	9	13	48	0.1~25K Ω
250W	287	274	254	35	11	5.2	5.2	13	9	13	48	0.1~30K Ω
300W	333	320	300	35	11	5.2	5.2	13	9	13	48	0.1~35K Ω

► Wirewound Power Resistor ZQR Type 60W ~ 450W



Wattage Rating	Dimensions(mm)											Resistance Range(Ω)
	A	B	C	D	E	F	G	H	I	J	K	
60W	83	70	50	28	11	5.2	4.1	13	6.5	12	42	1~4 Ω
80W	123	110	90	28	11	5.2	4.1	13	6.5	12	42	1~5 Ω
100W	153	140	120	28	11	5.2	4.1	13	6.5	12	42	1~7 Ω
140W	183	170	150	28	11	5.2	4.1	13	6.5	12	42	1~9 Ω
150W	193	180	160	28	11	5.2	4.1	13	6.5	12	42	1~10 Ω
180W	218	205	185	28	11	5.2	4.1	13	9	12	42	1~12 Ω
225W	218	205	185	35	11	5.2	5.2	13	9	13	48	1~15 Ω
300W	243	230	210	35	11	5.2	5.2	13	9	13	48	1~20 Ω
375W	287	274	254	35	11	5.2	5.2	13	9	13	48	1~25 Ω
450W	333	320	300	35	11	5.2	5.2	13	9	13	48	1~30 Ω

Notice: All dimensions might be changed or modified, please refer to last updating specification.



Power Resistors

► How to Order

ZZR	55W	10R	J
①	②	③	④

① Product Type: ZZR type
ZQR type

② Rated Wattage: 40W~300W
60W~450W

③ Resistance Value(Ω): (Ω)
Indicates Resistance
Value in Units of Ohms.

④ Resistance Tolerance

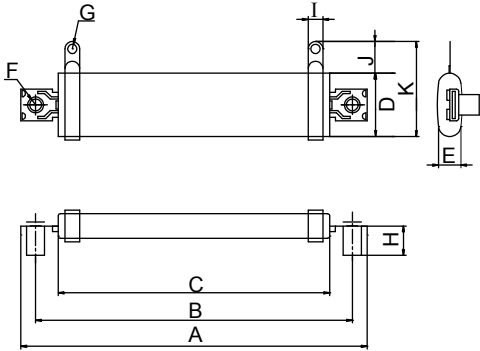
Code	Resistance Tolerance
H	$\pm 3\%$
J	$\pm 5\%$
K	$\pm 10\%$



Power Resistors

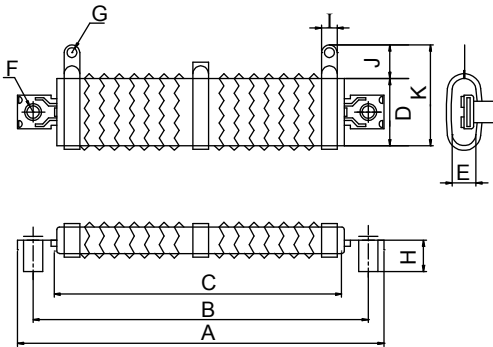
Wirewound Power Resistors - ZQN Series

Wirewound Power Resistor ZNR Type 40W ~ 450W



Wattage Rating	Dimensions(mm)											Resistance Range(Ω)
	A	B	C	D	E	F	G	H	I	J	K	
40W	83	70	50	28	11	5.2	4.1	13	6.5	12	42	0.1~2K Ω
55W	123	110	90	28	11	5.2	4.1	13	6.5	12	42	0.1~2.5K Ω
70W	153	140	120	28	11	5.2	4.1	13	6.5	12	42	0.1~3K Ω
95W	183	170	150	28	11	5.2	4.1	13	6.5	12	42	0.1~4.5K Ω
100W	193	180	160	28	11	5.2	4.1	13	6.5	12	42	0.1~5.5K Ω
120W	218	205	185	28	11	5.2	4.1	13	9	12	42	0.1~7K Ω
150W	218	205	185	35	11	5.2	5.2	13	9	13	48	0.1~8.5K Ω
200W	243	230	210	35	11	5.2	5.2	13	9	13	48	0.1~12K Ω
250W	287	274	254	35	11	5.2	5.2	13	9	13	48	0.1~14K Ω
300W	333	320	300	35	11	5.2	5.2	13	9	13	48	0.1~16K Ω

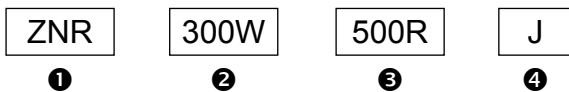
Wirewound Power Resistor ZQN Type 60W ~ 450W



Wattage Rating	Dimensions(mm)											Resistance Range(Ω)
	A	B	C	D	E	F	G	H	I	J	K	
60W	83	70	50	28	11	5.2	4.1	13	6.5	12	42	1~4 Ω
80W	123	110	90	28	11	5.2	4.1	13	6.5	12	42	1~5 Ω
100W	153	140	120	28	11	5.2	4.1	13	6.5	12	42	1~7 Ω
140W	183	170	150	28	11	5.2	4.1	13	6.5	12	42	1~9 Ω
150W	193	180	160	28	11	5.2	4.1	13	6.5	12	42	1~10 Ω
180W	218	205	185	28	11	5.2	4.1	13	9	12	42	1~12 Ω
225W	218	205	185	35	11	5.2	5.2	13	9	13	48	1~15 Ω
300W	243	230	210	35	11	5.2	5.2	13	9	13	48	1~20 Ω
375W	287	274	254	35	11	5.2	5.2	13	9	13	48	1~25 Ω
450W	333	320	300	35	11	5.2	5.2	13	9	13	48	1~30 Ω

Notice: All dimensions might be changed or modified, please refer to last updating specification.

How to Order



① Product Type: ZNR type
ZQR type

② Rated Wattage: 40W~300W
60W~450W

③ Resistance Value(Ω): (Ω)
Indicates Resistance
Value in Units of Ohms.

④ Resistance Tolerance

Code	Resistance Tolerance
H	$\pm 3\%$
J	$\pm 5\%$
K	$\pm 10\%$