

RF Modulator

UDC RF Modulator RFM212-G is a Compact & Weight design . The device could be mounted directly onto the equipment mother board . It is multi-application device such as VCR , Laser disk , Satellite Receive & CATV terminal box etc.

Features

- Excellent video & audio performance
- High gain antenna booster amplifier
- Excellent frequency stability at temperature from 0° C to 60° C
- Compact and reliable
- Built-in white clip circuit to eliminate bus noise
- Built-in test signal generator for alignment and test

Technical specification

VIDEO SECTION

Video input level	:	1V p-p
Video modulation level (PAL 50%)	:	75%
Video input impedance	:	75 ohm unbalanced
Differential phase	:	10° max.
Differential gain	:	10% max.

AUDIO SECTION

Input level	:	1V p-p 100% modulation at 1 KHz
Modulation factor	:	100% mod. \pm 50 KHz
Input impedance	:	10K ohm min. unbalanced
Total harmonic distortion	:	3% max.
Audio S/N ratio	:	45dB min .

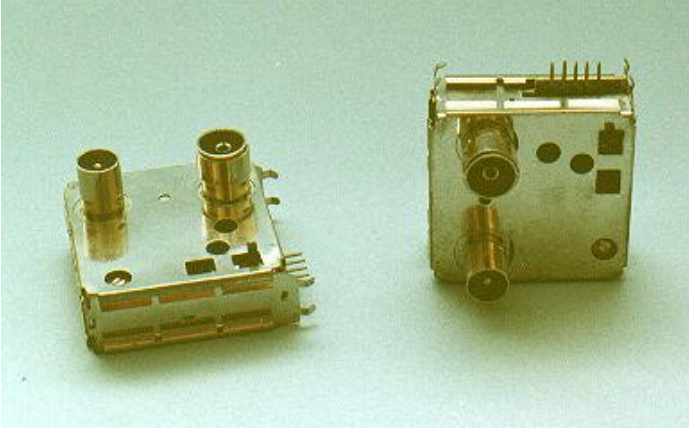
RF SECTION

Output channel	:	UHF 30-40 (CCIR) (Set CH=36CH [591.25MHz \pm 0.5 MHz] or customers information)
Output level	:	70 dB μ V \pm 4
Difference in output level (Vision to sound)	:	-16 dB \pm 4
Spurious signal within assigned band :		-60 dB
Spurious signal outside assigned band :		-40 dB
Carrier frequency stability / temp.	:	\pm 600 KHz from 0° C to 60° C
Inter carrier frequency accuracy	:	5.5 MHz \pm 8 KHz (System G)

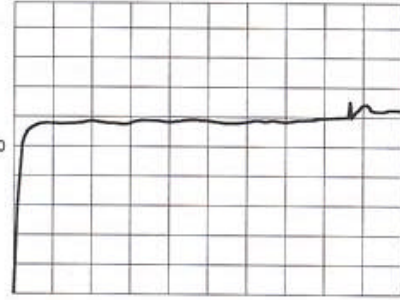
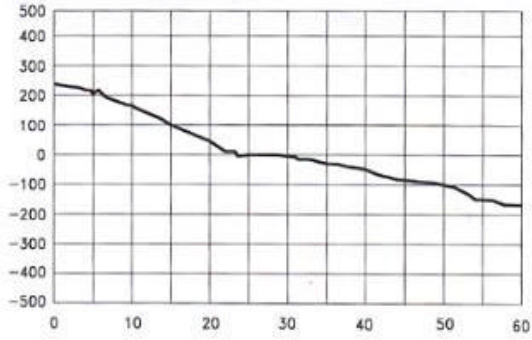
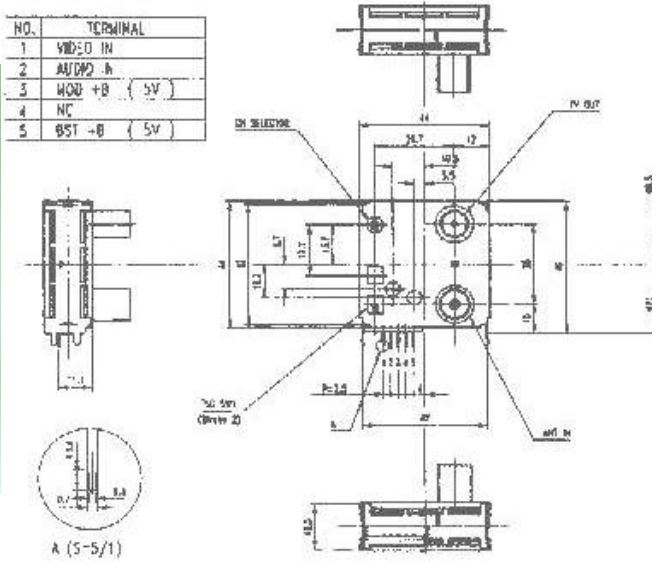
ANTENNA RF AMPLIFIER SECTION

Passband	:	47-862 MHz
Input & Output Impedance	:	75 ohm
Gain	:	4.5 dB \pm 3
DC Power		
Supply Voltage	:	5 V DC
Current consumption	:	60 mA

RF Connector for RF Ant. Input and TV out.



NO.	TERMINAL
1	WDED IN
2	AV/DPO IN
3	WDD +B (5V)
4	NC
5	BST +B (5V)



UDC ELECTRONIC INDUSTRY LIMITED

Rm. A & B., 17/FL., Sincere Insurance Bldg., East Wing, 6 Hennessy Road, Wanchai, Hong Kong

Tel: (852) 2744 1613 (5 Lines) Fax: (852) 2785 0814

E-mail: udc@udcelect.com