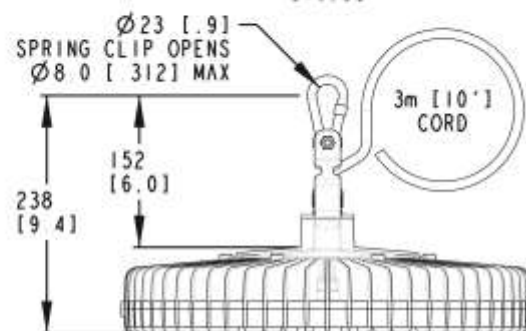
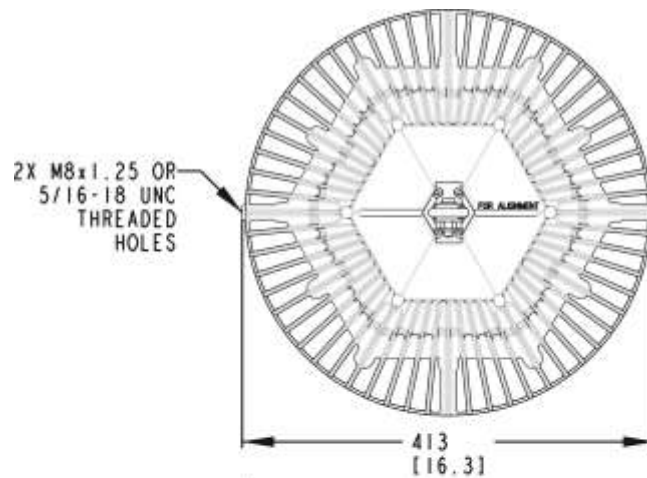


Important information:

These instructions contain safety information, read and follow them carefully. Dialight will not accept any responsibility for injury, damage or loss which may occur due to incorrect installation, operation or maintenance

Operating Instructions



Dimensions in mm [inches]

Languages

Page Number

English

1

- NOTE: Save these instructions for future use.

Safety Instruction:

- The technical data indicated on the LED luminaires are to be observed.
- Changes of the design and modifications to the LED luminaire are not permitted.
- Observe the national electrical safety rules and regulations during installation.
- No user serviceable parts inside.
- No field replaceable parts.
- Be certain electrical power is OFF before and during installation and maintenance.
- Luminaire must be connected to a wiring system with an equipment-grounding conductor.
- Make sure the supply voltage is the same as the rated luminaire voltage.
- Do not operate in ambient temperatures above those indicated on the luminaire nameplate.

Technical Data

Nominal AC Supply Voltage

HE*****P****: 110-277V AC, 50/60Hz
 All Others: 100-277V AC, 50/60Hz

Supply Current (nominal @ 230V)

0.4A – HE*****D****
 0.5A – HE*****G****
 0.7A – HE*****K****
 0.9A – HE*****P****

Power consumption

89W – HE*****D****
 113W – HE*****G****
 145W – HE*****K****
 206W – HE*****P****

Operating temperature range

-40°C to +65°C

Power factor

>0.9

ATHD

<20% @ 230/240V AC

Dimensions (Height x Diameter)

12.7cm x 40.6cm

Weight

HE*****: 9kg

Introduction

An internal power-factor-corrected switch-mode supply allows it to be used at a nominal 100-277VAC (except for HE*****P****; see note below), 50/60Hz AC supply without any variation in light output. For supply connections, use suitable cable rated for 100-277VAC 1.5mm² and at least 90°C. Recommended mounting height: 6 to 12m. This luminaire is IP66 rated and is suitable for indoor and outdoor applications.

NOTE: HE*****P**** versions are rated for 110-277VAC ONLY.

A 2 conductor, 18AWG, plenum-rated cable is provided for connection to a DALI network. The cable jacket is red in color and contains one black conductor and one red conductor. Alternately, an integrated power and signal cable is provided for connection to a DALI network. The DALI conductors are violet and grey in colour.

DALI employs a diode bridge so devices can be wired without regard for polarity. A standalone system can control up to 64 devices.

Installation

For maximum long term reliability and light output, the light must be installed in free air. The High Bay luminaire design incorporates an over-temperature control circuit that reduces input power should internal temperatures reach a maximum level. As a result, light output may be temporarily reduced at higher ambient temperatures.

The High Bay luminaire is fitted with a 3m long cable that can be extended if required. High Bay models HE*****H**, HE*****E** are fitted with a snap hook in order to hang the luminaire from an appropriately sized mounting point. Rear alignment mark should be observed when installing the oval light output version, model types HE*G*****, HE*7*****, HE*E*****, HE*N*****.

Stirrup Mounting

The 'Stirrup Bracket' is fixed into place using 2 bolts and the threaded holes on the side of the luminaire. When secured into the desired position the 2 bolts should be tightened to 8.0 – 10.0Nm.

Installation of Luminaire

Electrical Connection

Note: Electrical installation of the extension should be carried out by a qualified electrician.

Connecting the fitted power cable conductors as follows:

- Green/Yellow wire connects to Safety Ground (Earth).
- BROWN wire connects to Live.
- BLUE wire connects to Neutral.
- RED or VIOLET wire connects to DALI bus.
- BLACK or GREY wire connects to DALI bus.

Numbered cable installation connection:

- Green/Yellow wire connects to Safety Ground (Earth).
- Number 1 wire connects to Live.
- Number 2 wire connects to Neutral.

Connections to be made inside a junction box with minimum IP44 rating. Connections to be made using appropriately rated terminal blocks. The length of the conductors between the cord

anchorage and the terminals shall be such that, should the cable or cord move out of the cord anchorage, the current-carrying conductors become taut before the earthing conductor.

Connect the DALI control wires to an appropriate DALI bus. NOTE: The DALI bus cannot exceed 300 meters in length. **Do not connect DALI control wires to Live or Neutral supply wires. Never use the DALI control wires for any other purpose than to connect to an appropriate DALI bus.**

- Restore power and verify operation

To properly configure the luminaire for use on the DALI network, please refer to the applicable controller documentation.

Remove protective film, if present, from the High Bay fixture lens.

Maintenance

To avoid personal injury, disconnect power to the light and allow the unit to cool down before performing maintenance.

WARNING: The external flexible cable of this luminaire cannot be replaced; if the cord is damaged, the luminaire must be taken out of service.

Warning: Removal of the lens will void the warranty.

The lens could be cleaned periodically as needed to ensure continued photometric performance. Clean the lens with a damp, non-abrasive, lint-free cloth. If not sufficient, use mild soap or a liquid cleaner.

During any maintenance inspect the cooling fins on the luminaire to ensure that they are free of any obstructions or contamination (i.e. excessive dust build-up). Clean with a non-abrasive cloth if needed.

Electrical Parameters (LED Module Only)

Model No	Max Tc (point)	Supply Current Rating (nominal)	Working Voltage (nominal)
HE*****D****	130°C	0.092A	45V
HE*****G****	130°C	0.092A	46V
HE*****K****	130°C	0.095A	39V
HE*****P****	130°C	0.100A	51V

All statements, technical information, and recommendations contained herein are based on information and tests that Dialight believes to be reliable. The accuracy or completeness thereof is not guaranteed. In accordance with Dialight "Terms and Conditions of Sale" and since conditions of use are outside our control, the purchaser should determine the suitability of the product for his or her intended use and assumes all risk and liability whatsoever in connection therewith.