

.....Dialight



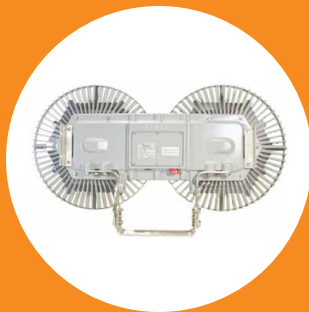
DuroSite® LED Area Light - UL / CSA

for Indoor and Outdoor Industrial Applications



On when it counts.

Products and solutions that protect your business





Features & Benefits

- L70 rated for >150,000 hours @ 25°C
- 5 year full performance warranty
- Instant on/off operation
- Superior color rendition index compared to HPS, LPS, MV
- Mercury free
- Resistant to shock and vibration
- Temperature compensation technology for longer life
- Factory sealed
- Low T-rating compared to traditional fixtures

Application

The DuroSite® LED area light represents the future of energy efficient facility illumination for hazardous locations worldwide. The LED Area Light fixture consumes at least 50% less energy compared to traditional HID light sources, while reducing maintenance and carbon emissions. This light incorporates both cutting edge LED technology along with proprietary optics to achieve area lighting comparable with other traditional light sources.

DuroSite® LED Area Light - UL / CSA

Innovative Mounting Options



Unique hinge-style design

Featuring a unique hinge-style design, the new brackets simplify the installation of fixtures in zero-degree and 45-degree wall, post and stanchion mounting applications.

Ease of Installation

The hinge-style brackets come pre-installed on each fixture to eliminate time consuming bracket assembly in the field. Installers simply mount the bracket to the wall, post or stanchion, and the fixture portion hangs in place on the bracket, leaving the installers' hands free to make electrical connections.

Specifications

Dialight's new Area Light brackets feature a die-cast copper free aluminum housing with 3/4" NPT threaded entries for mounting. The unique design also encloses all wiring connections inside the mounting bracket for maximum protection from the environment. With the easy access wiring compartment, installing your fixture becomes incredibly efficient.



Retrofit to Existing HID Fixtures (not for CID1 applications)



GE Lighting Solutions – Filtr-Gard™
HZXTHGE



Appleton® Mercmaster III
HZXTHAP



Holophane® Petrolux II, III
HZXTHP3



Appleton® Mercmaster II
HZXTHM2



Eaton's Crouse-Hinds – Champ®
HZXTHCH



Thomas & Betts Hazlux®
HZXTHTB

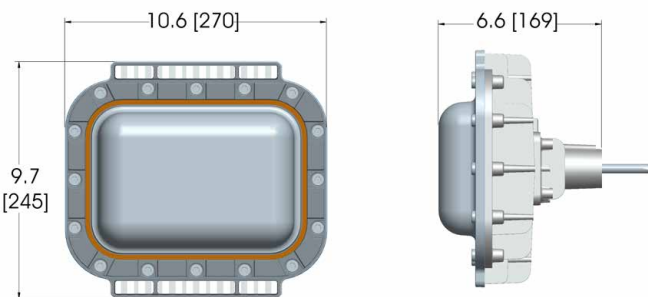


Killark® Certilite® & Certilite® V
HZXTHKL



DuroSite® LED Area Light - UL / CSA

Standard Models



Dimensions in inches [mm]

Certifications & Ratings

- UL 1598/A*
- IP66 / 67
- CSA 22.2*
- NEMA 4X
- ABS Design Assessed: #12-HS942957-PDA

*ETL listed

Mechanical Information:

Fixture weight: 10 lbs (4.5 kg) - Polycarbonate lens
12 lbs (5.5 kg) - Glass lens

Shipping weight: 12 lbs (6.5 kg) - Polycarbonate lens
13 lbs (7.5 kg) - Glass lens

Mounting: 1) Threaded 3/4" NPT rear
(Units with retrofit adapters available)

Cabling: 10' (3.5m) SOOW Power Cord
(Except when ordered with mounting brackets)

Electrical specifications:

Operating Voltage: 100 - 277V AC, 50/60 Hz
347 - 480V AC, 50/60 Hz

Total system power consumption: See table

Operating Temp: -40°F to +149°F (-40°C to +65°C)

Harmonics: IEC 61000-3-2

Noise requirement /EMC: FCC Title 47, Subpart B, Section 15, class A device. RF Immunity; 10V/m, 80MHz-1GHz

Transient protection:
100 - 277V AC 50/60Hz: 1 kV line to line, 2 kV line to ground
347 - 480V AC 50/60Hz: 6 kV line to line, 6 kV line to ground

THD: <20%

Power Factor: > 0.9

Construction:

Housing: Copper free aluminum

Finish: Superior dual coat finish
- Sealed polyester topcoat
- Chemical-resistant epoxy primer

Lens : HZD - polycarbonate (or glass)
HZF - antistatic coated polycarbonate (or glass)

Photometric Information:

CRI: 75

CCT: 5000K (cool white)
4000K (neutral white)

Optics: 180° forward throw
360° circular pattern
Wide throw (aisle way) pattern

IES Files: available at www.dialight.com

All values typical unless otherwise stated (tolerance +/- 10%)

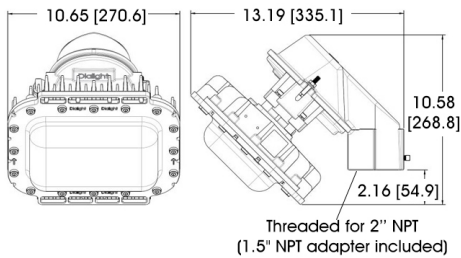
For information on chemical compatibility, please follow this link to reference Dialight's Chemical Compatibility Guide: www.dialight.com/pubs/MDTFCHEMRFLX001.PDF

DuroSite® LED Area Light - UL / CSA

Mounting Bracket Models

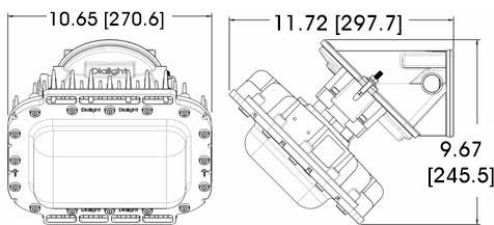


45° Stanchion Mount Models



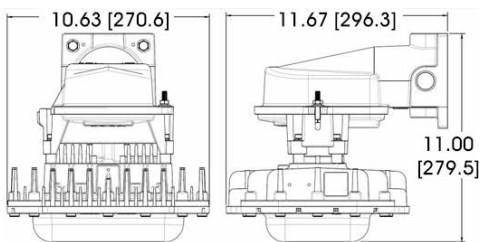
Dimensions in inches [mm]

45° Wall Mount Models



Dimensions in inches [mm]

Wall Mount Models



Dimensions in inches [mm]

Certifications & Ratings

- UL 1598/A*
- IP66 / 67
- CSA 22.2*
- NEMA 4X
- ABS Design Assessed: #12-HS942957-PDA

*ETL listed

Mechanical Information:

Fixture weight:

- Wall mount models: 15 lbs (6.8 kg) - Polycarbonate lens
18 lbs (8.2 kg) - Glass lens
- 45° Wall mount models: 14 lbs (6.4 kg) - Polycarbonate lens
17 lbs (7.8 kg) - Glass lens
- 45° Stanchion mount models: 15 lbs (6.7 kg) - Polycarbonate lens
18 lbs (8.1 kg) - Glass lens

Shipping weight:

- Wall mount models: 17 lbs (8.8 kg) - Polycarbonate lens
20 lbs (10.2 kg) - Glass lens
- 45° Wall mount models: 16 lbs (8.4 kg) - Polycarbonate lens
19 lbs (9.8 kg) - Glass lens
- 45° Stanchion mount models: 17 lbs (8.7 kg) - Polycarbonate lens
20 lbs (10.1 kg) - Glass lens

Mounting:

- 1) Threaded 3/4" NPT rear

Electrical specifications:

Operating Voltage:

- 100 - 277V AC, 50/60 Hz
- 347 - 480V AC, 50/60 Hz

Total system power consumption:

See table

Operating Temp:

-40°F to +149°F (-40°C to +65°C)

Harmonics:

IEC 61000-3-2

Noise requirement /EMC:

FCC Title 47, Subpart B, Section 15, class A device. RF Immunity; 10V/m, 80MHz-1GHz

Transient protection:

- 100 - 277V AC 50/60Hz: 1 kV line to line, 2 kV line to ground
- 347 - 480V AC 50/60Hz: 6 kV line to line, 6 kV line to ground

THD:

< 20%

Power Factor:

> 0.9

Construction:

Housing:

Copper free aluminum

Finish:

- Superior dual coat finish
- Sealed polyester topcoat
- Chemical-resistant epoxy primer

Lens :

- HZD - polycarbonate (or glass)
- HZF - antistatic coated polycarbonate (or glass)

Photometric Information:

CRI:

>70

CCT:

- 5000K (cool white)
- 4000K (neutral white)

Optics:

- 180° forward throw
- 360° circular pattern
- Wide throw (aisle way) pattern

IES Files:

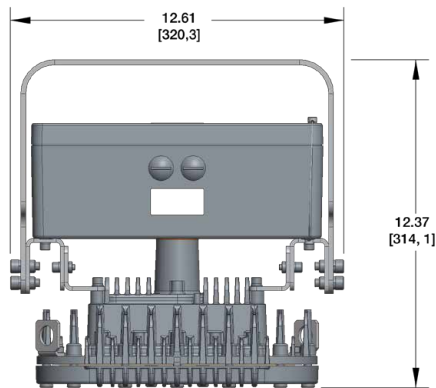
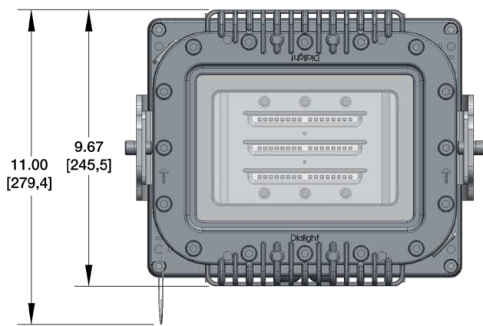
available at www.dialight.com

All values typical unless otherwise stated (tolerance +/- 10%)

*For information on chemical compatibility, please follow this link to reference Dialight's Chemical Compatibility Guide: www.dialight.com/pubs/MDTFCHEMFLX001.PDF

DuroSite® LED Area Light - UL / CSA

Battery Backup Model



Dimensions in inches [mm]

Certifications & Ratings

- UL 1598*
- CSA 22.2 No. 137*
- IP66

*ETL listed

Mechanical Information:

Fixture weight:	37 lbs (16.78 kg) - Glass lens 35 lbs (15.88 kg) - Polycarbonate lens
Shipping weight:	39 lbs (17.7 kg) - Glass lens 37 lbs (16.8 kg) - Polycarbonate lens
Mounting:	Adjustable bracket

Electrical Specifications:

Operating voltage:	100 - 277V AC, 50/60 Hz
Total system power consumption:	86W
Operating temperature:	-4°F to +149°F (-20°C to +65°C)
Battery:	10Ah NiMH
Expected battery life:	4 years
Battery duration:	> 3 hours
Battery mode output:	2,000lm
Noise requirement/EMC:	FCC Title 47, Subpart B, Section 15, class A device. RF Immunity; 10V/m, 80MHz-1GHz
Surge protection:	1 kV line to line 2 kV line to ground
THD:	< 20%
Power factor:	> 0.9

Construction:

Housing:	Aluminum
Finish:	Superior dual coat finish - Sealed polyester topcoat - Chemical-resistant epoxy primer
Body:	Powder coated aluminum
Lens :	Polycarbonate (or glass)

Photometric Information:

CRI:	75
CCT:	5000K (cool white) 4000K (neutral white)
Optics:	180° forward throw 360° circular pattern

All values typical unless otherwise stated (tolerance +/- 10%)

*For information on chemical compatibility, please follow this link to reference Dialight's Chemical Compatibility Guide: www.dialight.com/pubs/MDTFCHEMRFLX001.PDF

DuroSite® LED Area Light - UL / CSA

Retrofit Options Overview

HZDXXXX models can be ordered with factory installed retrofit adapter by adding **K**, **A**, **C**, **G**, or **M** to the end of the part number. For example, STW8C2NC becomes STW8C2NC**K**. Please consult factory when ordering.

C = Eaton's Crouse-Hinds – Champ® **T** = Thomas & Betts Hazlux®
A = Appleton® Mercmaster III **K** = Killark® Certilite® & Certilite® V
M = Appleton® Mercmaster II **G** = GE Lighting Solutions – Filtr-Gard™

Petrolux adapter available as a standalone accessory only



Eaton's Crouse-Hinds – Champ® - HZXTHCH				
Pendant	Ceiling	Wall	Stanchion	Quad Mount
APM2	CM2	TWM2	JM5	QM25
APM3	CM3	TWM3	PM5	
HPM2				



GE Lighting Solutions – Filtr-Gard™ - HZXTHGE				
Pendant	Ceiling	Wall	Stanchion	Quad Mount
3P	3F	3C	3W	5S
4P	4F		4W	6S
				5J, 6J



Holophane® Petrolux II, III - HZXTHP3				
Pendant	Universal	Stanchion	Ceiling	Wall
PD	UN	SA	CD	WL
GH		ST	CE	W
P		A	B, C, D	



Thomas & Betts Hazlux® - HZXTHTB				
Pendant	Pendant Cone	Flexible Pendant	Ceiling	Wall
VP2	VA2	VF2	VC2	VB2
VP3	VA3	VF3	VC3	VB3
Wall	25° Angle Stanchion	25° Angle Stanchion	Straight Stanchion	Straight Stanchion
VB2-VIB	VS4	VS4-VIB	VL4	VL4-VIB
VB3-VIB	VS5	VS5-VIB	VL5	VL5-VIB



Appleton® Mercmaster III - HZXTHAP			
Pendant	Ceiling	Wall	Stanchion
KPA- 75, 100	KPC-75	KPWB-75	KPS-125
KPAF-75, 100	KPC-100	KPWB-100	KPS-150
KPCH-75, 100			KPST-125
			KPST-150



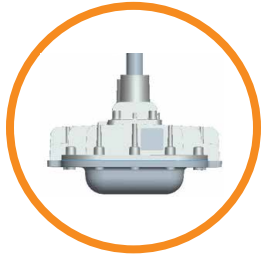
Appleton® Mercmaster II - HZXTHM2			
Pendant	Ceiling	Wall	Stanchion
LPA-75	LPC-75	LPWB-75	LPS-125
LPA-100	LPC-100	LPWB-100	LPS-150



Killark® Certilite® & Certilite® V - HZXTHKL			
Pendant	Ceiling	Wall	Stanchion
VMA2B & VMA-2	VMX2B & VMX-2	VMB2B & VMB-2	VMD4B
VMA3B & VMA-3	VMX3B & VMX-3	VMB3B & VMB-3	VMD5B
VMC2B & VMC-2	VMX6B, 7B, 8B, 9B		VMS5B
VMC3B & VMC-3			
VMF2B, 3B			

DuroSite® LED Area Light - UL / CSA

Mounting Overview



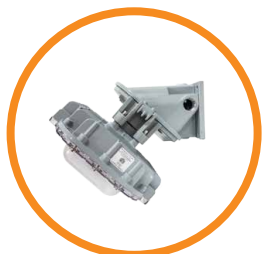
3/4" NPT Pendant & Conduit Mount

Part Number	Description
STWxxxx	Glass or Polycarbonate lens 180° / 360° / wide throw optics



Stanchion & Pole Mounting

Part Number	Description
STWxxxx	Glass or Polycarbonate lens 180° / 360° / wide throw optics
HZXSTANxxxx	1.00" - 2.00' Slip-fit or NPT stanchion mount junction box
HZXW3	Stainless steel mounting brackets 0°, 45°, 90° angles
HZXW7	Aluminum mounting brackets 0°, 45°, 90° angles
STWxxxxS45	Area Light with 45° stanchion mount bracket included Glass or Polycarbonate lens 180° optics or wide throw optics



Ceiling & Wall Mounting

Part Number	Description
STWxxxx	Glass or Polycarbonate lens 180° / 360° / wide throw optics
HZXJBxxx	0.75" - 1.05" ceiling / wall / pole mount junction box
STWxxxxW01	Area Light with 0° wall mount bracket included Glass or Polycarbonate lens 360° wide throw optics
STWxxxxW45	Area Light with 45° wall mount bracket included Glass or Polycarbonate lens 180° optics

DuroSite® LED Area Light - UL / CSA

Mounting Accessories



STWxxxxUMA

STWxxxx, HZDxxxx, and HZFxxxx fixtures are now available with a universal mounting adapter factory installed by adding UMA to the end of the part number. Th choose from one of the three available mounting options:



Wall Mount - HZXW01



45° Wall Mount - HZXW45



45° Stanchion Mount - HZXS45



HZXSTAN100S

- 1.00" (1.315" Pole OD) Slip-fit stanchion mount junction box

HZXSTAN125S

- 1.25" (1.660" Pole OD) Slip-fit stanchion mount junction box

HZXSTAN150S

- 1.50" (1.900" Pole OD) Slip-fit stanchion mount junction box

HZXSTAN200S

- 2.00" (2.375" Pole OD) Slip-fit stanchion mount junction box



HZXSTAN100T

- 1.00" (1.315" Pole OD) NPT Threaded stanchion mount junction box

HZXSTAN125T

- 1.25" (1.660" Pole OD) NPT Threaded stanchion mount junction box

HZXSTAN150T

- 1.50" (1.900" Pole OD) NPT Threaded stanchion mount junction box

HZXSTAN200T

- 2.00" (2.375" Pole OD) NPT Threaded stanchion mount junction box



HZXW3

- Stainless steel bracket

HZXW7

- Aluminum bracket



HZXW4

- Stainless steel bracket with pipe clamp

HZXW8

- Aluminum bracket with pipe clamp



HZXSAFEKIT

- Safety cable kit



HZXSAFETABS

- Safety tabs



HZXJB075

- 0.75" Ceiling / wall / pole mount junction box

HZXJB100

- 1.00" Pole mount junction box

HZXJB125

- 1.25" Pole mount junction box

HZXJB150

- 1.50" Pole mount junction box



HZXJB075PC1

- 0.75" Junction box

HZXJB100PC1

- 1.00" Junction box

HZXJB125PC1

- 1.25" Junction box

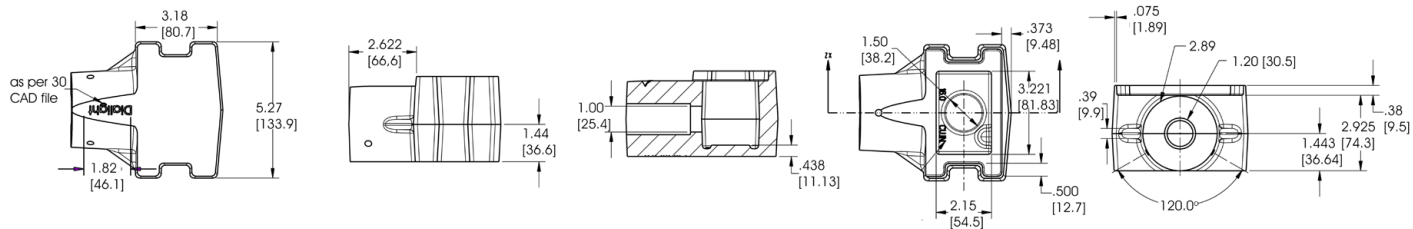
HZXJB150PC1

- 1.50" Junction box

DuroSite® LED Area Light - UL / CSA

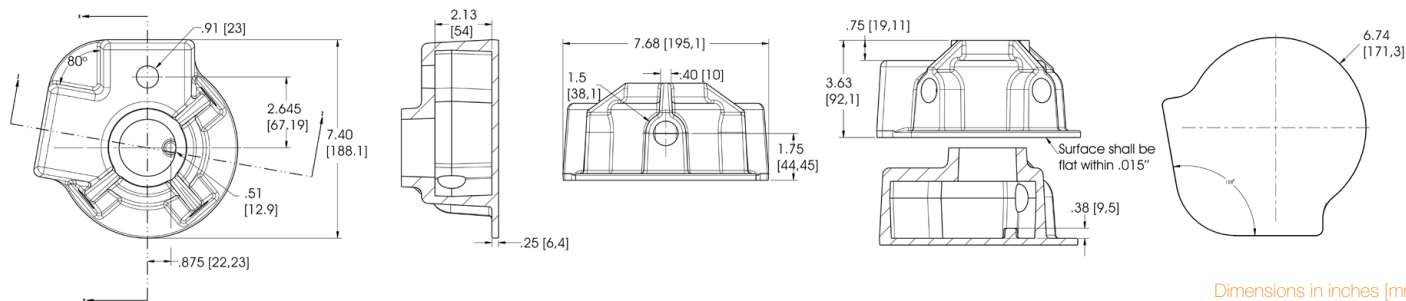
Mounting Bracket Dimensions

HZXSTANXXXX



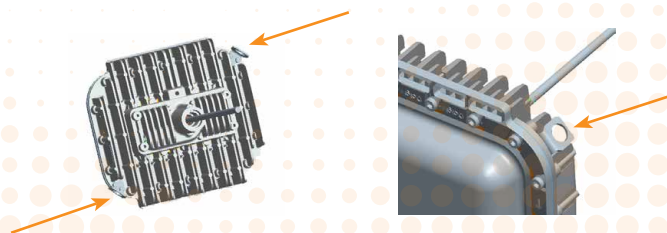
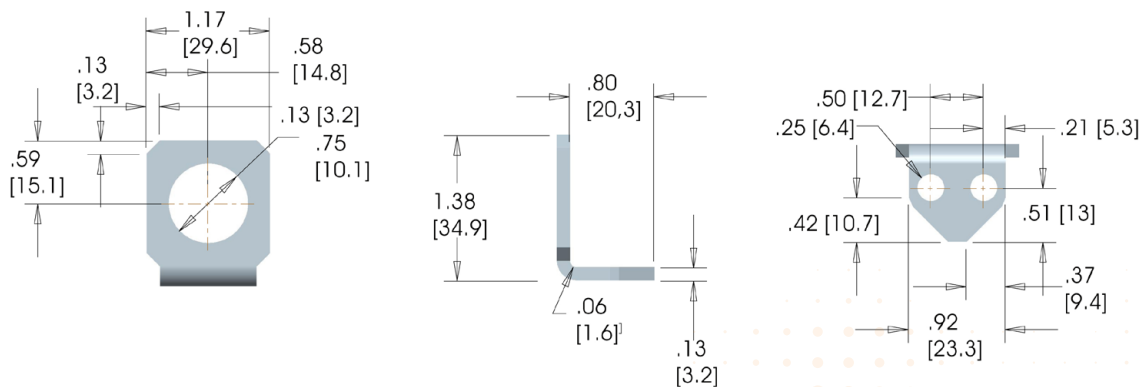
Dimensions in inches [mm]

HZXJBXXX and HZXJBXXXXXX



Dimensions in inches [mm]

HZXSAFEKIT and HZXSAFETABS



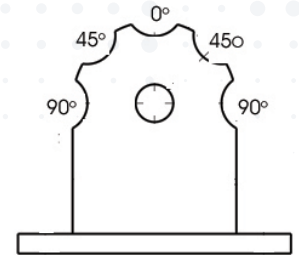
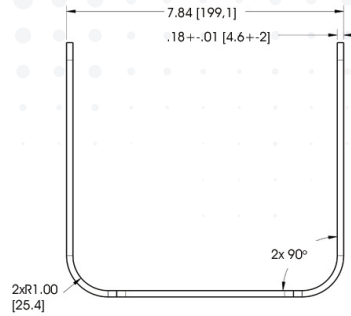
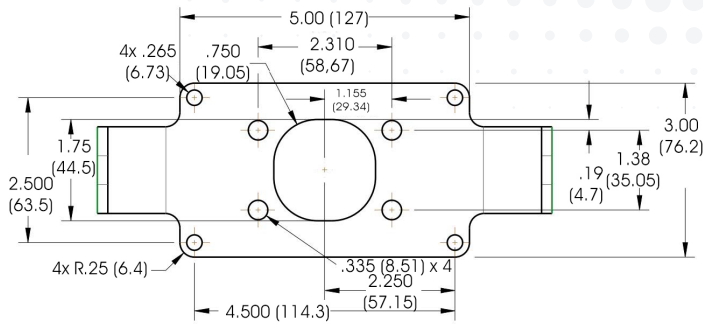
Dimensions in inches [mm]

DuroSite® LED Area Light - UL / CSA

Mounting Bracket Dimensions

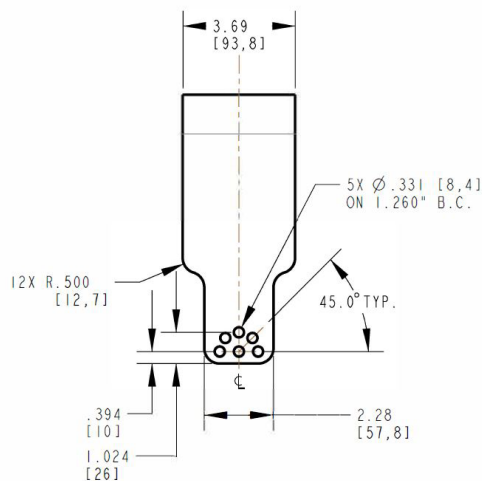
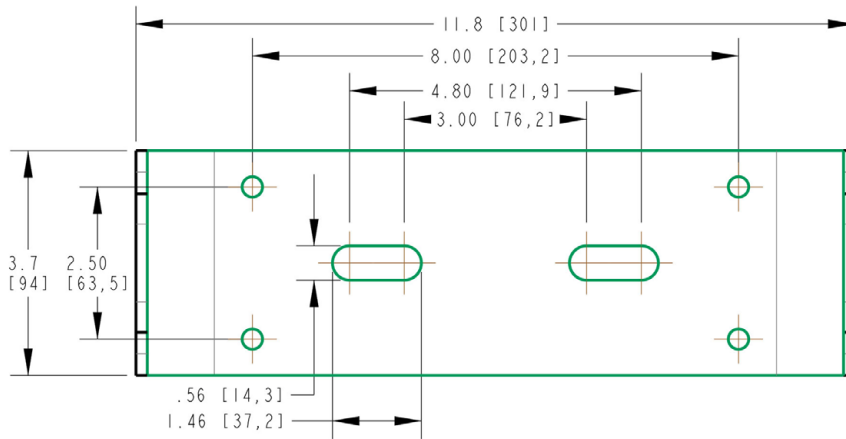
HZXW3, HZXW4, HZXW7, AND HZXW8

.25" thick; HZXW4 and HZXW8 will mount to 1.5" conduit and comes with pipe mount clamps.



Dimensions in inches [mm]

Battery Backup model bracket

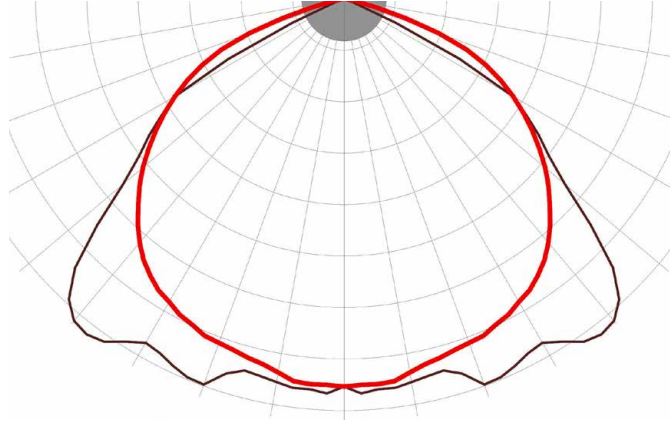


Dimensions in inches [mm]

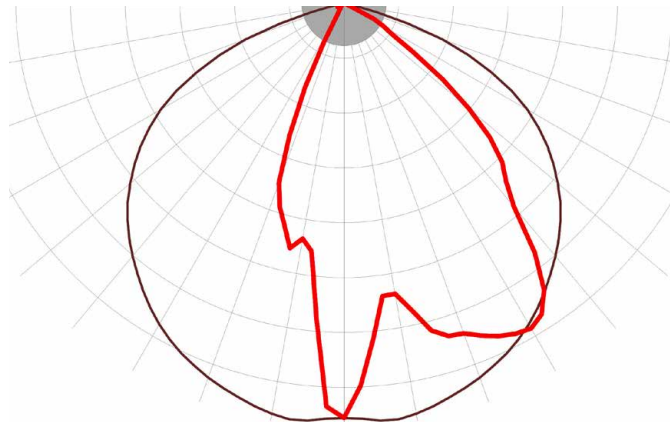
DuroSite® LED Area Light - UL / CSA

Optical Patterns

360° Optical Pattern

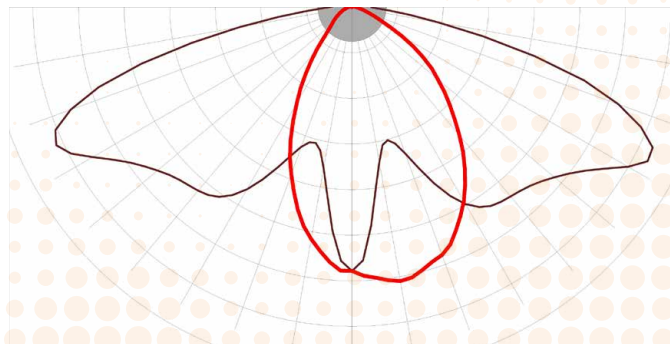


180° Optical Pattern



180° optical pattern models are optimized for a 45° mounting angle

Wide Throw Optical Pattern



DuroSite® LED Area Light - UL / CSA

Standard Models / Battery Backup Models - Ordering Information

Part Number	Type	Fixture Lumen	Watt	LPW	Warranty	Voltage	CCT	Lens	Optical Pattern
Standard Models - 100 - 277V AC									
STWFC2N	Standard model	7,000	68	101	5yr	100 - 277 V AC	5000K (cool white)	Polycarbonate	360
STWEC2N	Standard model	7,000	68	101	5yr	100 - 277 V AC	5000K (cool white)	Polycarbonate	180
STW9C2N	Standard model	6,000	57	105	5yr	100 - 277 V AC	5000K (cool white)	Polycarbonate	360
STW8C2N	Standard model	6,000	57	105	5yr	100 - 277 V AC	5000K (cool white)	Polycarbonate	180
STW5C2N	Standard model	5,000	47	106	5yr	100 - 277 V AC	5000K (cool white)	Polycarbonate	360
STW4C2N	Standard model	5,000	47	106	5yr	100 - 277 V AC	5000K (cool white)	Polycarbonate	180
STWWC2N	Standard model	4,100	55	72	5yr	100 - 277 V AC	5000K (cool white)	Polycarbonate	Wide Throw
STW3C2N	Standard model	4,000	38	105	5yr	100 - 277 V AC	5000K (cool white)	Polycarbonate	360
STW2C2N	Standard model	4,000	38	105	5yr	100 - 277 V AC	5000K (cool white)	Polycarbonate	180
STW1C2N	Standard model	2,200	21	105	5yr	100 - 277 V AC	5000K (cool white)	Polycarbonate	360
STW0C2N	Standard model	2,200	21	105	5yr	100 - 277 V AC	5000K (cool white)	Polycarbonate	180
Standard Models - 24 - 48V DC									
STWFC8N	Standard model	7,000	71	99	5yr	24 - 48V DC	5000K (cool white)	Polycarbonate	360
STWEC8N	Standard model	7,000	71	99	5yr	24 - 48V DC	5000K (cool white)	Polycarbonate	180
STW5C8N	Standard model	5,000	49	102	5yr	24 - 48V DC	5000K (cool white)	Polycarbonate	360
STW4C8N	Standard model	5,000	49	102	5yr	24 - 48V DC	5000K (cool white)	Polycarbonate	180
STW1C8N	Standard model	5,000	49	102	5yr	24 - 48V DC	5000K (cool white)	Polycarbonate	360
STW0C8N	Standard model	3,000	27	111	5yr	24 - 48V DC	5000K (cool white)	Polycarbonate	180
Battery Backup Models - 100 - 277V AC									
STWFCEN	Battery backup	7,500	85	88	5yr	100 - 277 V AC	5000K (cool white)	Polycarbonate	360
STWECEN	Battery backup	7,500	85	88	5yr	100 - 277 V AC	5000K (cool white)	Polycarbonate	180

All values typical unless otherwise stated. Lumen values are typical (tolerance +/- 10%).

180° optical pattern models are optimized for a 45° mounting angle.

Part numbers listed in the above table are 5000K (cool white). For 4000K (neutral white) model replace the 5th character with **N** Ex: STW2**C**2N becomes STW2**N**2N.

Part numbers listed in the above table are 100-277V AC or 24-48V DC. For 347-480V AC model replace the 6th character with **9** Ex: STW2**C**2N becomes STW2**C**9N

Part numbers listed in the tables above come with a polycarbonate lens. For models needing a glass lens, replace the 7th character with a **G** Ex: STW2**C**2**N** becomes STW2**C**2**G**.

Wide optical pattern models are available with polycarbonate lens only.

DuroSite® LED Area Light - UL / CSA

Mounting Bracket Models - Ordering Information

Part Number	Type	Fixture Lumen	Watt	LPW	Warranty	Voltage	CCT	Lens	Optical Pattern
Wall Mount - 100 - 277V AC									
STWFC2NW01	Wall Mount	7,000	68	103	5yr	100 - 277 V AC	5000K (cool white)	Polycarbonate	360
STW9C2NW01	Wall Mount	6,000	57	105	5yr	100 - 277 V AC	5000K (cool white)	Polycarbonate	360
STW5C2NW01	Wall Mount	5,000	47	106	5yr	100 - 277 V AC	5000K (cool white)	Polycarbonate	360
STWWC2NW01	Wall Mount	4,100	55	72	5yr	100 - 277 V AC	5000K (cool white)	Polycarbonate	Wide Throw
STW3C2NW01	Wall Mount	4,000	38	105	5yr	100 - 277 V AC	5000K (cool white)	Polycarbonate	360
STW1C2NW01	Wall Mount	2,200	21	105	5yr	100 - 277 V AC	5000K (cool white)	Polycarbonate	360
45° Wall Mount - 100 - 277V AC									
STWFC2NW45	45° Wall Mount	7,000	68	103	5yr	100 - 277 V AC	5000K (cool white)	Polycarbonate	360
STWEC2NW45	45° Wall Mount	7,000	68	103	5yr	100 - 277 V AC	5000K (cool white)	Polycarbonate	180
STW9C2NW45	45° Wall Mount	6,000	57	105	5yr	100 - 277 V AC	5000K (cool white)	Polycarbonate	360
STW8C2NW45	45° Wall Mount	6,000	57	105	5yr	100 - 277 V AC	5000K (cool white)	Polycarbonate	180
STW5C2NW45	45° Wall Mount	5,000	47	106	5yr	100 - 277 V AC	5000K (cool white)	Polycarbonate	360
STW4C2NW45	45° Wall Mount	4,700	47	100	5yr	100 - 277 V AC	5000K (cool white)	Polycarbonate	180
STWWC2NW45	45° Wall Mount	4,100	55	72	5yr	100 - 277 V AC	5000K (cool white)	Polycarbonate	Wide Throw
STW3C2NW45	45° Wall Mount	4,000	38	105	5yr	100 - 277 V AC	5000K (cool white)	Polycarbonate	360
STW2C2NW45	45° Wall Mount	4,000	38	105	5yr	100 - 277 V AC	5000K (cool white)	Polycarbonate	180
STW1C2NW45	45° Wall Mount	2,200	21	105	5yr	100 - 277 V AC	5000K (cool white)	Polycarbonate	360
STW0C2NW45	45° Wall Mount	2,200	21	105	5yr	100 - 277 V AC	5000K (cool white)	Polycarbonate	180
45° Stanchion Mount Bracket - 100 - 277V AC									
STWFC2NS45	45° Stanchion Mount	7,000	68	103	5yr	100 - 277 V AC	5000K (cool white)	Polycarbonate	360
STWEC2NS45	45° Stanchion Mount	7,000	68	103	5yr	100 - 277 V AC	5000K (cool white)	Polycarbonate	180
STW9C2NS45	45° Stanchion Mount	6,000	57	105	5yr	100 - 277 V AC	5000K (cool white)	Polycarbonate	360
STW8C2NS45	45° Stanchion Mount	6,000	57	105	5yr	100 - 277 V AC	5000K (cool white)	Polycarbonate	180
STW5C2NS45	45° Stanchion Mount	5,000	47	106	5yr	100 - 277 V AC	5000K (cool white)	Polycarbonate	360
STW4C2NS45	45° Stanchion Mount	4,700	47	100	5yr	100 - 277 V AC	5000K (cool white)	Polycarbonate	180
STWWC2NS45	45° Stanchion Mount	4,100	55	72	5yr	100 - 277 V AC	5000K (cool white)	Polycarbonate	Wide Throw
STW3C2NS45	45° Stanchion Mount	4,000	38	105	5yr	100 - 277 V AC	5000K (cool white)	Polycarbonate	360
STW2C2NS45	45° Stanchion Mount	4,000	38	105	5yr	100 - 277 V AC	5000K (cool white)	Polycarbonate	180
STW1C2NS45	45° Stanchion Mount	2,200	21	105	5yr	100 - 277 V AC	5000K (cool white)	Polycarbonate	360
STW0C2NS45	45° Stanchion Mount	2,200	21	105	5yr	100 - 277 V AC	5000K (cool white)	Polycarbonate	180

All values typical unless otherwise stated. Lumen values are typical (tolerance +/- 10%).

180° optical pattern models are optimized for a 45° mounting angle.

Part numbers listed in the above table are 5000K (cool white). For 4000K (neutral white) model replace the 5th character with **N** Ex: STW2**C**2N becomes STW2**N**2N.

Part numbers listed in the above table are 100-277V AC. For 347-480V AC model replace the 6th character with **9** Ex: STW2**C**2N becomes STW2**C9**N.

Part numbers listed in the above table are 100-277V AC. For 24-48V DC model replace the 6th character with **8** Ex: STWFC2**N**W01 becomes STWFC**8**NW01.

Part numbers listed in the tables above come with a polycarbonate lens. For models needing a glass lens, replace the 7th character with a **G** Ex: STW2**C**2**N** becomes STW2**C2G**.

Wide optical pattern models are available with polycarbonate lens only.

