



Vigilant LED High Bay- UL/ CSA Mounting Guide

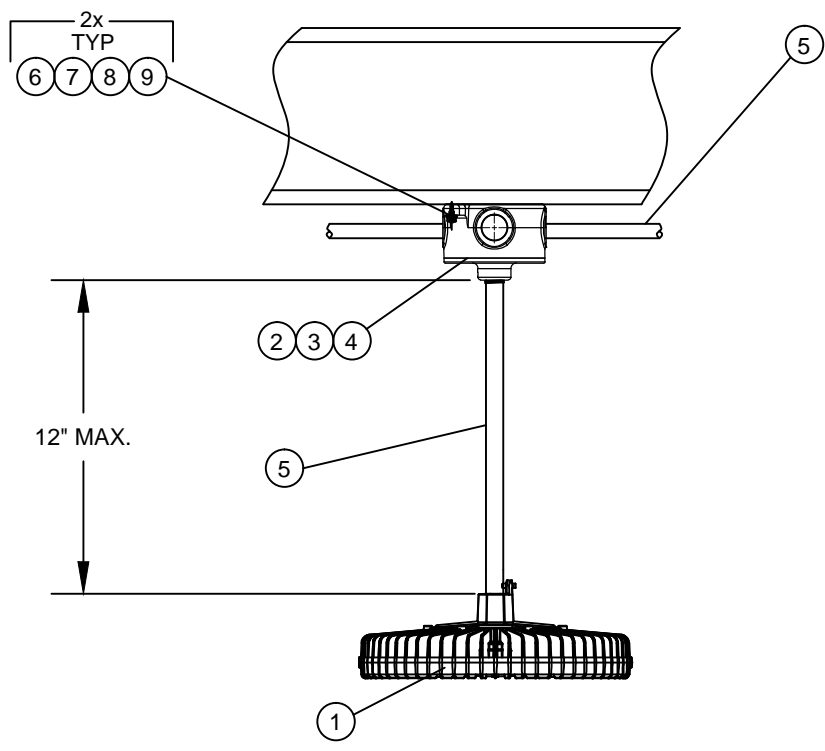
DISCLAIMER: This document is for illustration purposes only. It does not constitute advice, instructions or a manual for the installation of Dialight goods and should not be treated as such. Dialight accepts no liability where this document is used for such purposes. The customer is responsible for compliance with local and national safety laws, best practice codes, and applicable standards when installing electrical equipment and should ensure they adhere to the same.



 Dialight


MDEXVHBMGX001_A

ITEM #	DESCRIPTION	QUANTITY
1	HIGH BAY FIXTURE, DIALIGHT CAT. NO. HBXXXXX	1
2	JUNCTION BOX, UL APPROVED, LUMINARE HANGER, SUPPLIED BY OTHERS	1
3	GASKET, NEOPRENE, SUPPLIED BY OTHERS	1
4	JUNCTION BOX COVER w/LUMINARE HANGER, SUPPLIED BY OTHERS	1
5	CONDUIT, 3/4", RIGID STEEL GALVANIZED, SUPPLIED BY OTHERS	AS REQ'D
6	THREADED STUD, 1/4"-20 x 3/4", SUPPLIED BY OTHERS	2
7	FLAT WASHER, 1/4", HD GALV., SUPPLIED BY OTHERS	2
8	LOCK WASHER, 1/4", HD GALV., SUPPLIED BY OTHERS	2
9	HEX NUT, 1/4"-20, HD GALV., SUPPLIED BY OTHERS	2



NOTES:
1. SKETCH IS NOT DRAWN TO SCALE

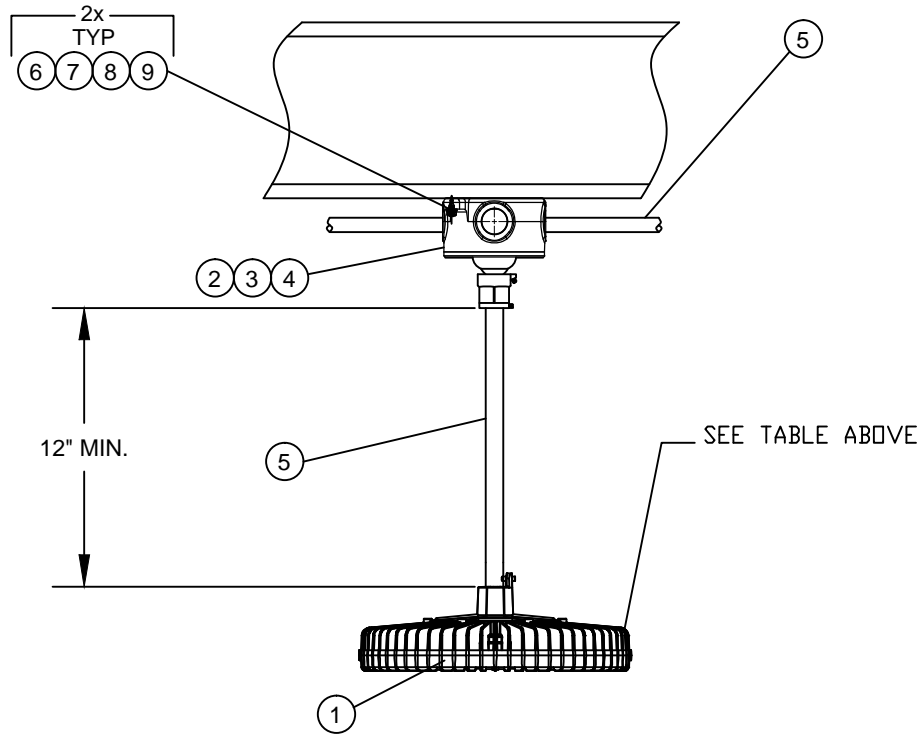
SHEET #	FIXTURE TYPE	REV NO.	DATE	DESCRIPTION	DWN	CHK	APP
_1 OF _1	--	01	01/05/15	DETAILED INSTALLATION DRAWING	BS	SB	JP

 1501 ROUTE 34 FARMINGDALE, NJ, 07727	DOCUMENT TITLE:		DOCUMENT NO.		REV
	HIGH BAY FIXTURE DUROSITE PENDANT DROP LESS THAN 12" UNCLASSIFIED		HB-W-G-00-001		01

DISCLAIMER:
This document is for illustration purposes only. It does not constitute advice, instructions or a manual for the installation of Dialight goods and should not be treated as such. Dialight accepts no liability where this document is used for such purposes. The customer is responsible for compliance with local and national safety laws, best practice codes, and applicable standards when installing electrical equipment and should ensure they adhere to the same.

\\Fs01\public\Dialight_Website_Drawing_Files\High Bay\Brilliant\UL+CSA\26k+18k+14k+11K\DuroSite\HB-W-G-00-001.dwg


ITEM #	DESCRIPTION	QUANTITY
1	HIGH BAY FIXTURE, DIALIGHT CAT. NO. HBXXXXX	1
2	JUNCTION BOX, LUMINARE HANGER, SUPPLIED BY OTHERS	1
3	GASKET, NEOPRENE, SUPPLIED BY OTHERS	1
4	JUNCTION BOX COVER w/LUMINARE HANGER, FLEXIBLE MOUNT, SUPPLIED BY OTHERS	1
5	CONDUIT, 3/4", RIGID STEEL GALVANIZED, SUPPLIED BY OTHERS	AS REQ'D
6	THREADED STUD, 1/4"-20 x 3/4", SUPPLIED BY OTHERS	2
7	FLAT WASHER, 1/4", HD GALV., SUPPLIED BY OTHERS	2
8	LOCK WASHER, 1/4", HD GALV., SUPPLIED BY OTHERS	2
9	HEX NUT, 1/4"-20, HD GALV., SUPPLIED BY OTHERS	2



NOTES:

1. SKETCH IS NOT DRAWN TO SCALE

SHEET #	FIXTURE TYPE	REV NO.	DATE	DESCRIPTION	DWN	CHK	APP
# 1 OF 1	--	01	01/05/15	DETAILED INSTALLATION DRAWING	BS	SB	JP

 1501 ROUTE 34 FARMINGDALE, NJ, 07727	DOCUMENT TITLE:		DOCUMENT NO.		REV
	HIGH BAY FIXTURE DUROSITE PENDANT DROP GREATER THAN 12" UNCLASSIFIED		HB-W-G-00-002		01

DISCLAIMER:
 This document is for illustration purposes only. It does not constitute advice, instructions or a manual for the installation of Dialight goods and should not be treated as such. Dialight accepts no liability where this document is used for such purposes. The customer is responsible for compliance with local and national safety laws, best practice codes, and applicable standards when installing electrical equipment and should ensure they adhere to the same.

\\f01\public\Dialight_Website_Drawing_Files\High_Bay\Vigilant\UL+CSA\26K+18K+14K+11K\DUrosite\HB-W-G-00-002.dwg