



Vigilant LED High Bay Controls - Jennet Mounting Guide

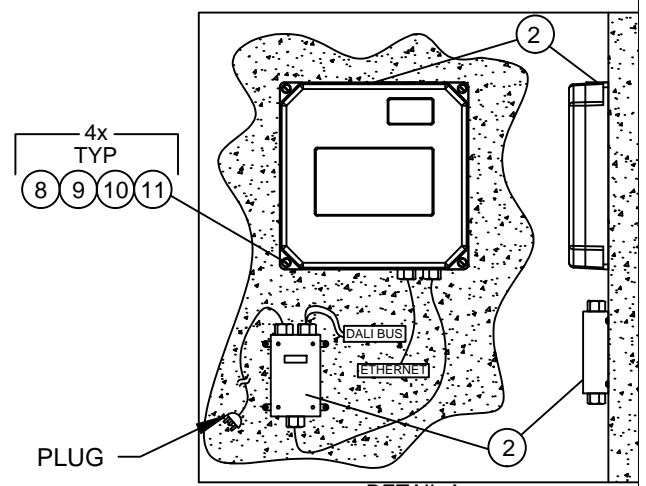
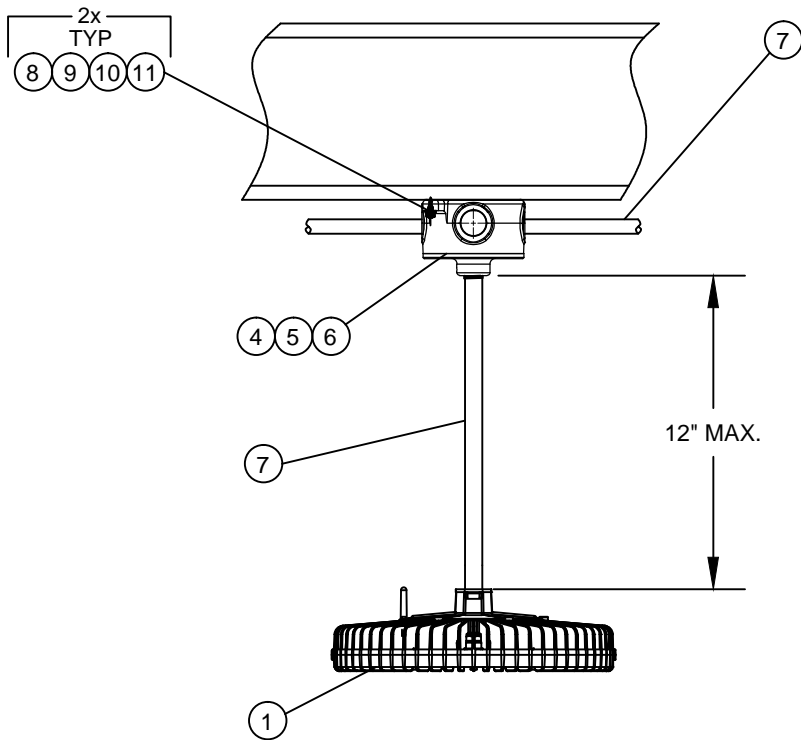
DISCLAIMER: This document is for illustration purposes only. It does not constitute advice, instructions or a manual for the installation of Dialight goods and should not be treated as such. Dialight accepts no liability where this document is used for such purposes. The customer is responsible for compliance with local and national safety laws, best practice codes, and applicable standards when installing electrical equipment and should ensure they adhere to the same.



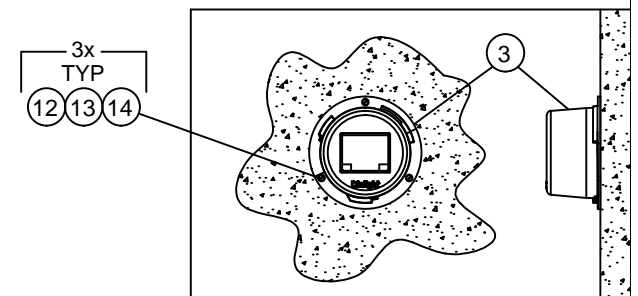
 Dialight

MDEXCOJMGX001_A

ITEM #	DESCRIPTION	QUANTITY
1	HIGH BAY FIXTURE w/JENNET, DIALIGHT CAT. NO. HEXXXXXJXXX	1
2	WALL CONTROLLER w/JUNCTION BOX, DIALIGHT CAT. NO. WLC004MBAL	1
3	OCC SENSOR, DIALIGHT CAT. NO. WDSU12BG (OPTIONAL)	1
4	JUNCTION BOX, UL APPROVED, LUMINAIRE HANGER, SUPPLIED BY OTHERS	1
5	GASKET, NEOPRENE, SUPPLIED BY OTHERS	1
6	JUNCTION BOX COVER w/LUMINAIRE HANGER, SUPPLIED BY OTHERS	1
7	CONDUIT, 3/4", RIGID STEEL GALVANIZED, SUPPLIED BY OTHERS	AS REQ'D
8	THREADED STUD, 1/4"-20 x 3/4", SUPPLIED BY OTHERS	6
9	FLAT WASHER, 1/4", HD GALV., SUPPLIED BY OTHERS	6
10	LOCK WASHER, 1/4", HD GALV., SUPPLIED BY OTHERS	6
11	HEX NUT, 1/4"-20, HD GALV., SUPPLIED BY OTHERS	6
12	#8 PLYWOOD TAPPING SCREW OR TOGGLE BOLT, SUPPLIED BY OTHERS	3
13	#8 FLAT WASHER, SUPPLIED BY OTHERS	3
14	#8 LOCK WASHER, SUPPLIED BY OTHERS	3



DETAIL A
WALL CONTROLLER w/JUNCTION BOX MOUNT (REQUIRED)



DETAIL B
OCC SENSOR MOUNT (OPTIONAL)

NOTES:

1. SKETCH IS NOT DRAWN TO SCALE.
2. SEE WIRING DIAGRAM ON SHEET 2.

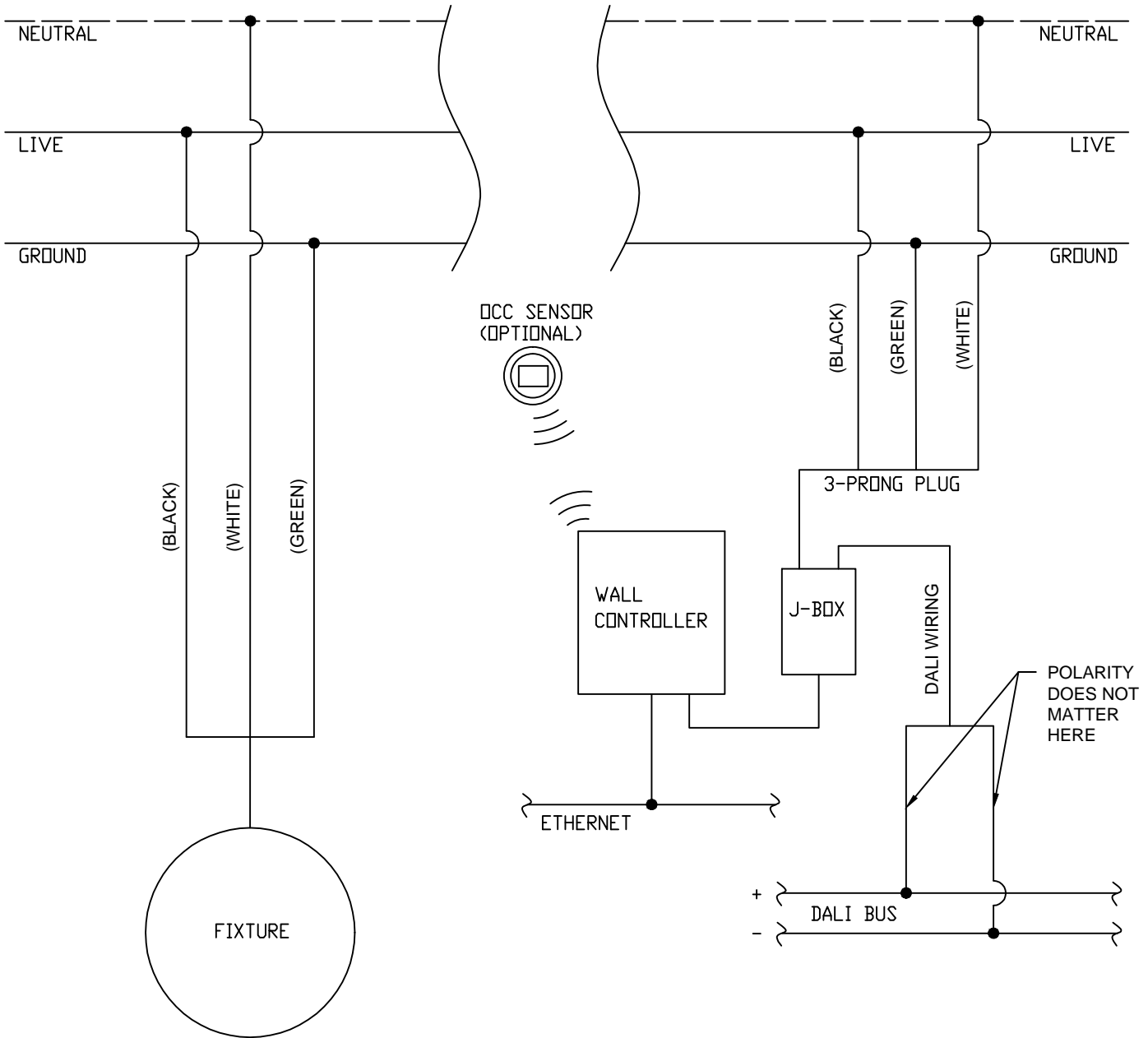
SHEET # <u>1</u> OF <u>2</u>	FIXTURE TYPE --	REV NO. 01	DATE 01/09/15	DESCRIPTION DETAILED INSTALLATION DRAWING	DWN BS	CHK SB	APP JP
------------------------------	--------------------	---------------	------------------	--	-----------	-----------	-----------

<p>1501 ROUTE 34 FARMINGDALE, NJ, 07727</p>	DOCUMENT TITLE:	DOCUMENT NO.	REV
	HIGH BAY FIXTURE VIGILANT w/JENNET PENDANT DROP LESS THAN 12" UNCLASSIFIED	HB-W-G-00-003	01


DISCLAIMER:
This document is for illustration purposes only. It does not constitute advice, instructions or a manual for the installation of Dialight goods and should not be treated as such. Dialight accepts no liability where this document is used for such purposes. The customer is responsible for compliance with local and national safety laws, best practice codes, and applicable standards when installing electrical equipment and should ensure they adhere to the same.

\\F01\public\Dialight_Website_Drawing_Files\High Bay\Vigilant with Controls\UL+CSA 26K+18K+14K+11K\DuroSite w/Jennet\HB-W-G-00-003.dwg

FACILITY BRANCH CIRCUIT(S)



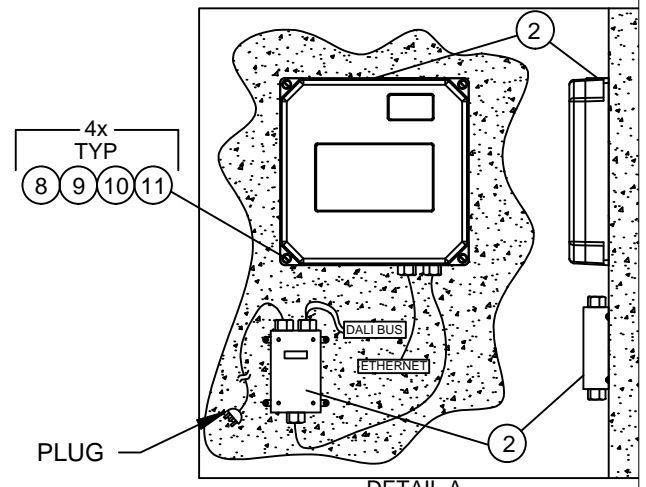
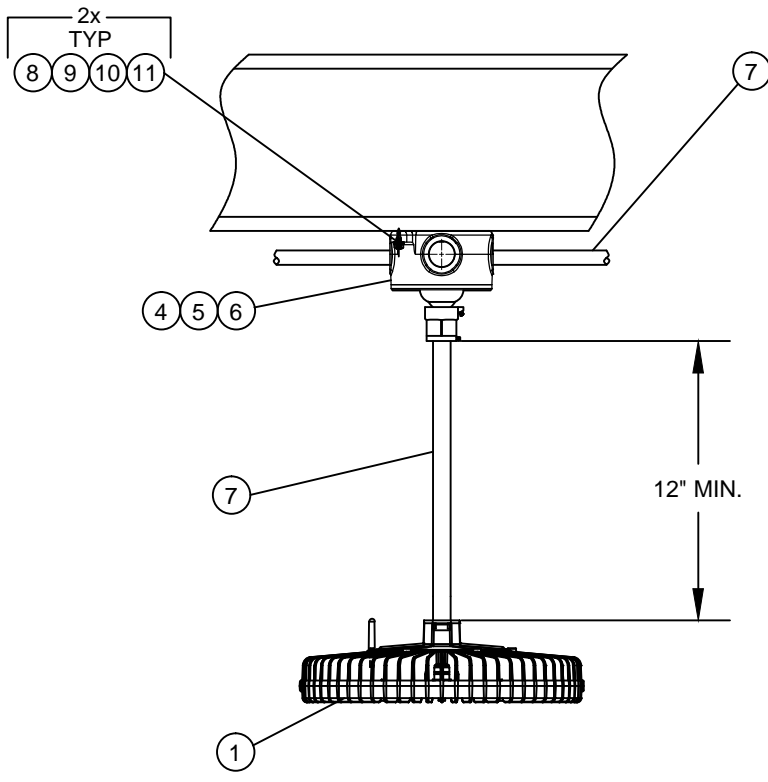
\\F01\public\Dialight_Website_Drawing_Files\High Bay\Vigilant with Controls\UL+CSA\26K+18K+14K+11K\DuroSite w/Jennet\HB-W-G-00-003.dwg

SHEET # <u>2</u> of <u>2</u>	FIXTURE TYPE --	REV NO. 01	DATE 01/09/15	DESCRIPTION DETAILED INSTALLATION DRAWING	DWN BS	CHK SB	APP JP
 1501 ROUTE 34 FARMINGDALE, NJ, 07727	DOCUMENT TITLE: HIGH BAY FIXTURE VIGILANT w/JENNET PENDANT DROP LESS THAN 12" UNCLASSIFIED			DOCUMENT NO. HB-W-G-00-003		REV 01	

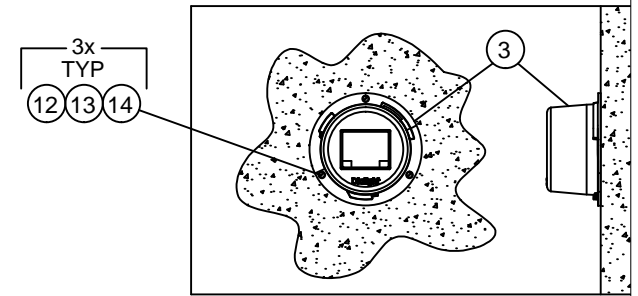
DISCLAIMER:

This document is for illustration purposes only. It does not constitute advice, instructions or a manual for the installation of Dialight goods and should not be treated as such. Dialight accepts no liability where this document is used for such purposes. The customer is responsible for compliance with local and national safety laws, best practice codes, and applicable standards when installing electrical equipment and should ensure they adhere to the same.

ITEM #	DESCRIPTION	QUANTITY
1	HIGH BAY FIXTURE w/JENNET, DIALIGHT CAT. NO. HEXXXXXJXXX	1
2	WALL CONTROLLER w/JUNCTION BOX, DIALIGHT CAT. NO. WLC004MBAL	1
3	OCC SENSOR, DIALIGHT CAT. NO. WDSU12BG (OPTIONAL)	1
4	JUNCTION BOX, LUMINARE HANGER, SUPPLIED BY OTHERS	1
5	GASKET, NEOPRENE, SUPPLIED BY OTHERS	1
6	JUNCTION BOX COVER w/LUMINARE HANGER, FLEXIBLE MOUNT, SUPPLIED BY OTHERS	1
7	CONDUIT, 3/4", RIGID STEEL GALVANIZED, SUPPLIED BY OTHERS	AS REQ'D
8	THREADED STUD, 1/4"-20 x 3/4", SUPPLIED BY OTHERS	6
9	FLAT WASHER, 1/4", HD GALV., SUPPLIED BY OTHERS	6
10	LOCK WASHER, 1/4", HD GALV., SUPPLIED BY OTHERS	6
11	HEX NUT, 1/4"-20, HD GALV., SUPPLIED BY OTHERS	6
12	#8 PLYWOOD TAPPING SCREW OR TOGGLE BOLT, SUPPLIED BY OTHERS	3
13	#8 FLAT WASHER, SUPPLIED BY OTHERS	3
14	#8 LOCK WASHER, SUPPLIED BY OTHERS	3




DETAIL A
WALL CONTROLLER w/JUNCTION BOX MOUNT (REQUIRED)



DETAIL B
OCC SENSOR MOUNT (OPTIONAL)

- NOTES:**
1. SKETCH IS NOT DRAWN TO SCALE.
 2. SEE WIRING DIAGRAM ON SHEET 2.

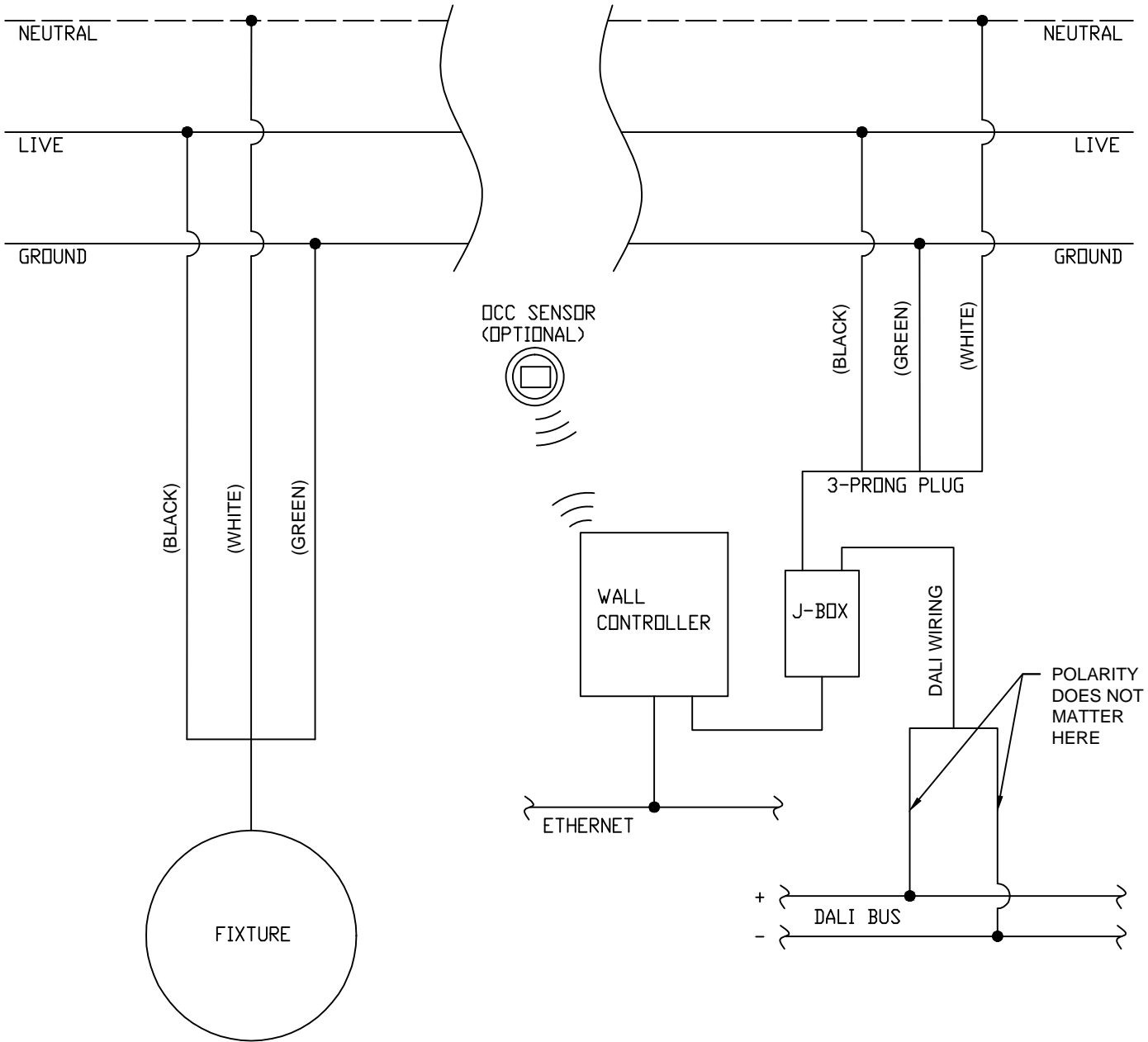
SHEET #	FIXTURE TYPE	REV NO.	DATE	DESCRIPTION	DWN	CHK	APP
1 OF 2	--	01	01/09/15	DETAILED INSTALLATION DRAWING	BS	SB	JP

 1501 ROUTE 34 FARMINGDALE, NJ, 07727	DOCUMENT TITLE:	DOCUMENT NO.	REV
	HIGH BAY FIXTURE VIGILANT w/JENNET PENDANT DROP GREATER THAN 12" UNCLASSIFIED	HB-W-G-00-004	01

DISCLAIMER:
 This document is for illustration purposes only. It does not constitute advice, instructions or a manual for the installation of Dialight goods and should not be treated as such. Dialight accepts no liability where this document is used for such purposes. The customer is responsible for compliance with local and national safety laws, best practice codes, and applicable standards when installing electrical equipment and should ensure they adhere to the same.

\\F01\public\Dialight_Website_Drawing_Files\High Bay\Vigilant with Controls\UL+CSA 26K+18K+14K+11K\DuroSite w/Jennet\HB-W-G-00-004.dwg

FACILITY BRANCH CIRCUIT(S)



\\F01\public\Dialight_Website_Drawing_Files\High Bay\Vigilant with Controls\UL+CSA 26K+18K+14K+11K\DuroSite w/Jennet\HB-W-G-00-004.dwg

SHEET # <u>2</u> of <u>2</u>	FIXTURE TYPE --	REV NO. 01	DATE 01/09/15	DESCRIPTION DETAILED INSTALLATION DRAWING	DWN BS	CHK SB	APP JP
------------------------------	--------------------	---------------	------------------	--	-----------	-----------	-----------

<p>1501 ROUTE 34 FARMINGDALE, NJ, 07727</p>	DOCUMENT TITLE:	DOCUMENT NO.	REV
	HIGH BAY FIXTURE VIGILANT w/JENNET PENDANT DROP GREATER THAN 12" UNCLASSIFIED	HB-W-G-00-004	01

DISCLAIMER:
This document is for illustration purposes only. It does not constitute advice, instructions or a manual for the installation of Dialight goods and should not be treated as such. Dialight accepts no liability where this document is used for such purposes. The customer is responsible for compliance with local and national safety laws, best practice codes, and applicable standards when installing electrical equipment and should ensure they adhere to the same.