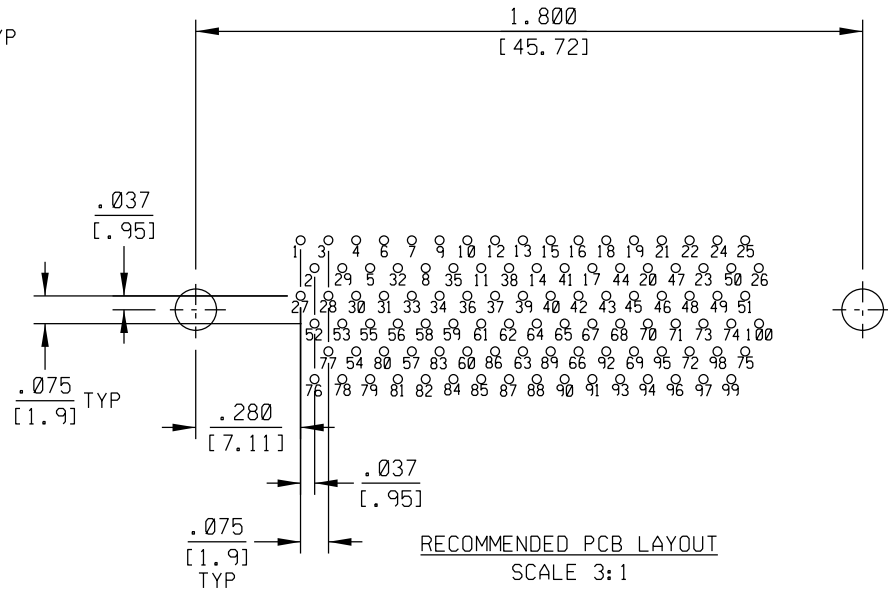
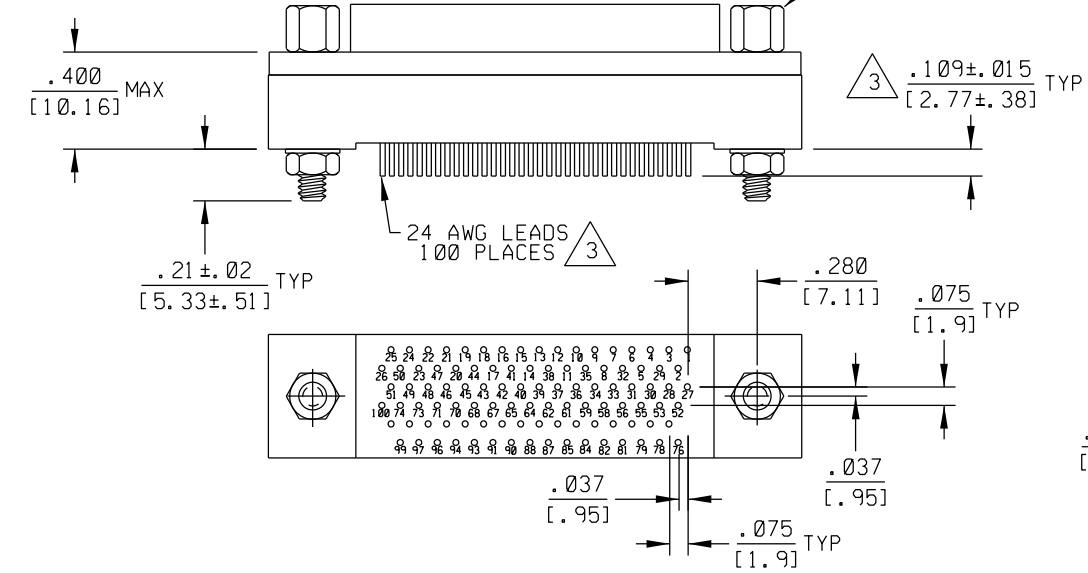
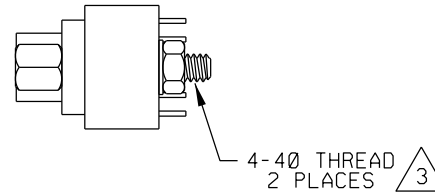
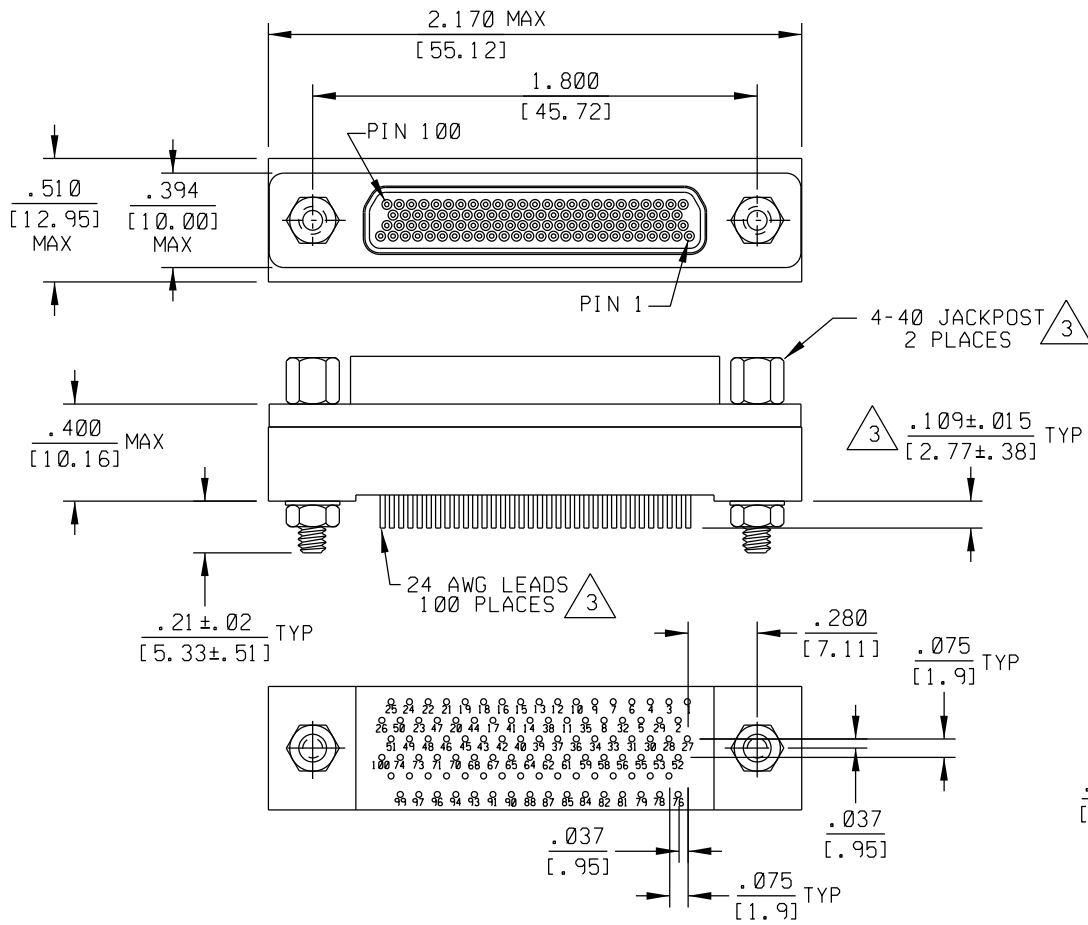


PART REV	DWG ISSUE	DATE	ECN NO.	APPVD BY	REL BY



RECOMMENDED PCB LAYOUT
SCALE 3:1

- 4. PERFORMANCE: MEETS OR EXCEEDS REQUIREMENTS OF MIL-DTL-83513
- 3 CONSULT FACTORY FOR AVAILABLE OPTIONS

- 2 MATERIALS:
SHELL: 6061-T6 ALUMINUM PER SAE-AMS-00-A200/8,
NICKEL PLATED PER AMS 2404
INSULATOR AND BACKSHELL: PPS PER MIL-M-24519 GST-40F, COLOR: BLACK
PIN CONTACTS: C17200 BERYLLIUM COPPER PER ASTM B194,
GOLD PLATED PER ASTM B488
24 AWG LEADS: TIN PLATED COPPER PER A-A-59551 TYPE S
HARDWARE: PASSIVATED STAINLESS STEEL IAW MIL-DTL-83513/5
- 1. MARKINGS: "UMI", UMI DATE CODE, AND UMI PART NUMBER.

NOTES: UNLESS OTHERWISE SPECIFIED.

QUALITY SYMBOLS MAJOR CRITICAL SPC	UNLESS SPECIFIED: ALL DIMENSIONS IN INCHES/MM	SCALE 2:1	DWG SIZE B	THIRD ANGLE PROJECTION	REVISE ON CAD ONLY
	GENERAL TOLERANCES: 3 PLACE ±.005/.13 2 PLACE ±.01/.25 ANGULAR ±2°	DRAWN BY & DATE DW 11-10-11	CHECKED BY & DATE	TITLE: CIRCUIT CONNECTOR, RECEPTACLE, SIZE 100, STYLE 6 (.075 X .075), CM6R1 00P17-S01	
	Ulti-Mate CAGE CODE 58967	APPROVED BY & DATE	MATERIAL: 2 3		Uti-Mate Connector Inc.
		CAD FILENAME SD-8361 81 61 7. DGN	PART NO. 8361 81 61 7	DRAWING NO. SD-8361 81 61 7	SHEET NO. 1 OF 1
		THIS DRAWING CONTAINS INFORMATION THAT IS PROPRIETARY TO ULTI-MATE INCORPORATED AND SHOULD NOT BE USED WITHOUT WRITTEN PERMISSION.			