



# ULTRA SONIC SEAL

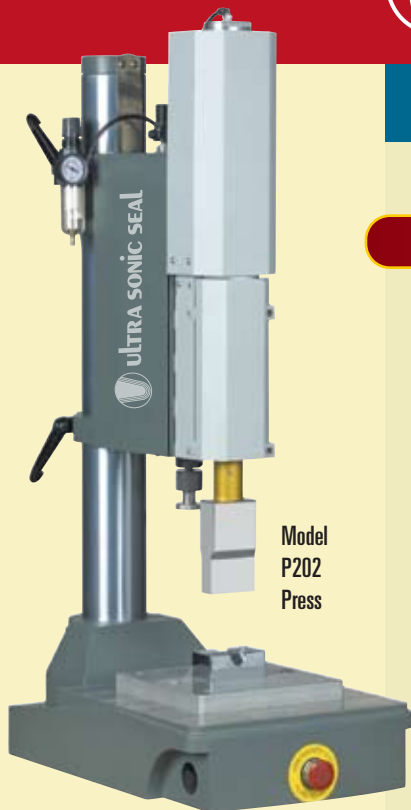
## MODELS P201 & P202

### 20 kHz **NEW**

# Ultrasonic Plastics Welding Systems



Model P201 Press



Model P202 Press



Model MG Power Supply

Ultra Sonic Seal offers its latest line of ultrasonic generators to power its "heavy-duty" 20 kHz welding presses, Models P201 and P202, for superior performance and precision in even the most demanding plastics welding applications.

Delivering more output power to the press, and providing micro-processor control, these new power supplies feature user-friendly navigation and are available in three different welding mode configurations. The result: powerful new 20 kHz systems that can handle significantly larger part size and force requirements with consistent reliability for every application.

#### STANDARD FEATURES INCLUDE:

- Multiple Job Storage
- Digital Force Triggering
- Calibration Pulse Prior to Every Weld Cycle
- Back-Lit LCD Display
- Ultrasonics Load Meter Scale
- Upper and Lower Weld Limit Settings
- RS232 Serial Port Printer Output
- Optional PLC I/O (Input/Output) Ports
- Soft Start Overload Protection Circuitry
- Load Regulation Circuitry
- Distance Mode Settings in English or Metric Units

#### Power Supply

Dimensions: 15.25" W x 6.50" H x 17.00" D (387.3 x 165.1 x 431.8 mm)

Weight: 21 lbs. (9.5 kg)

### **NEW** Power

Now available in:

1200 watts • 1700 watts • 2200 watts

### **NEW** Features

- Digital Amplitude Control
- Ultrasonic Horn/Stack Frequency Display
- Good Part/Bad Part Output Signal
- 30% smaller power supply footprint

### **NEW** Models

Weld by:

- digital time - **Model TG**
- digital time and/or constant energy - **Model MG**
- digital time, constant energy and/or distance - **Model DG\***

\* Available with Model P201 press only.

For more information: **610.497.5150 • www.UltraSonicSeal.com**

# Press Features, Specifications, and Options

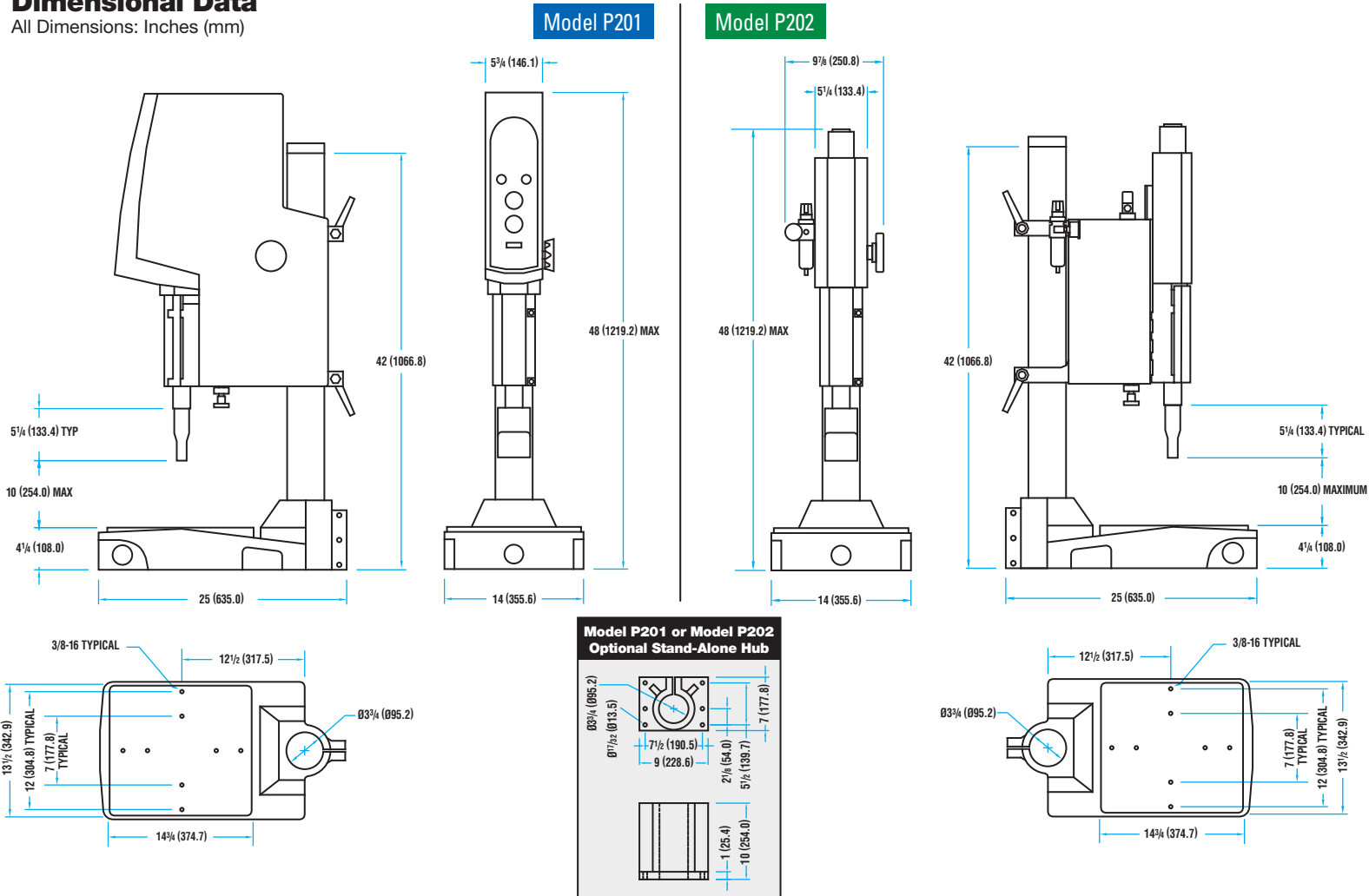
- Single Piece Rigid Cast Aluminum Machine Base and Column Hub
- Increased Steel Column Diameter and Wall Thickness
- Single Rail Linear Slide
- Direct In-Line Air Cylinder
- Extended Center Base to Column Throat Depth Distance
- Additional 12" Center-to-Center Lower Fixture Mount Holes

Dual Cycle Start Buttons  
 Non-Contact Cycle Start Buttons  
 Front Emergency Stop  
 Speed & Pressure Pneumatic Controls  
 Front Panel Pneumatic Speed & Pressure Controls  
 Head Adjust Counter Balance Spring  
 Adjustable Positive Stop  
 Automation Limit Switches  
 360° Snap-In Stack Assembly  
 Rigid Mount Booster  
 Mechanical Force Trigger  
 Stand Alone Column Hub  
 Extended Length Column  
 Linear Encoder for Distance Welding  
 3.75" (95.3) Column Diameter  
 4" (101.6) Stroke Air Cylinder  
 6" (152.4) Stroke Air Cylinder  
 Air Cylinder Bore Diameter  
 Clamping Force at 90 PSIG  
 Weight  
 Power Supply Input Voltage

Model P201	Model P202
Standard	Standard
Optional	Optional
Standard	Standard
Standard	Standard
Standard	N/A
Standard	Standard
Standard	Standard
Optional	Optional
Standard	Standard
Optional	Optional
Standard	Standard
Optional	Optional
Optional	N/A
Standard	Standard
Standard	Standard
Optional	Optional
2.5" (63.5)	2.5" (63.5)
441 lbs. (1961n)	441 lbs. (1961n)
180.5 lbs. / 81.9 kg	165 lbs. / 74.8 kg
220 VAC	220 VAC

## Dimensional Data

All Dimensions: Inches (mm)



**ULTRA SONIC SEAL**

200 Turner Industrial Way • Aston, PA 19014  
 Tel. 610.497.5150 • Fax 610.497.5195 • email: info@ultrasonicseal.com  
 www.UltraSonicSeal.com

©2006

Printed in U.S.A. 1M/06/06  
 Not responsible for typographical errors.  
 Specifications subject to change without notice.





## MODEL P203

### 20kHz NEW

# Integrated Welder For Ultrasonic Plastics Assembly



The new 20 kHz model P203 integrated welder is an all-in-one super-rigid ultrasonic press that combines power, versatility and microprocessor control in one convenient unit. The P203 welder easily handles significantly larger part size and force requirements and delivers consistent reliability for every application.

The built-in microprocessor with easy-access front-panel keypad provides streamlined smart-logic navigation through user-friendly welding mode controls and displays.

#### STANDARD FEATURES INCLUDE:

- Automatic Frequency Tuning
- Back-Lit LCD Display
- Weld, Hold, Delay and Afterburst Timers
- Digital Wattage Display
- Ultrasonics Load Meter Scale
- Upper and Lower Weld Limit Settings
- Soft-start Overload Protection Circuitry
- Load Regulation Circuitry

## Features

- Digital Time and/or Constant Energy Weld Modes Available
- Front Panel Pneumatic and Microprocessor Controls
- Digital Amplitude Control
- Ultrasonic Horn/Stack Frequency Display
- Single-piece Rigid Cast Aluminum Machine Base and Column Hub

## Models

Available in:

- 1200 watts – Model P203-12
- 2200 watts – Model P203-22

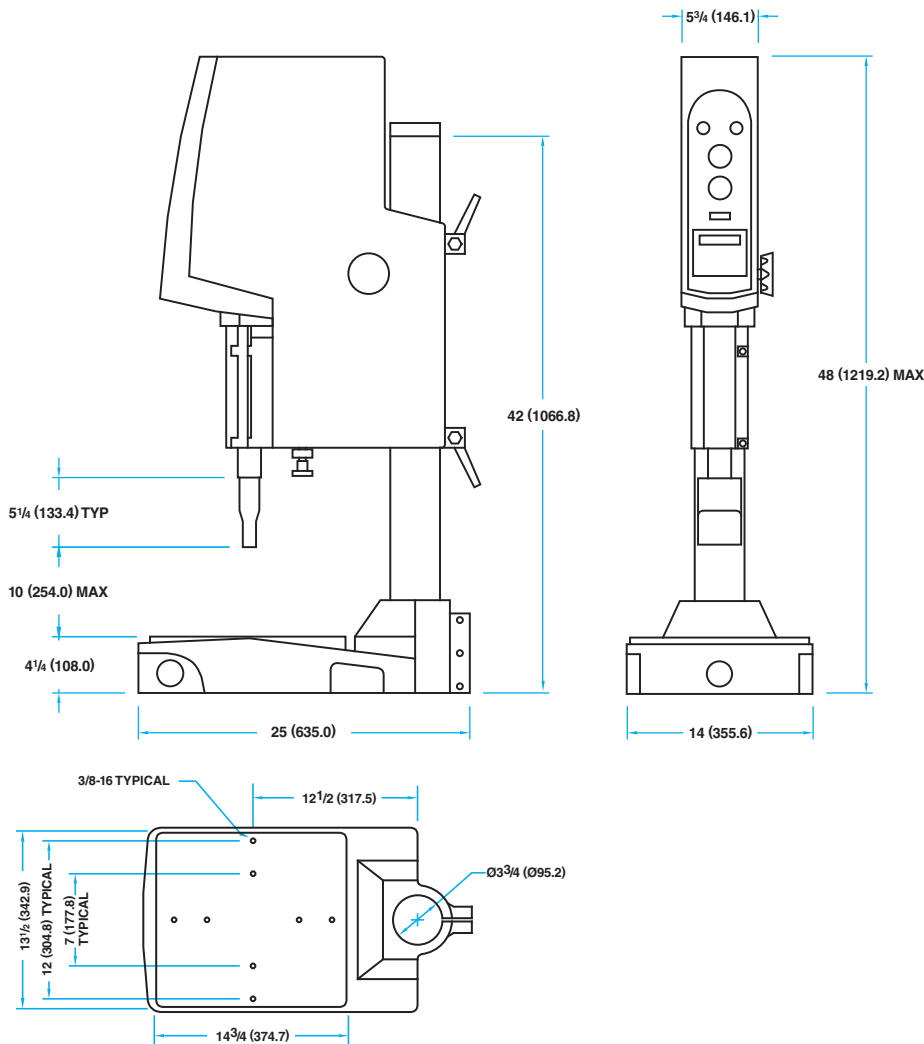
## P203 Press Features

- Single Piece Rigid Cast Aluminum Machine Base and Column Hub
- Super-rigid 3.75" Steel Column Diameter with 0.5" Wall Thickness
- Single Rail Linear Slide
- Direct In-Line Air Cylinder
- Front Panel Pneumatic Speed and Pressure Controls
- Microprocessor with Front Panel Keypad

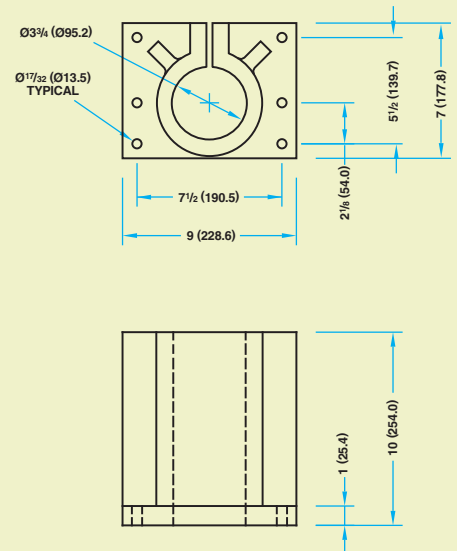
## Specifications, Additional Features, and Options

Dual Cycle Start Buttons	Standard
Non-Contact Cycle Start Buttons	Optional
Front Emergency Stop	Standard
Head Adjust Counter Balance Spring	Standard
Adjustable Positive Stop	Standard
Automation Limit Switches	Optional
360° Snap-In Stack Assembly	Standard
Rigid Mount Booster	Optional
Stand Alone Column Hub	Optional
Extended Length Column	Optional
4" (101.6) Stroke Air Cylinder	Standard
Air Cylinder Bore Diameter	2.5" (63.5)
Clamping Force at 90 PSIG	441 lbs. (1961n)
Input Voltage	220 VAC
Weight	180.5 lbs. / 81.9 kg

## Dimensional Data All Dimensions: Inches (mm)



## Optional Stand-Alone Hub



**ULTRA SONIC SEAL**

200 Turner Industrial Way • Aston, PA 19014  
 Tel. 610.497.5150 • Fax 610.497.5195 • email: info@ultrasonicseal.com  
 www.UltraSonicSeal.com

©2007  
 Printed in U.S.A.  
 Not responsible for typographical errors.  
 Specifications subject to change without notice.