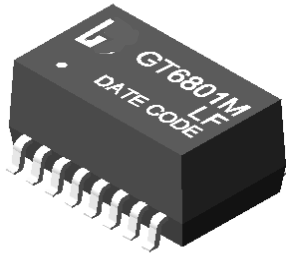


GIGABIT DUAL TRANSFORMERS

P/N: UE-GT6801M LF



Feature

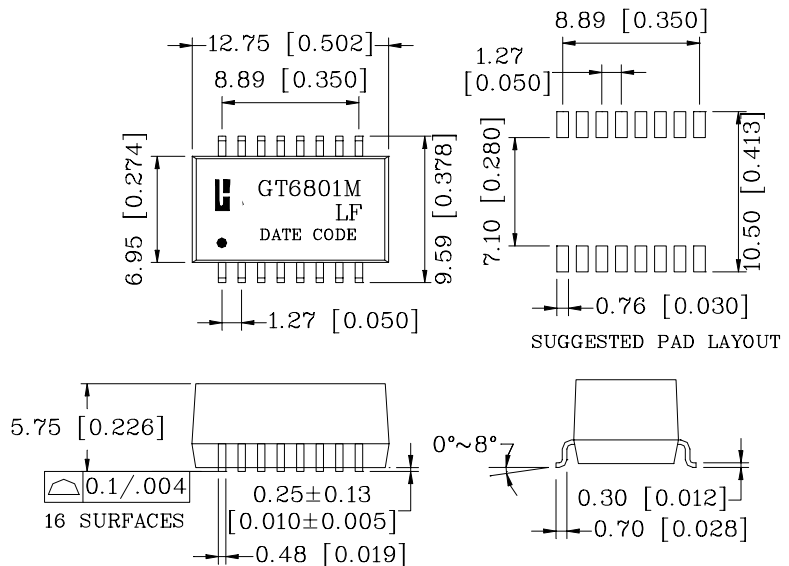
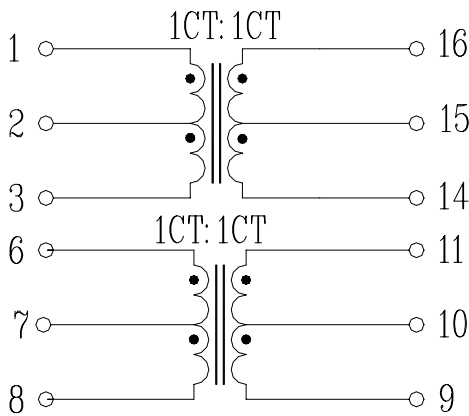


- For use with 150Ω Twinax Cable.
- Designed for fast rise-time and a low frequency out off of 2.5MHz.
- IC grade transfer-molded package withstands 235°C peak Temperature profile.
- Comply with RoHS requirements-whole part No Cd, No Hg, No Cr6+, No PBB and PBDE and No Pb on external pins.
- Comply with Air reflow profile of JEDEC 020-C.
- Operating temperature range: -40°C to +70°C.
- Storage temperature range: -40°C to +125°C

Electrical Specifications @ 25°C				
Part Number	Turns Ratio (±6%)	OCL (uH Min) @ 100KHz/0.2V	DCR (Ω Max)	HI-POT (Vrms)
UE-GT6801M LF	1CT:1CT	5.50	0.21	1500

Schematic

Mechanical



Units: mm[Inches] Tolerance: xx.x0±0.25[0.010]
0.xx±0.05[0.002]