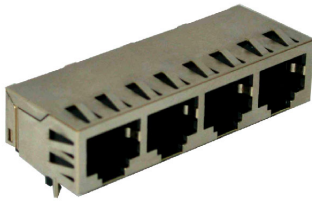


Feature

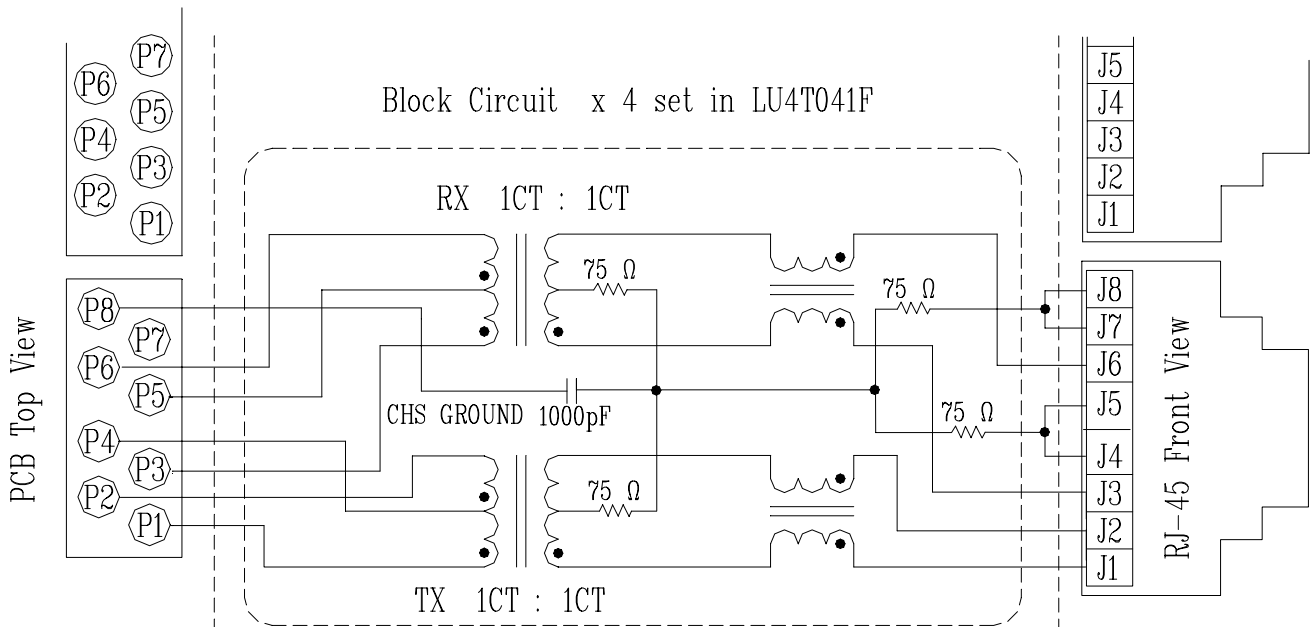


- RJ-45 connector integrated with X'FMR /Impedance resistor/High voltage capacitor.
- Size same as RJ-45 connector to save PCB Board space.
- Reduce EMI radiation, Improve EMI performance.
- Design for 100 BASE transmission over UTP-5 cable.
- Operating temperature range: 0°C to +70°C.
- Storage temperature range: -25°C to +125°C.

Electrical Specifications @ 25°C								
Part Number	Turns Ratio (±5%)		OCL (uH Min) @100 KHz/0.1V with 8mA DC Bias	C _{WW} (pF Max)	L.L (uH Max)	Rise Time 10-90% (nS Typ)	Insertion Loss (dB Max) 0.3-100MHz	HI-POT (Vrms)
	TX	RX						
LU4T041F	1CT:1CT	1CT:1CT	350	28	0.5	2.5	-1.15	1500

Continue											
Part Number	Return Loss (dB Min)					Cross talk (dB Min)			CMR (dB Min)		
	30MHz	40MHz	50MHz	60MHz	80MHz	0.3-30MHz	30-60MHz	60-100MHz	1-30MHz	30-60MHz	60-125MHz
LU4T041F	-16	-14	-13.5	-13	-10	-40	-35	-30	-30	-25	-20

Schematic



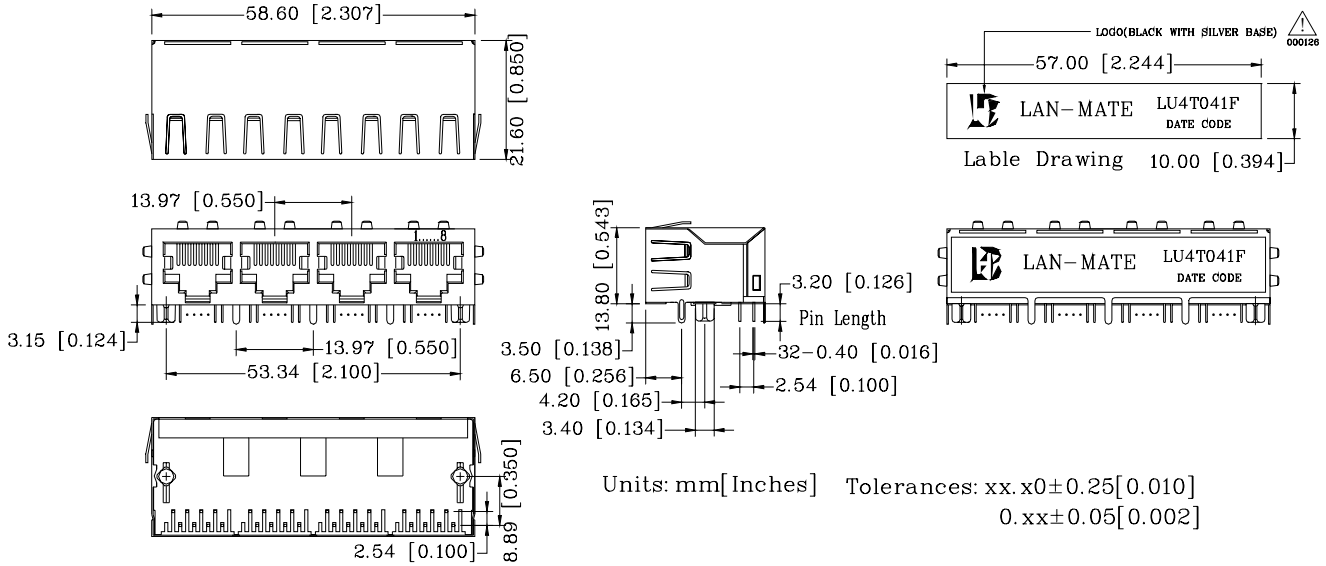
UMEC Europe

homepage: www.umeu.de

UMEC elektronische Komponenten GmbH
 Kreuzenstraße 80 • D-74076 Heilbronn
 Tel. 07131/76170 • Fax 07131/761720

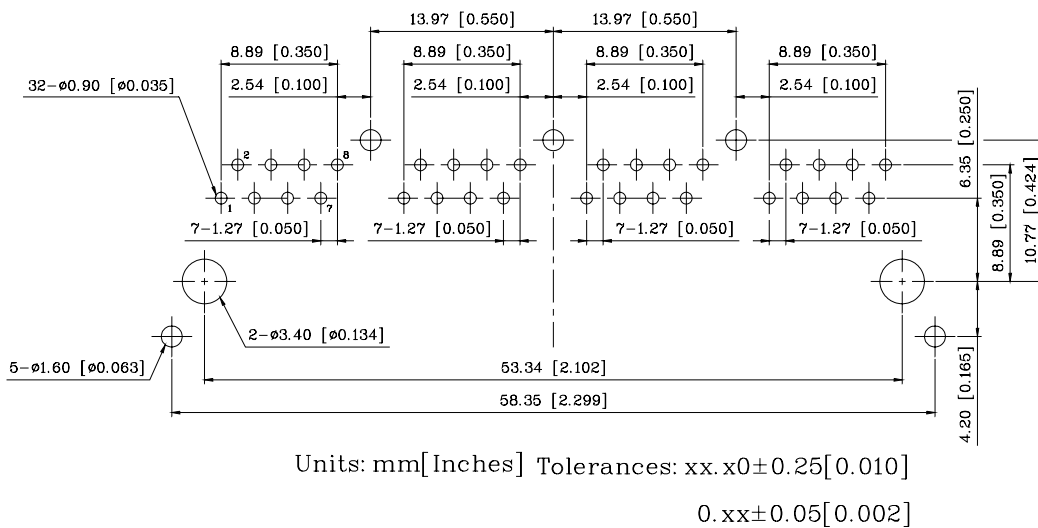
e-mail: info@umec.de

Mechanical



- 1. Plastic Material : Thermoplastic (UL 94V-0), Black Housing
- 2. Metal Shield : Brass, 20u inches thick Nickel
- 3. Spring Wire : 0.45mm Dia. Phosphor bronze with selective gold plating
- 4. Solder Pin : 0.4x0.4mm, Phosphor bronze with solder Plated
- 5. Durability : 300 Mating cycles Min.

PCB Layout Mounting Hole(Top View)



UMEC GmbH

UMEC elektronische Komponenten GmbH
 Kreuzenstraße 80 • D-74076 Heilbronn
 Tel. 07131/76170 • Fax 07131/761720

homepage: www.umeu.de

e-mail: info@umec.de