

# “LAN-MATE” SERIES

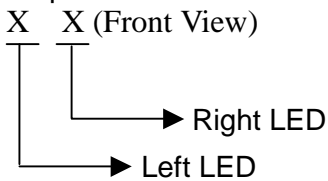
## SINGLE RJ45 CONNECTOR MODULE WITH INTEGRATED 10/100 BASE-TX MAGNETICS

P/N: UE-LU1T516E1-XX

### Feature



Example Part Number Format:



- RJ-45 connector integrated with transformer/impedance resistor/high voltage capacitor.
- Size same as RJ-45 connector to save PCB board space.
- Reduce EMI radiation improve EMI performance
- Design for 10/100 BASE transmission over UTP-5 cable
- Rating temperature range: 0°C to +70°C.
- Storage temperature range: -40°C to +85°C.
- Recommended panel

Part Number	Standard LED	Forward*V(Max)	(TYP)
1	RED	2.5V	2.1V
3	YELLOW	2.5V	2.1V
4	GREEN	2.5V	2.2V
0	Without LED		

\*With a forward current 20mA

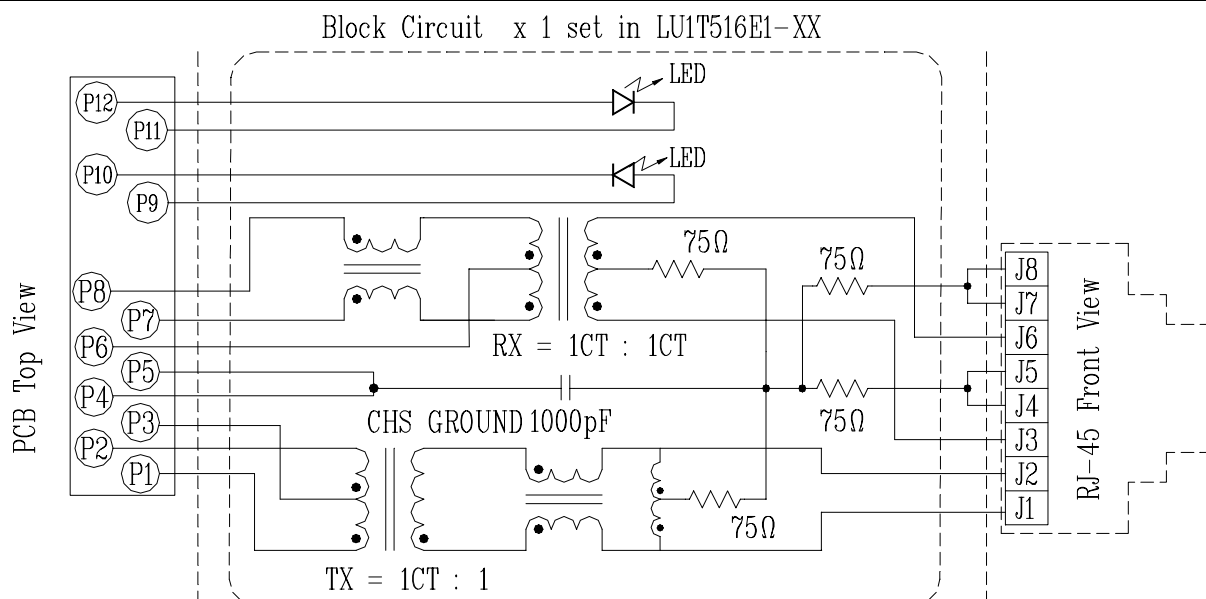
### Electrical Specifications @ 25°C

Part Number	Turns Ratio (±5%)		Inductance (uH Min) @ 100 KHz/0.1V with 8mA DC Bias	Voltage isolation (Vrms)
	TX	RX		
UELU1T516E1-XX	1CT:1	1CT:1CT	350	1500

### Continue

Part Number	Insertion Loss (dB Max)	Return Loss (dB Min)					Cross talk (dB Min)	Differential to Common Mode Rejection TX/RX(dB Min)
		30MHz	40MHz	50MHz	60MHz	80MHz		
UELU1T516E1-XX	-1.15	-16	-14	-13.5	-13	-10	-35	-30

### Schematic

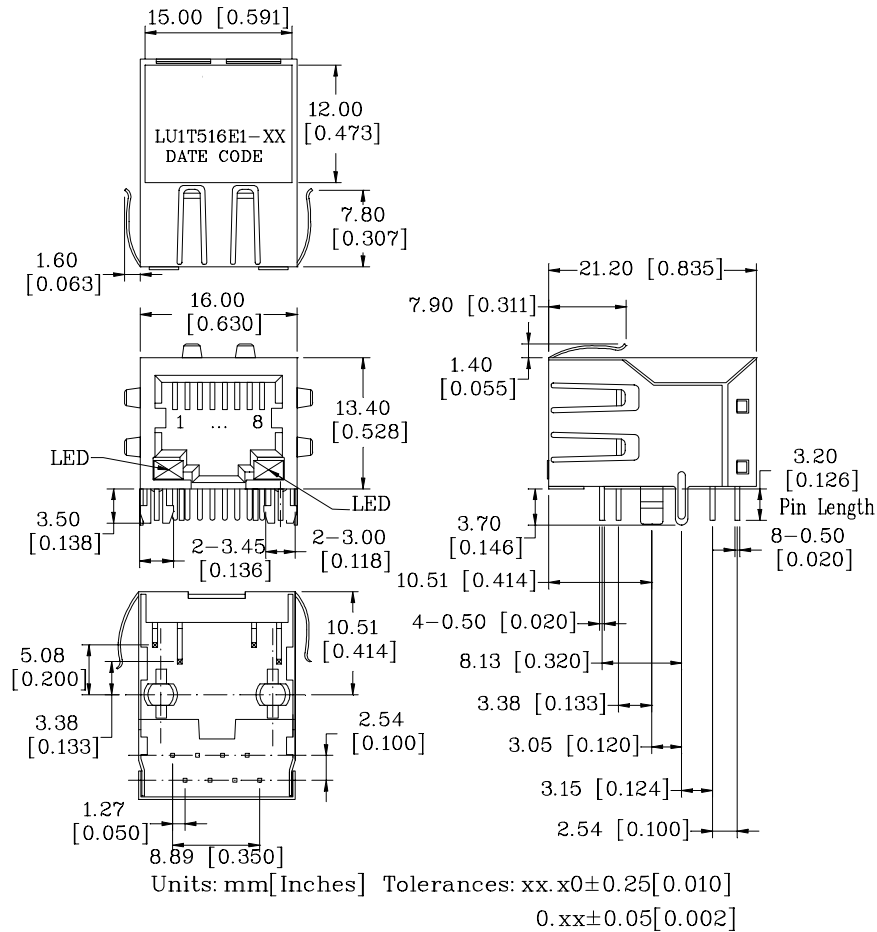


**“LAN-MATE” SERIES**

**SINGLE RJ45 CONNECTOR MODULE WITH INTEGRATED 10/100 BASE-TX MAGNETICS**

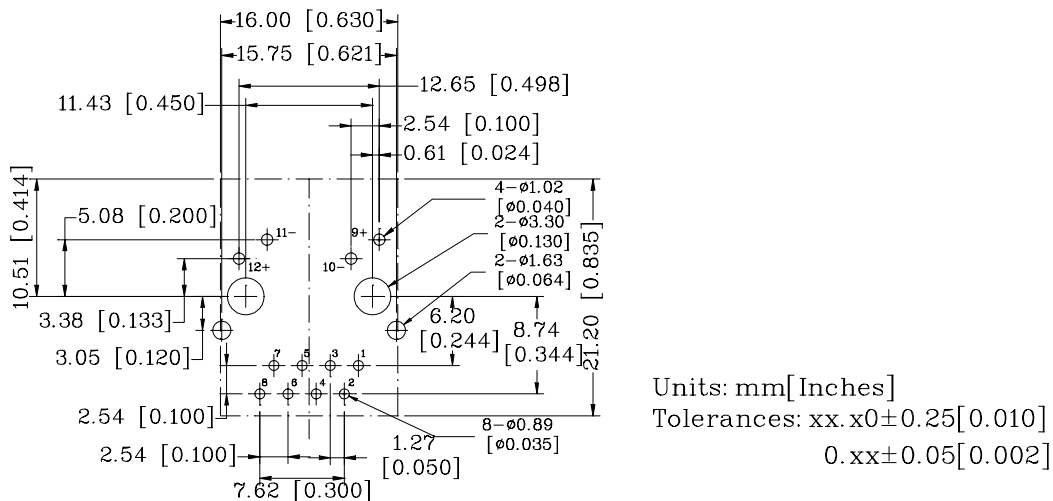
**P/N: LU1T516E1-XX**

**Mechanical**



- 1. Plastic Material : PBT 15% Glass Filled(UL 94V-0), Black Housing
- 2. Metal Shield : Brass C2680-H, 20u Nickel Plated, t=0.25mm
- 3. Spring Wire : 0.45mm Dia. Phosphor bronze with 6u gold plated
- 4. Solder Pin : 0.4x0.4mm, Phosphor bronze with solder Plated
- 5. Durability : 300 Mating cycles Min.

**PCB Layout Mounting Hole(Top View)**



**UMEC GmbH**

UMEC elektronische Komponenten GmbH  
 Kreuzenstraße 80 ● D-74076 Heilbronn A0/(0102)  
 Tel. 07131/7617-0 ● Fax 07131/7617-20 www.umeu.de