

1000 BASE -T MAGNETICS MODULES

P/N: UE-24HST1041A-3 LF



Feature



- Designed for long haul gigabit Ethernet 1000 BASE-T, full duplex applications.
- Supports 4 pairs of category 5 UTP cable.
- Cable interface for isolation and low common mode emissions.
- Compliant with IEEE 802.3ab standard for 1000 BASE-T.
- Comply with RoHS requirements-whole part No Cd, No Hg, No Cr6+, No PBB and PBDE and No Pb on external pins.
- Comply with Air reflow profile of JEDEC 020-C.
- Operating temperature range: 0°C to +70°C
- Storage temperature range: -25°C to +125°C

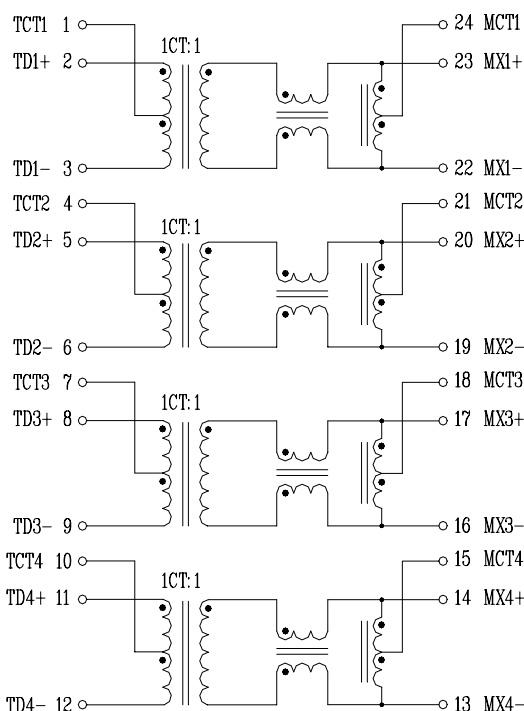
Electrical Specifications @ 25°C

Part Number: UE-	Turns Ratio (±5%)		OCL (uH Min) @ 100KHz/0.1V with 8mA DC Bias	Cross talk Attenuation (dB Min)			HI-POT (Vrms)
	TX	RX		30MHz	60MHz	100MHz	
24HST1041A-3 LF	1CT:1	1CT:1	350	-45	-40	-35	1500

Continue

Part Number:UE-	Insertion Loss (dB Max)	Return Loss (dB Min)@Load 100Ω					DCMR (dB Min)		
		1-100MHz	1-30MHz	40MHz	50MHz	60-80MHz	100MHz	30MHz	60MHz
24HST1041A-3 LF	-1.0	-18	-14.4	-13.1	-12	-10	-43	-37	-33

Schematic



Mechanical

