

Feature



- RJ-45 connector integrated with transformer/impedance resistor/high voltage capacitor.
- Size same as RJ-45 connector to save PCB board space.
- Reduce EMI radiation improve EMI performance
- Design for 10/100 BASE transmission over UTP-5 cable
- Operating temperature range: 0° to +70°.
- Storage temperature range: -25° to +85°.
- Recommended panel

Part Number	Standard LED	Forward*V(Max)	(TYP)
D3	YELLOW/GREEN	2.6V	2.1V
4	GREEN	2.6V	2.1V

*with a forward current of 20mA

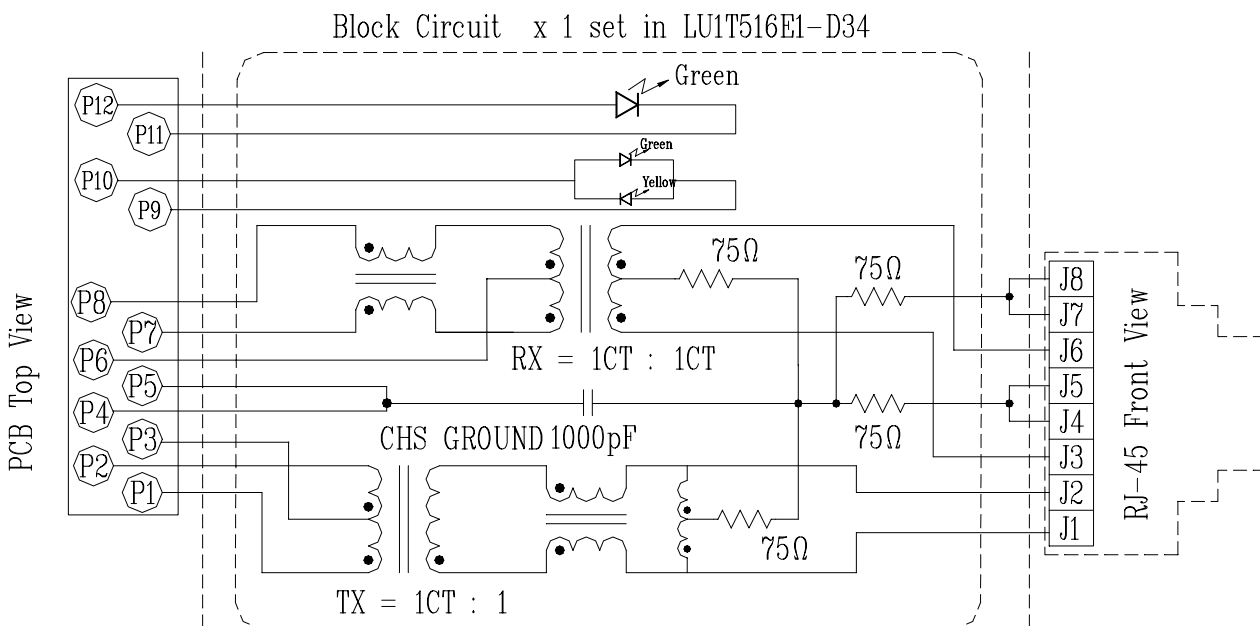
Electrical Specifications @ 25°C

Part Number	Turns Ratio (±5%)		OCL (uH Min) @ 100 KHz/0.1V with 8mA DC Bias	Cross talk (dB Min)		HI-POT (Vrms)
	TX	RX		0.3-60MHz	60-100MHz	
LU1T516E1-D34	1CT:1	1CT:1CT	350	-45	-35	1500

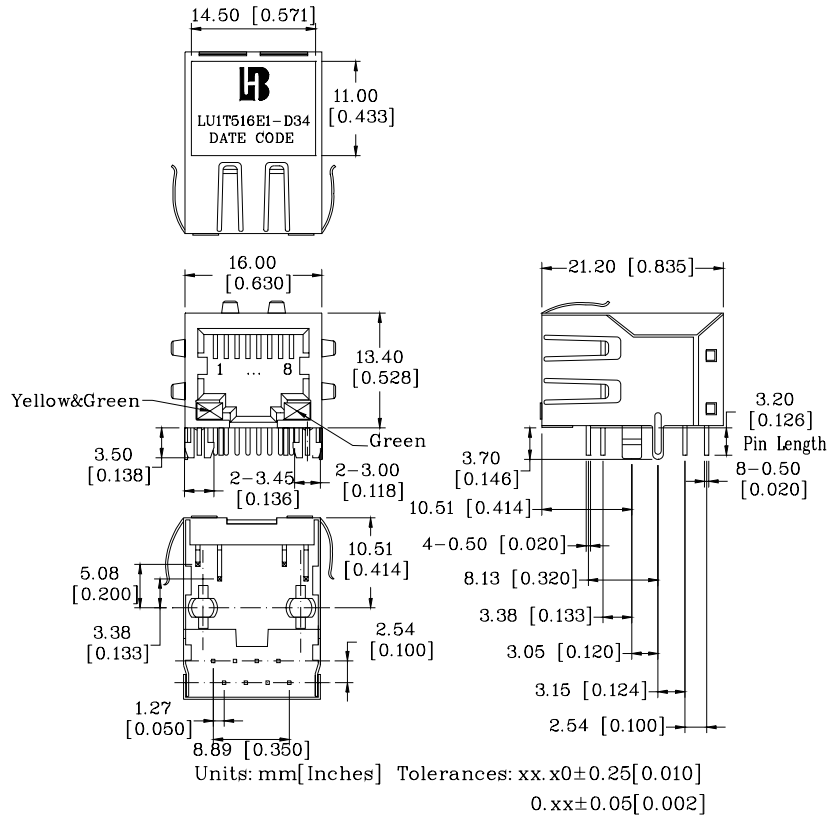
Continue

Part Number	Insertion Loss (dB Max)	Return Loss (dB Min)					CMR (dB Min) TX/RX	
		0.3-100MHz	30MHz	40MHz	50MHz	60MHz	80MHz	1-60MHz
LU1T516E1-D34	-1.15	-16	-14	-13.5	-13	-10	-37/-35	-33/-28

Schematic

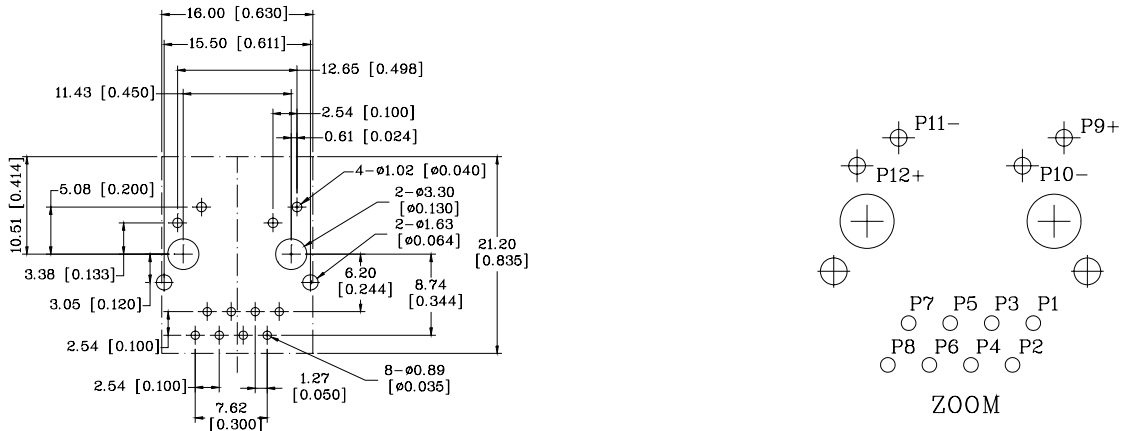


Mechanical



- 1. Plastic Material : PBT 15% Glass Filled(UL 94V-0), Black Housing
- 2. Metal Shield : Brass C2680-H, 20u Nickel Plated, t=0.25mm
- 3. Spring Wire : 0.45mm Dia. Phosphor bronze with 6u gold plated
- 4. Solder Pin : 0.4x0.4mm, Phosphor bronze with solder Plated
- 5. Durability : 300 Mating cycles Min.

PCB Layout Mounting Hole(Top View)



PCB LAYOUT MOUNTING HOLE (TOP VIEW)
Units: mm[Inches] Tolerances: xx.x0±0.25[0.010]
0.xx±0.05[0.002]

