

**Feature**



- Meets IEEE 802.3 and ANSI X3.263 standards.
- Designed for reflow soldering at temperature  $235 \pm 5^\circ\text{C}$ .
- The transformer meets the specification for
- Operating Temperature range:  $0^\circ\text{C}$  to  $+70^\circ\text{C}$ .
- Storage temperature range:  $-25^\circ\text{C}$  to  $+125^\circ\text{C}$ .

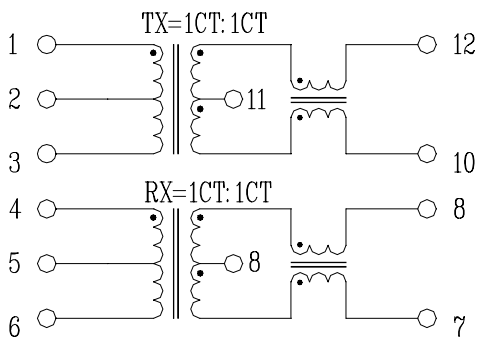
**Electrical Specifications @ 25°C**

Part Number	Turns Ratio TX/RX( $\pm 5\%$ )	OCL ( $\mu\text{H}$ Min) @ 100KHz/0.1Vrms with 8mA/DC Bias	HI-POT (Vrms)@2S
UE12ST6121C	1CT:1CT	350	1500

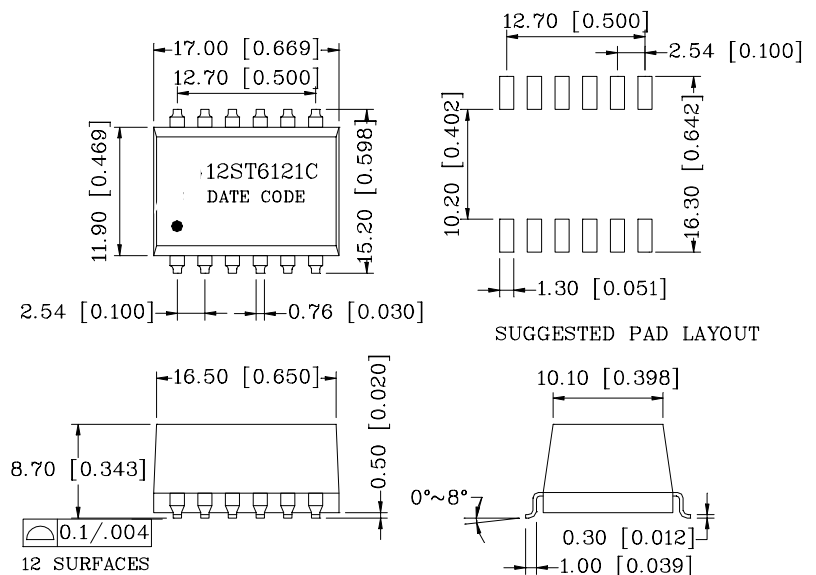
**Continue**

Part Number	Insertion Loss (dB Max) TX/RX	Return Loss (dB Min)TX/RX			Cross talk (dB Min)TX TO RX		
		30MHz	60MHz	80MHz	30MHz	60MHz	100MHz
UE12ST6121C	-1.3	-17	-11	-9	-42	-37	-32

**Schematic**



**Mechanical**



Units: mm[Inches] Tolerances: xx.x0 $\pm$ 0.25[0.010]  
0.xx $\pm$ 0.05[0.002]