

“LAN-MATE” SERIES

SINGLE RJ45 CONNECTOR MODULE WITH INTEGRATED 10/100 BASE-TX MAGNETICS & 2LEDS

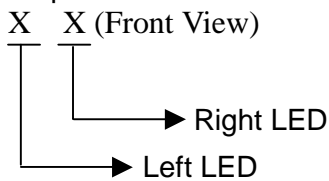
P/N: UE-LU1S516-XX

Feature



- Complies with requirement of IEEE802.3u standards.
- RJ 45 connector with 10/100 BASE-TX magnetic.
- Meet UL safety standard.
- Includes integrated 2 LEDS(option).
- LEDS are isolated to reduce cross talk and electro-magnetics interference.
- Operating temperature range: 0°C to +70°C.
- Storage temperature range: -40°C to +85°C.
- Recommended panel

Example Part Number Format:



Part Number	Standard LED	Forward*V(Max)	(TYP)
3	YELLOW	2.5V	2.1V
4	GREEN	2.5V	2.2V

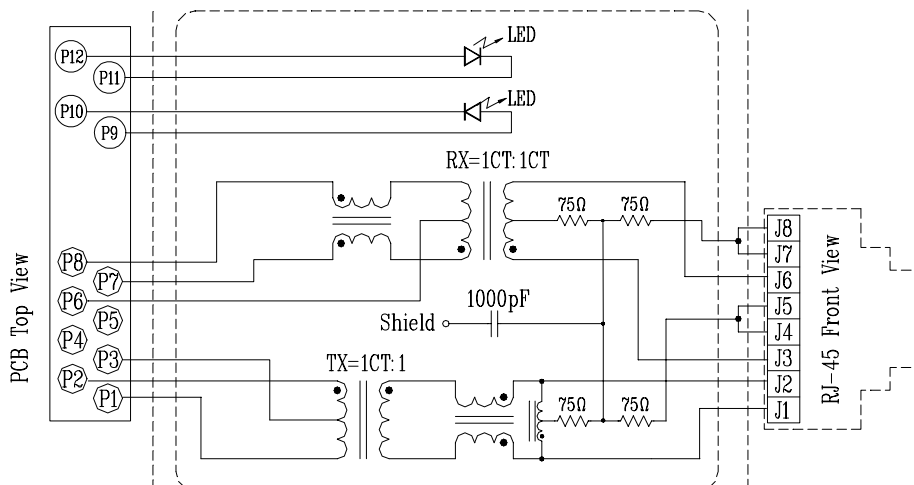
*With a forward current 20mA

Electrical Specifications @ 25°C							
Part Number	Turns Ratio (±5%)		Inductance(uH Min) @ 100 KHz/0.1V with 8mA DC Bias	CW/W (pF Max)	Leakage Inductance (uH Max)	Rise Time 10-90%(nS Typ)	Voltage isolation (Vrms)
	TX	RX					
LU1S516-XX	1CT:1	1CT:1CT	350	28	0.4	2.5	1500

Continue								
Part Number	Insertion Loss (dB Max)	Return Loss (dB Min)					Cross talk (dB Min)	Differential to Common Mode Rejection (dB Min)
		0.3-100MHz	30MHz	40MHz	50MHz	60MHz		
LU1S516-XX	-1.15	-16	-14	-13.5	-13	-10	-35	-30

Schematic

Block Circuit x 1set in LU1S516-XX

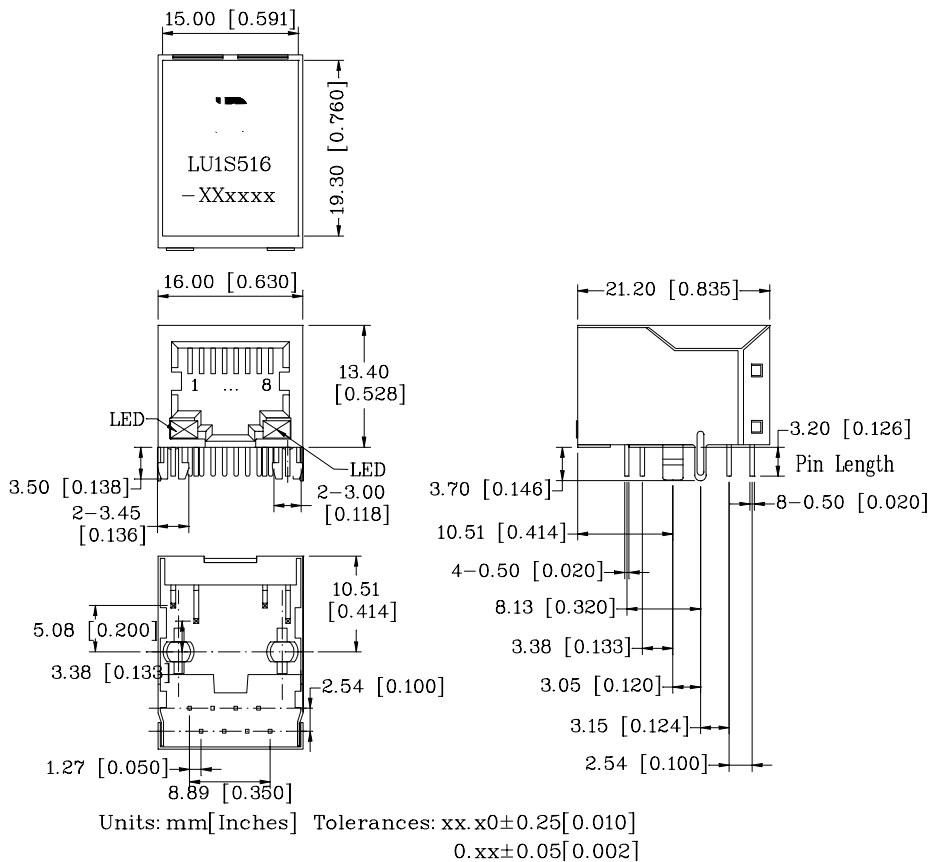


“LAN-MATE” SERIES

SINGLE RJ45 CONNECTOR MODULE WITH INTEGRATED 10/100 BASE-TX MAGNETICS & 2LEDs

P/N: LU1S516-XX

Mechanical



- 1. Plastic Material : PBT 15% Glass Filled(UL 94V-0), Black Housing.
- 2. Metal Shield : Brass C2680-H, 20u Nickel Plated, t=0.25mm.
- 3. Spring Wire : 0.45mm Dia. Phosphor bronze with 6u gold plated.
- 4. Solder Pin : 0.4x0.4mm, Phosphor bronze with solder Plated.
- 5. Durability : 300 Mating cycles Min.

PCB Layout Mounting Hole(Top View)

