



A. General Specifications:

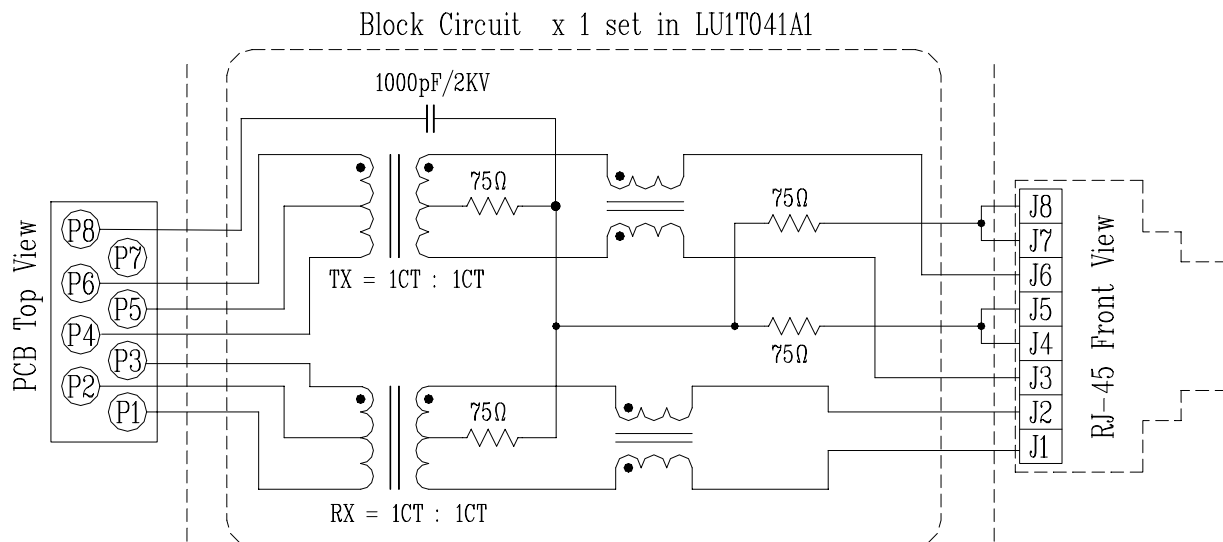
- 1. Complies with requirement of IEEE802.3u standards.
- 2. RJ 45 connector with 10/100 BASE-TX magnetic.

B. Electrical Specifications@25°C:

- 1. Turns Ratio : (P6-P4):(J6-J3) =1CT:1CT & (P3-P1):(J2-J1)=1CT:1CT
- 2. Inductance:(P6-P4) :350 μ H MIN @100 KHz 100mVrms with 8mA Bias
(P3-P1) : 350 μ H MIN @ 100 KHz 100Vrms with 8mA Bias
- 3. CW/W (TX&RX.): 28 pF MAX
- 4. Leakage Inductance(μ H Max): P6-P4(with J6 and J3 short): 0.5
P3-P1(with J2 and J1 short): 0.5
- 5. Insertion Loss: (0.3-100)MHz: -1.15dBMax
- 6. Return Loss: (dB Min.TX&RX):

30MHz	40MHz	50MHz	60MHz	80MHz
-16	-14	-13.5	-13	-10
- 7. Cross talk : -40dB Min@(0.3-60)MHz
-38dB Min@(60-100)MHz
- 8. Common Mode Rejection Ratio: (0.3-60)MHz:-45dB Min.(XMIT)/-40dB Min.(RCV)
(60-100)MHz:-40dB Min.(XMIT)/-35dB Min.(RCV)
- 9. HI-POT Test: 1500 Vrms

C: Schematic :

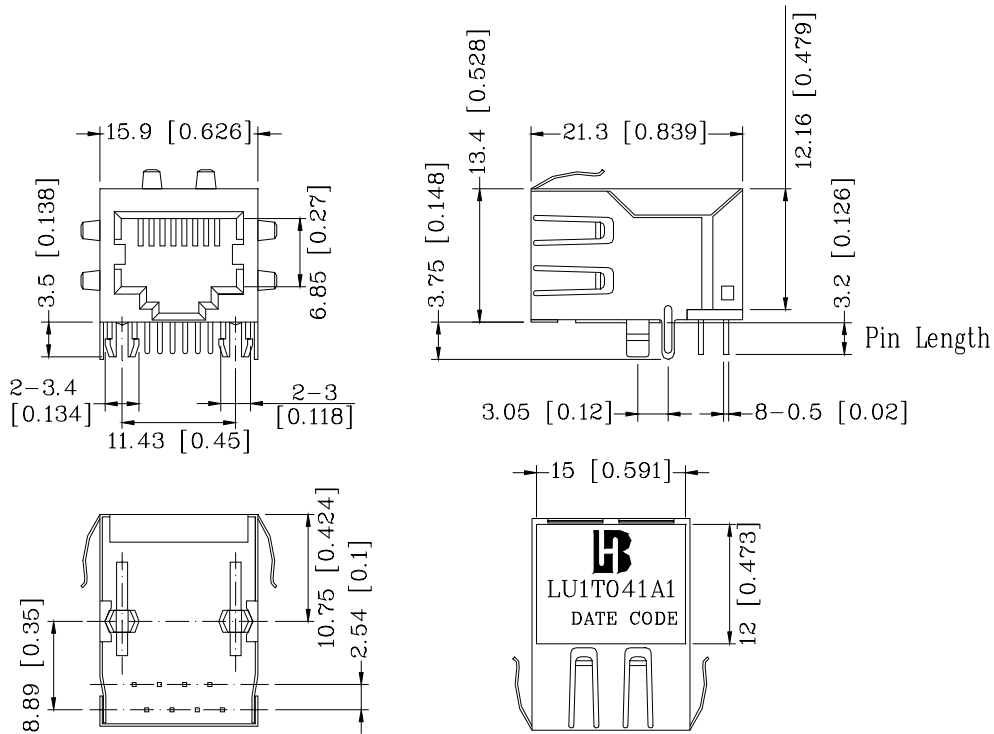




LU1T041A1 "LAN-MATE" SERIES

SINGLE RJ45 CONNECTOR MODULE WITH INTEGRATED 10/100 BASE-TX MAGNETICS

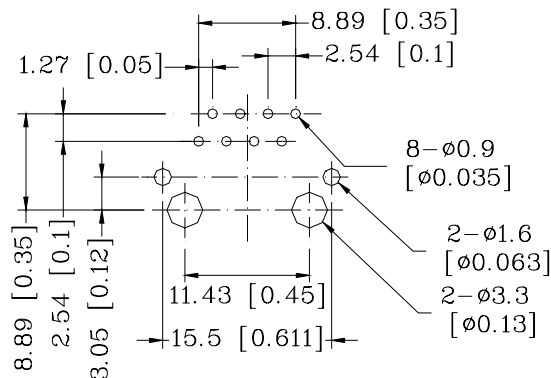
D. Mechanical:



Units: mm[Inches] Tolerances: ±0.25[0.01]

1. Plastic Material : PBT 15% Glass Filled (UL 94V-0) , Black Housing
2. Metal Shield : Brass C2680-H, 20u Nickle Plated, t=0.25mm
3. Spring Wire : 0.45mm Dia. Phosphor bronze with 6u gold plated .
4. Solder Pin : 0.4x0.4mm ,Phosphor bronze with Solder plated
5. Durability : 300 Mating cycles Min .

E. PCB Layout Mounting Hole (Top View)



Units: mm[Inches] Tolerances: ±0.25[0.01]

