

“LAN-MATE” SERIES

SINGLE RJ45 CONNECTOR MODULE WITH INTEGRATED 10/100 BASE-TX MAGNETICS AND LEDS

P/N: LU1T041A1-34

Feature



- Operating temperature range: 0°C to +70°C.
- Storage temperature range: -25°C to +85°C
- Recommended panel

| Part Number | Standard LED | Forward*V(Max) | (TYP) |
|-------------|--------------|----------------|-------|
| 3           | YELLOW       | 2.6V           | 2.1V  |
| 4           | GREEN        | 2.6V           | 2.2V  |

\*with a forward current of 20mA

Electrical Specifications @ 25°C

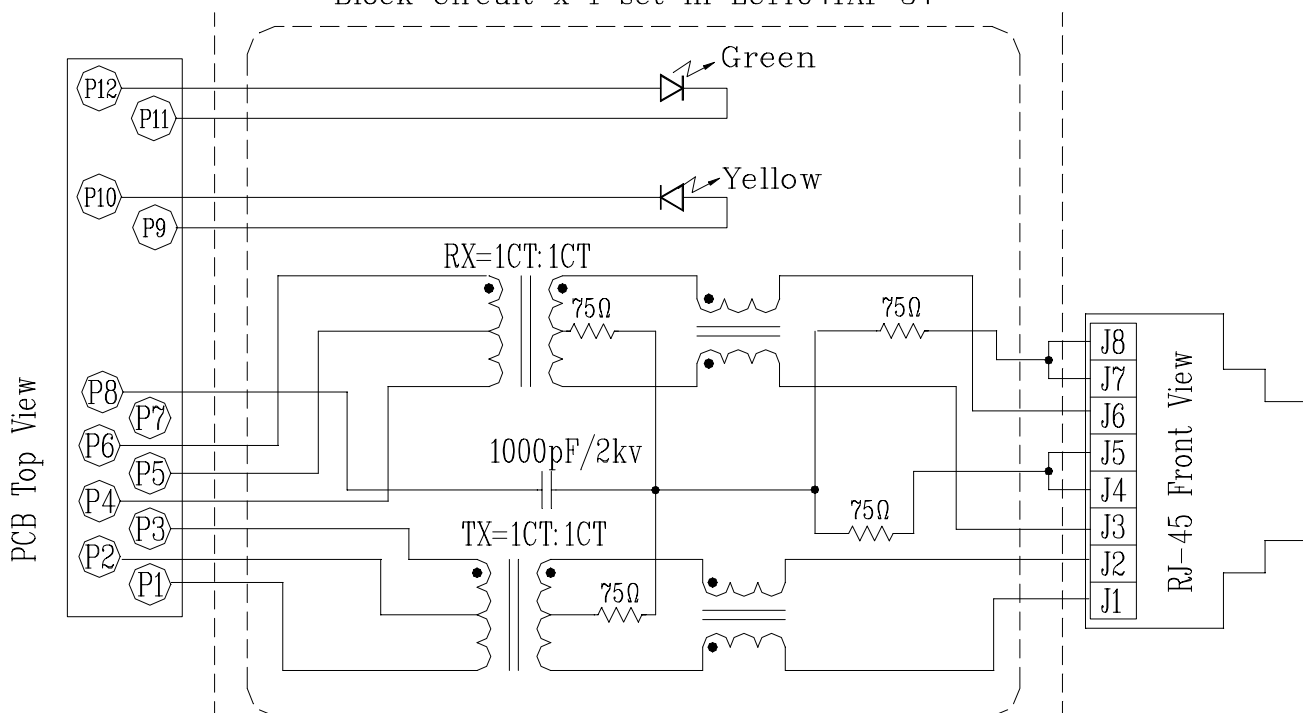
| Part Number  | Turns Ratio (±3%) |         | OCL(uH Min)<br>@ 100 KHz/0.1V<br>with 8mA DC Bias | C <sub>www</sub><br>(pF Max) | L.L<br>(uH Max) | DCR<br>(Ω Max) | Rise Time<br>(10-90%)<br>nS Max | HI-POT<br>(V <sub>ac</sub> ) |
|--------------|-------------------|---------|---|------------------------------|-----------------|----------------|---------------------------------|------------------------------|
|              | TX                | RX      |   |                              |                 |                |                                 |                              |
| LU1T014A1-34 | 1CT:1CT           | 1CT:1CT | 350   | 28                           | 0.5             | 1.2            | 2.5                             | 1500                         |

Continue

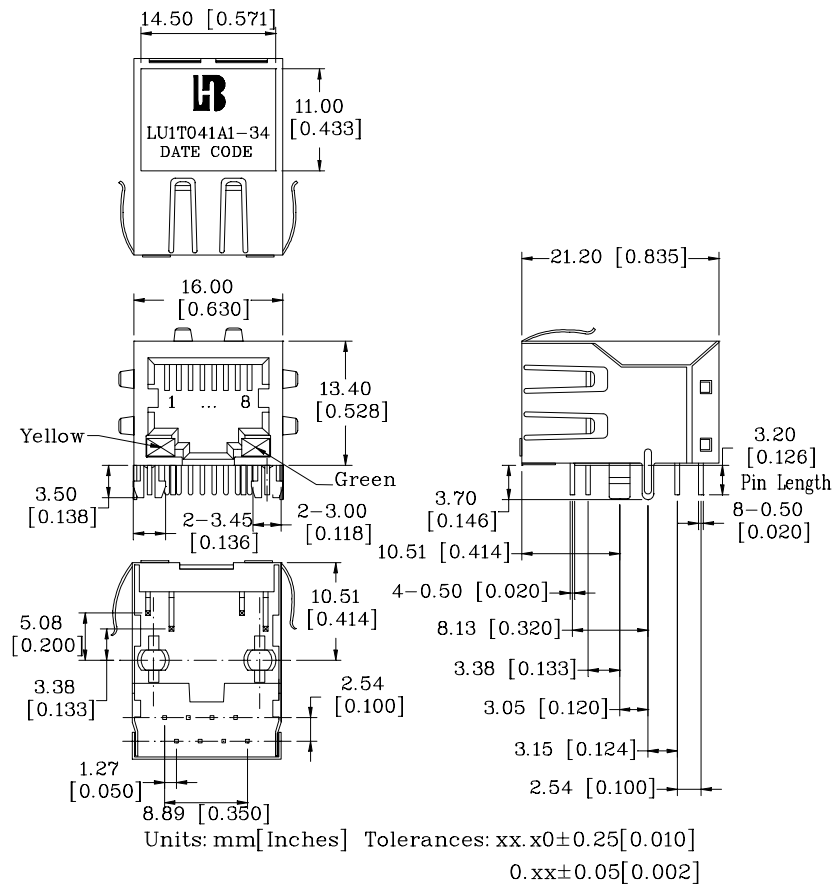
| Part Number  | Insertion Loss<br>(dB Max) | Return Loss<br>(dB Min) |       |       |       |       | Cross talk<br>(dB Min) |           | CMR<br>(dB Min) |         |
|--------------|----------------------------|-------------------------|-------|-------|-------|-------|------------------------|-----------|-----------------|---------|
|              |                            | 0.3-100MHz              | 30MHz | 40MHz | 50MHz | 60MHz | 80MHz                  | 0.3-60MHz | 60-100MHz       | 1-60MHz |
| LU1T014A1-34 | -1.15                      | -16                     | -14   | -13.5 | -13   | -10   | -45                    | -35       | -35             | -28     |

Schematic

Block Circuit x 1 set in LU1T041A1-34

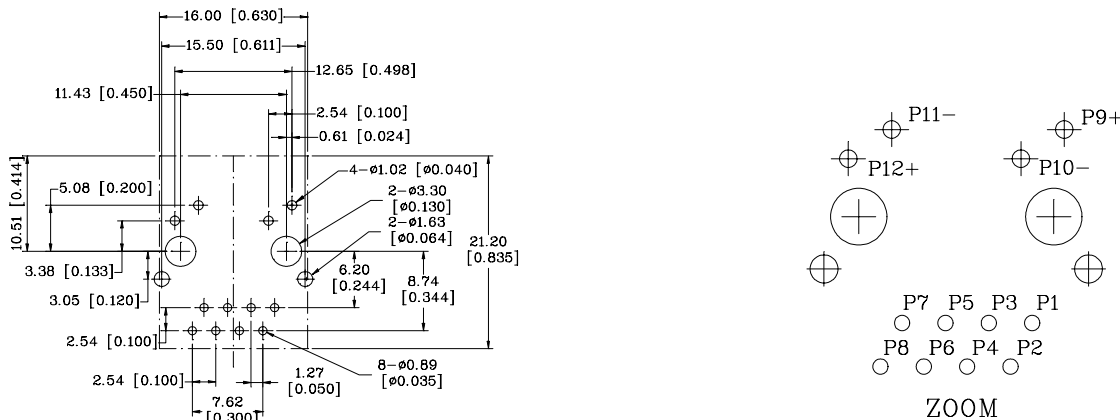


**Mechanical**



- 1. Plastic Material : PBT 15% Glass Filled(UL 94V-0), Black Housing
- 2. Metal Shield : Brass C2680-H, 20u Nickel Plated, t=0.25mm
- 3. Spring Wire : 0.45mm Dia. Phosphor bronze with 6u gold plated
- 4. Solder Pin : 0.4x0.4mm, Phosphor bronze with solder Plated
- 5. Durability : 300 Mating-cycles Min.

**PCB Layout Mounting Hole(Top View)**



PCB LAYOUT MOUNTING HOLE (TOP VIEW)  
Units: mm [Inches] Tolerances: xx.x0±0.25 [0.010]  
0.xx±0.05 [0.002]