



DATA SHEET

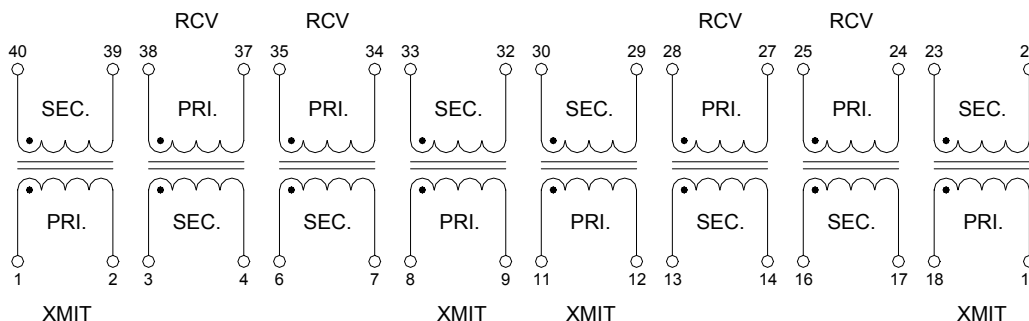
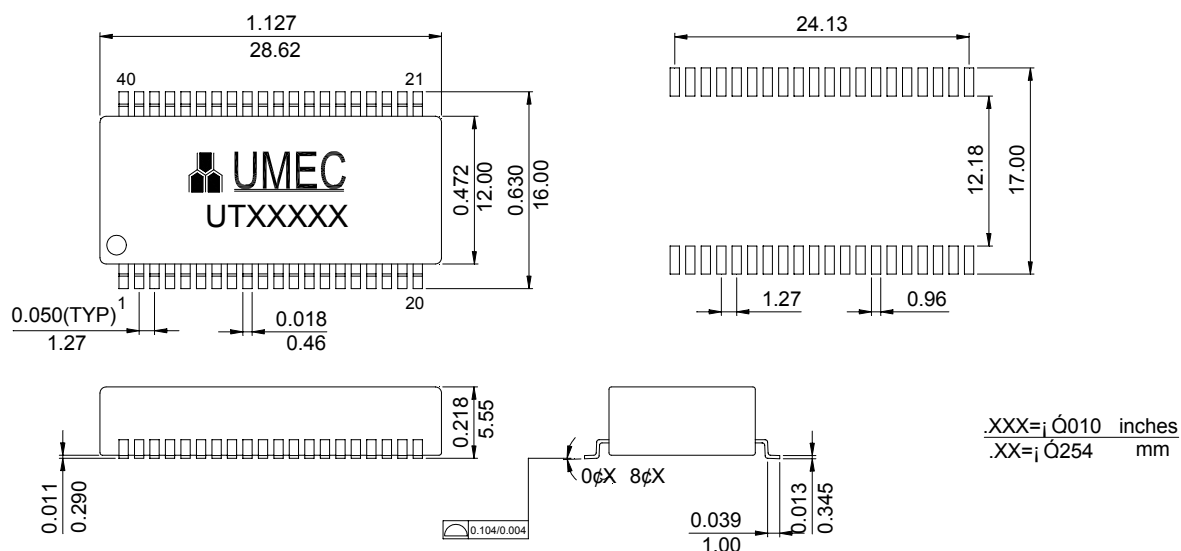
UM PART NO.:	SPECIFICATIONS	REV.	1/1
UT23024	T1/E1/CEPT/ISDN-PRI TRANSFORMERS	B0	02/04

ELECTRICAL SPECIFICATIONS AT 25°C:

1. XMIT TURNS RATIO : 1:2.4±2% AT 15.75KHz 1Vrms.,
RCV TURNS RATIO : 1:1±2% AT 15.75KHz 1Vrms.,
2. PRI. INDUCTANCE : 1.0 mH min. AT 10KHz 20mVrms.
3. INTERWINDING CAPACITANCE : 35 pF max. AT 100KHz 1Vrms.
4. LEAKAGE INDUCTANCE : 0.5 uH max. AT 100KHz 1Vrms.
5. DC RESISTANCE : 0.6Ω max., XMIT & RCV
6. HI-POT : 1500Vrms/2SEC. LEAKAGE CURRENT 0.5mA Max. PRI. TO SEC.
7. PRI. PINS : XMIT (1-2),(8-9),(11-12),(18-19)
RCV (24-25),(27-28),(34-35),(37-38)

APPROVED By UL 1950 , UL FILE NO. E212730.

DIMENSIONS & SCHEMATICS:



- NOTE: 1. PACKAGING INFORMATION-TAPE AND REEL
ACCORDING TO ITEM NO. "SO40" OF DATA SHEET 01-00
2. Specifications are subject to change without prior notice.



UMEC Europe
Universal Microelectronics

Internet: www.umec.de

UMEC elektronische Komponenten GmbH
Kreuzenstraße 80 • D-74076 Heilbronn
Tel. 07131/76170 • Fax 07131/761720

e-mail: info@umec.de