



# 10/100 BASE –TX VOICE OVER IP MAGNETICS MODULE

P/N: UE-VP2008 LF

Page : 1/1

## Feature



- IEEE 802.3af/ANSI X3.263 compliant performance.
- 350mA current capability.
- Designed for IP phone or switch applications.
- Compact footprint.
- Lead free for external pins.
- Operating temperature range : 0°C to +70°C
- Storage temperature range: -25°C to +125°C

## Electrical Specifications @ 25°C

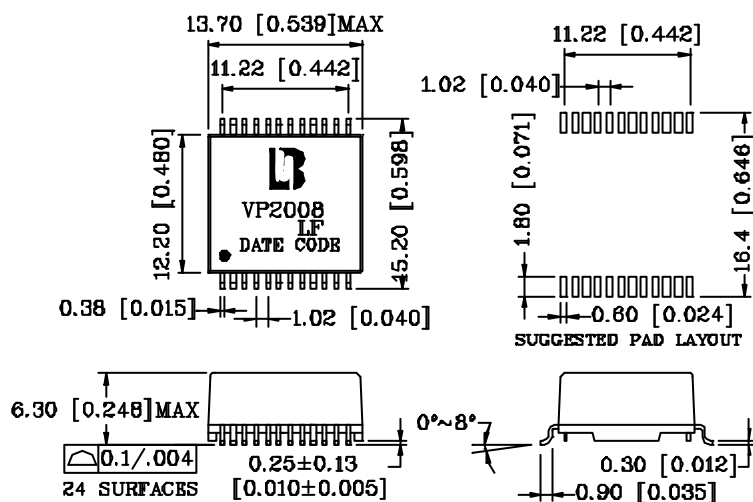
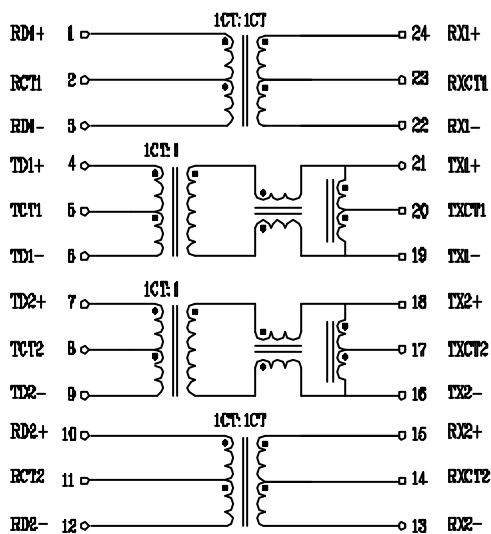
Part Number	Turn Ratio		Cross talk (dB Min)			HI-POT (Vrms Min)
	TX	RX	30MHz	60MHz	100MHz	
UE-VP2008 LF	1CT:1	1CT:1CT	-43	-37	-33	1500

## Continue

Part Number	Insertion Loss (dB Max)	Return Loss (dB Min )@ Load 100Ω				DCMR (dB Min)		
		1-30MHz	40MHz	50MHz	60-80MHz	30MHz	60MHz	100MHz
UE-VP2008 LF	-1.2	-16	-14	-13	-12	-40	-35	-30

## Schematic

## Mechanical



Units: mm[Inches] Tolerance: xx.x0±0.25[0.010]  
0.xx±0.05[0.002]



UMEC GmbH

UMEC elektronische Komponenten GmbH

Kreuzenstraße 80 ● D-74076 Heilbronn

Tel. 07131/7617-0 ● Fax 07131/7617-20 www.umeu.de

A0(05/05)