

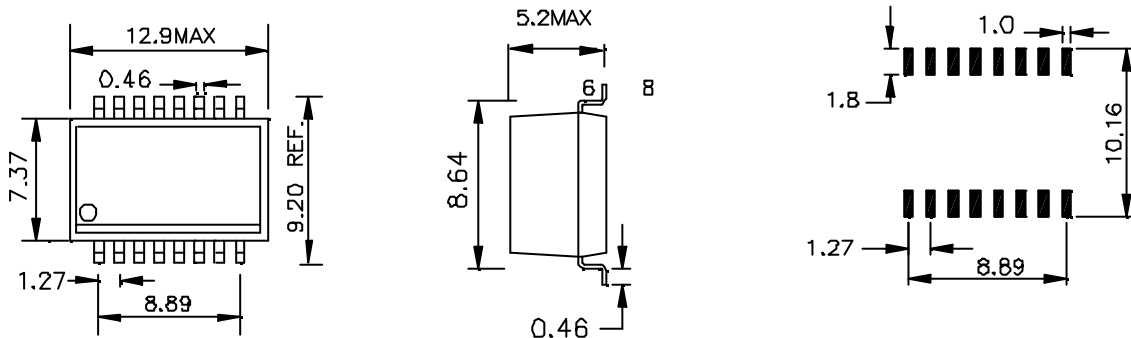


UM PART NO.: <b>UT23014</b>	SPECIFICATIONS	REV.	1/1
	<b>DUAL T1/E1 TRANSFORMERS</b> <b>FOR Infineon #FALC56 APPLICATIONS</b>	<b>A3</b>	<b>00/25</b>

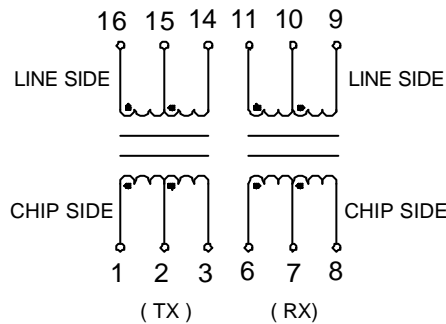
**ELECTRICAL SPECIFICATIONS AT 25 °C :**

1. TURNS RATIO : 1CT:2.42CT±2% AT 15.75KHz 1Vrms.PIN(1-2-3):(16-15-14)  
1CT:1CT±2% AT 15.75KHz 1Vrms.PIN(6-7-8):(11-10-9)
2. PRI. INDUCTANCE : 1.5mH Typ. AT 100KHz 20mVrms.
3. INTERWINDING CAPACITANCE : 35pF Max. AT 100KHz 1Vrms.
4. PRI. LEAKAGE INDUCTANCE : 0.5uH Max. AT 100KHz 1Vrms.
5. PRI. D.C.RESISTANCE : 0.8Ω Max.
6. HI-POT : 1500Vrms/2sec. LEAKAGE CURRENT 0.5mA Max. PRI. TO SEC.
7. CROSSTALK : -65dB Typ. AT 0.5~5MHz
8. PRI. PINS : 1-3 , 6-8
9. OPERATING TEMPERATURE : -40°C TO +85°C

**DIMENSIONS & SCHEMATICS:**



XX= ±.25mm



NOTE: 1.PACKAGING INFORMATION-TAPE AND REEL  
 ACCORDING TO ITEM NO. "SO16" OF DATA SHEET 01-00  
 2.Specifications are subject to change without prior notice.

E10-007-B

