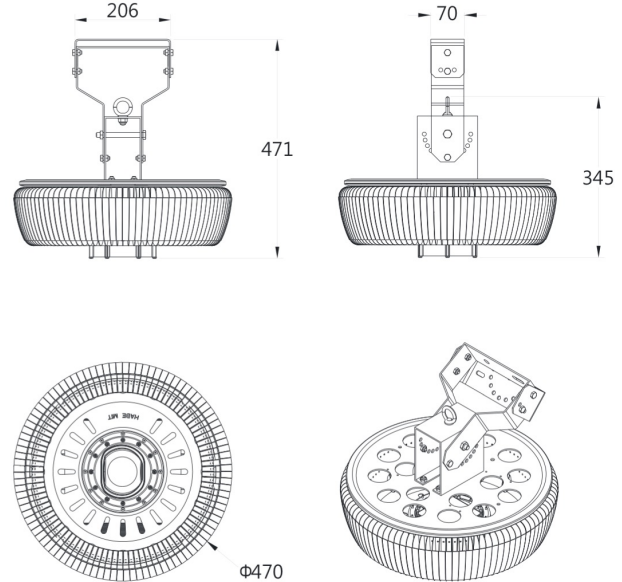




LED COB High Bay Light



Dimensions (mm)

HABE 2 300W

Features

- **The Best Quality and Reliability** 3-year warranty (special warranty on request)
- **Optimize Energy Saving** Up to 60% saving compared with HPS lamp
- **Excellent Thermal Management** High performance and long life
- **Extremely Tough** Operating temperature is up to 70°C
- **Different Mounting Options** Adjustable bracket and ring bracket

Specifications

- **Light Source** Single COB LED
- **Power Rating** 300W
- **System Efficacy** Up to 115 lm/W
- **Input Voltage** 100 – 240Vac / 200 – 480Vac 50 – 60Hz
- **Power Factor** ≥ 0.95 @230Vac
- **CCT** 3000 / 4500 / 5700 (K)
- **CRI** 75 ± 5 Ra
- **Beam Angle** 20°, 40°, 60°, 90° and 120°
- **IP Code** IP66 / IP67
- **Operating Temp.** -30 to 70°C
- **Net Weight** 9 kg ± 10% (depend on options)
- **Mounting Height** Up to 35m



Applications

- Ship
- Wharf
- Factory
- Warehouse
- Convention hall

Replacement

- 700W HPS lamp



Optical-Glass Lens

- Optional lens for different applications
- Beam angle: 20°, 40°, 60°, 90° and 120°
- Never yellowing

LED Light Engine

- Long life (≥ 5 years)
- Single COB LED
- IP66 / IP67 rated, ideal for outdoor use

The Stable HABE 2

- High performance of “HABE 2 High Bay Light” has the best C/P value suitable to install it in high and harsh environment which can provide user brighter, stable and high quality lighting. It is more superior to replace 500W to 700W HPS.