

DATA SHEET

UM MODEL NO.:	SPECIFICATIONS	REV.	
UT90529	TX Module for Wireless Power Charger	A0	2012/45

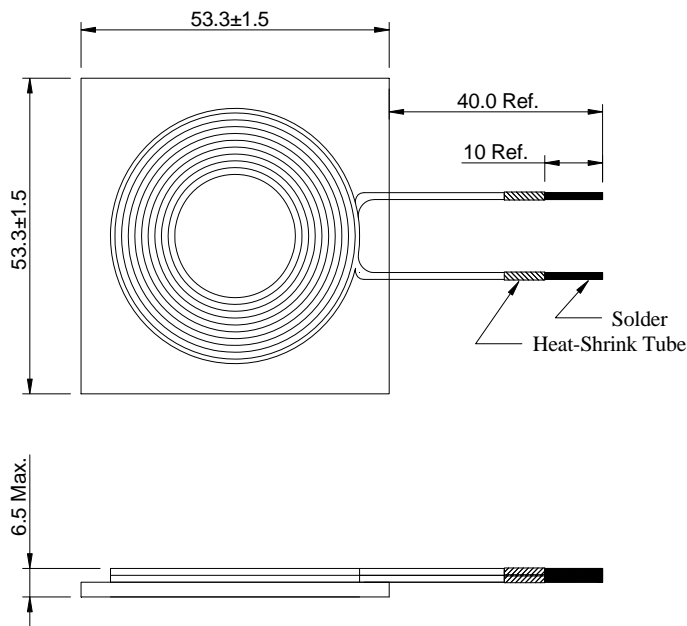
Features:

1. Meet to Qi standard of A10.
2. For primary transmitter assembly.
3. Integrated in the plate for transmitting power.

Electrical specification at 25°C:

- 1.) Inductance : 24uH Typ., @100KHz 1V
- 2.) DCR : 73.5mΩ Typ.

Schematic diagram & Dimension:



- NOTE: 1. For RoHS compliant products:
- a.) Ordering code (Manufacturer Part Number): **TG-UT90529**
 - b.) Date Code suffix to "G" (xxxxG)
 - c.) Solder : Sn/Cu
2. Specifications are subject to change without prior notice.

UNIT : mm



UNIVERSAL MICROELECTRONICS CO.,LTD.
 TEL:886-4-23590096 FAX:886-4-23590129
<http://www.umec-web.net> E-mail:business@umec.com.tw

3,27TH RD.,TAICHUNG INDUSTRIAL PARK,
 TAICHUNG,TAIWAN,R.O.C

E10-007-C