

Voltage Amplifier Transformers For Ultrasonic Sensors

- Ultrasonic transceiver driver used for
 - Ultrasonic Park assist
 - Industrial distance measuring
 - Robotics
- EP6 Type with ferrite core.
- Operating Frequency : 52KHz
- Operating Temperature: -40°C to +85 °C.
- Storage Temperature: -40°C to +85 °C.

ELECTRICAL SPECIFICATIONS @25°C

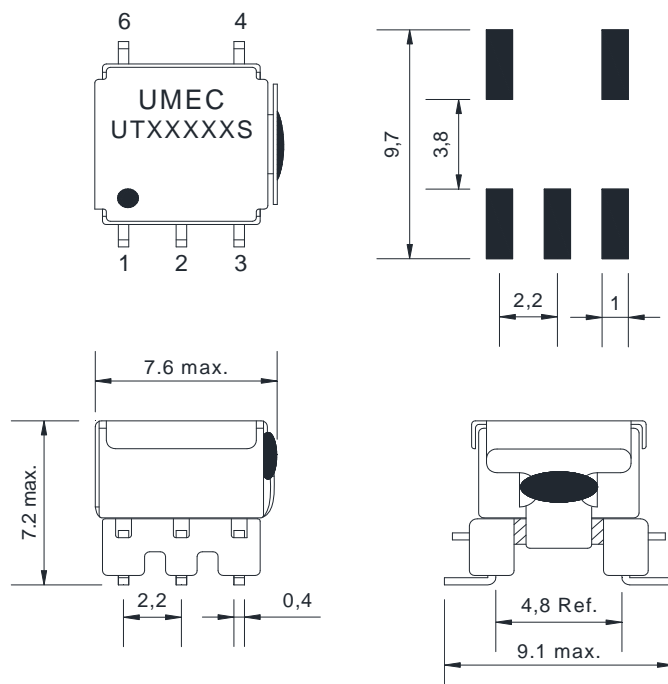
Model No.	Inductance ¹ (mH)	DCR max (Ohms)			Leakage Inductance max (uH) ²	Interwinding Capacitance Max. (pF) ³	Turns ratio	Hi-Pot (Vac)
		N1	N2	N3			N1 : N2 : N3	
UT90545S	4.10 +/-8%	3.0	3.0	40.0	150	15	1:1:11.75	200
UT90555S	3.0 +/-10%	3.0	3.0	30.0	100	15	1:1:8.42	200

1. Inductance is for the primary, measured at 52kHz, 1Vrms.
2. Leakage inductance measured at 52kHz, 1Vrms, between pins 4 and 6 with all other pins shorted.
3. Interwinding Capacitance measured at 52kHz, 1Vrms, between pins 3 and 4 .

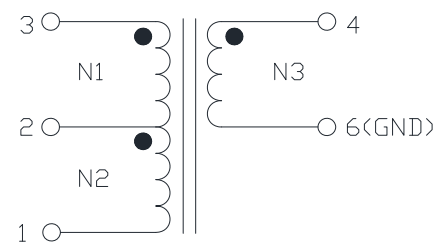
Note: For RoHS compliant products:

- a.) The UMEC ordering code: EX. **TG-UT90545S**
- b.) Solder: Sn/Ag/Cu
- c.) Date Code suffix to "G" (xxxxG).

MECHANICAL & SCHEMATIC:



UNIT: mm



DATA SHEET 01-90 DEC./30/2016
1 OF 1



UNIVERSAL MICROELECTRONICS CO.,LTD.
TEL:886-4-23590096 FAX:886-4-23590129

3,27TH RD.,TAICHUNG INDUSTRIAL PARK,
TAICHUNG,TAIWAN,R.O.C