



Specification
of
3Ru AC Power supply module for CATV Integrate system
PSM-3UCATVUM Series



Universal Microelectronics
Photonics Division
Catalog 2008~ 2009



3Ru AC power supply module for CATV integrate system

Features

- Module design for 19" standard 3U rack
- 90 to 264VAC / 47 to 63Hz
- 24V DC test point
- Short Circuit Protection- Auto-Recover
- 24±0.5VDC/200Watt
- Status LED/ DC out LED
- AC input on/ off switch
- Hot swap
- Second PS module (option) plug in can redundant

Applications

- Cable TV integrate system

Product Characteristics

Functional description

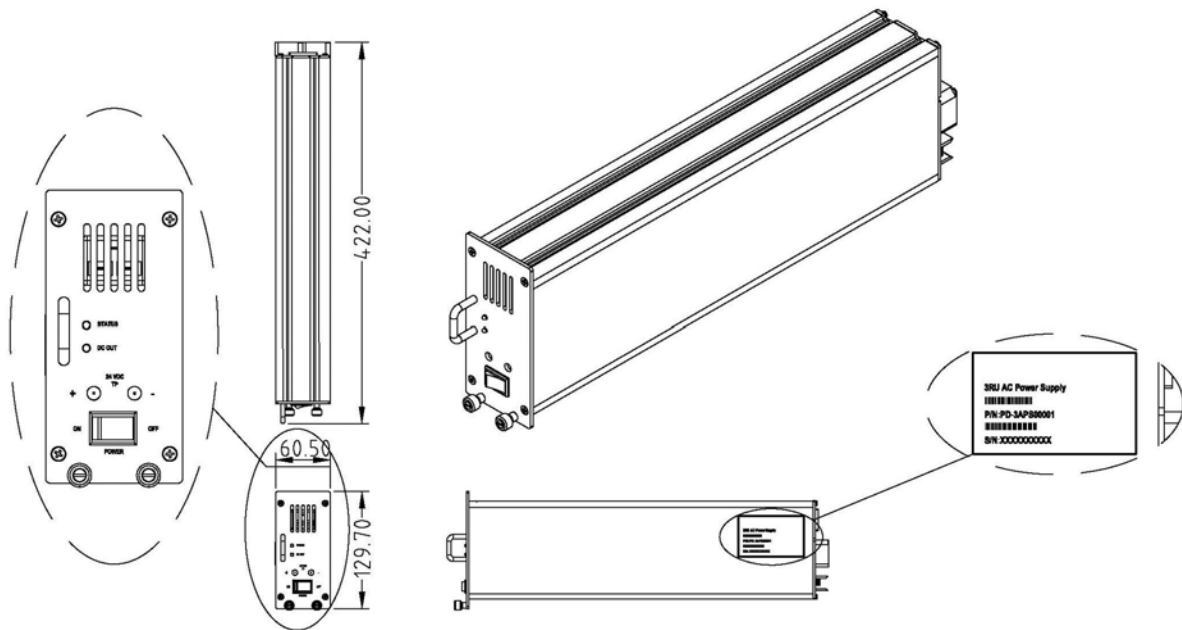
STATUS LED	Green=Normal, Red=Alarm
DC OUT LED	Green=Power supply DC out No light=Power supply no DC out
24 VDC TP	24VDC test point
POWER Switch	AC input ON/OFF switch
Specifications	
AC Input Voltage	90 to 264VAC / 47 to 63Hz
AC Input Current	Max. 3.0A
AC Input Connector	IEC male plug
DC Output Voltage	24.0±0.5VDC / 200Watt
DC Output Noise Ripple, Vp-p	240mV
Efficiency, type	70%
Short Circuit Protection	Auto-Recover



Environmental specification

Power Consumption	Watt
Operational Temperature Range	0 to 50°C (32 to 122°F)
Storage Temperature Range	-40 to 70°C (-40 to 158°F)
Relative Humidity	Max. 85% non-condensing
Dimensions	60.5mm W (x2 slot) x 129.7mm H x 422mm D
Weight	1.8 Kg

Mechanical outline



Packing List

Item	Name	QTY
1	3RU Power Supply Module	1
2	Antistatic Bag	1
3	Test report	1
4	Power Cord	1



Packing Picture

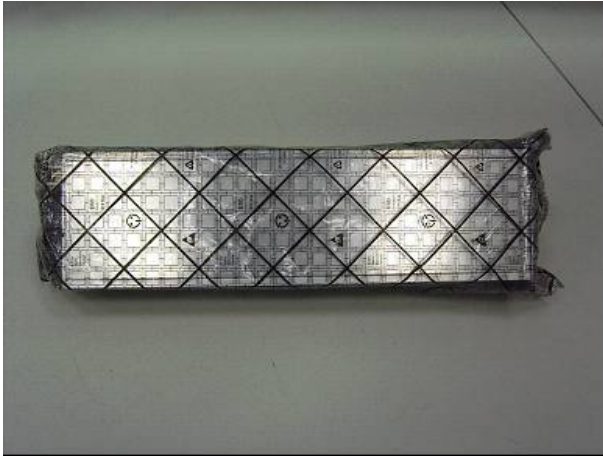


Fig 1



Fig 2



Fig 3



Fig 4

3RU AC Power Supply
P/N:PD-3APS00001
S/N:XXXXXXXXXX

Package Dimensions, mm.	L:504 x W:141 x H:184
-------------------------	-----------------------



Ordering Information

Special power supply module housing color and material upon customer request

UMEC provide standard PSM-3UCATVUM or ODM/ OEM power supply upon customer request.