



# Specification

of

Dense Wavelength Division Multiplexers (200G/100G DWDM)  
DWDM Series

Universal Microelectronics  
Photonics Division



## Coarse Wavelength Division Multiplexers (200G/100G DWDM)

### Features

- Low PDL
- Low Insertion Loss
- Excellent Uniformity
- High Directivity
- Highly Stable and Reliable

### Applications

- Telecommunications
- Local Area Network (LAN)
- Passive Optical Network (PON)
- Cable TV
- Fiber sensors

## Product Characteristics Performance

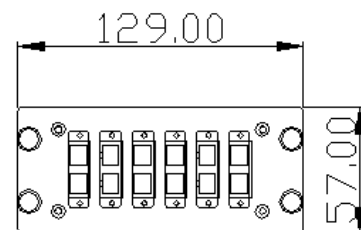
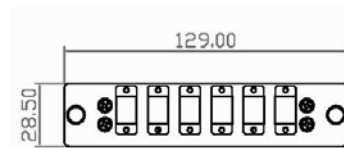
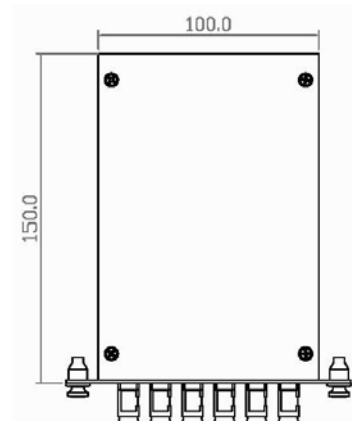
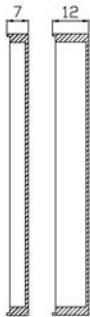
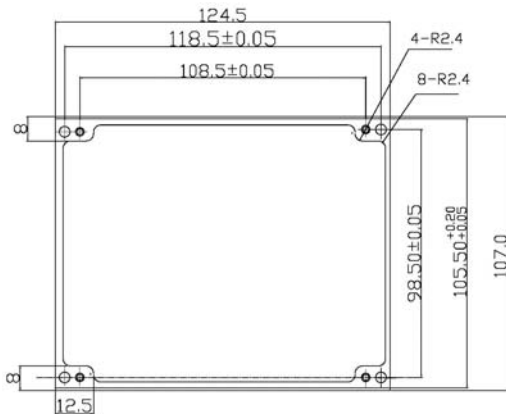
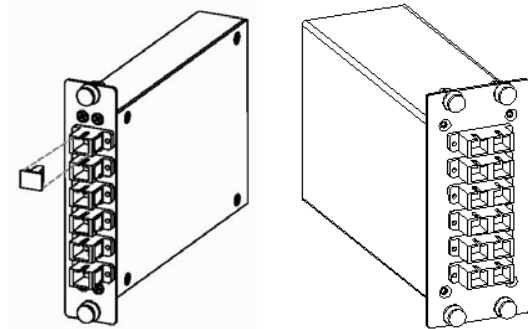
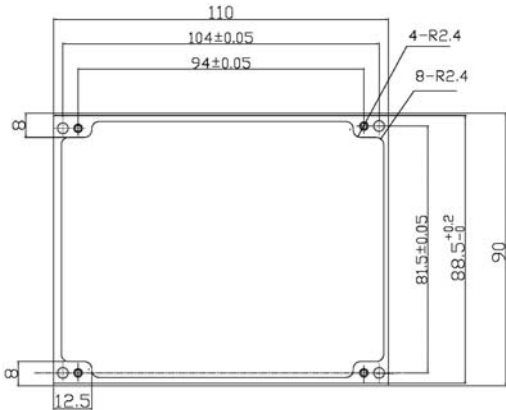
Parameters	200GHz			100GHz		
	1 x 4	1 x 8	1 x 16	1 x 4	1 x 8	1 x 16
Central Wavelength(nm)	ITU grid			ITU grid		
Min. Channel Pass Band @-0.5dB	ITU $\pm$ 0.25			ITU $\pm$ 0.11		
Max. Insertion Loss(dB)	1.7	2.9	3.8	1.8	3.0	4.0
Max. Insertion Loss Uniformity(dB)	1.0	1.5	2.0	1.0	1.5	2.0
Max. Pass Band Ripple(dB)	0.35	0.4	0.5	0.35	0.4	0.5
Min. Adjacent Channel Isolation(dB)	28(Demux)			25(Demux)		
Min. Non-adjacent Channel Isolation(dB)	40			40		
Min. Directivity(dB)	50			50		
Min. Return Loss(dB)	45			45		
Max. PDL(dB)	0.2			0.2		
Max. PMD(ps)	0.1			0.1		
Power Handling(Max.)	300mW			300mW		
Operation Temperature	-5 ~ +65 °C			-5 ~ +65 °C		
Storage Temperature	-40 ~ +85 °C			-40 ~ +85 °C		

- Special dimension upon request
- All values specified are without connectors
- The Maximum insertion loss of connector will be 0.3 dB



### Mechanical outline

Package type	Housing type	Dimension	Pigtail style
Type A	Aluminum	110mm(L) x 90mm(W) x 7 or 12mm(H) 124.5mm(L) x 107mm(W) x 7 or 12mm(H)	900 μm loose tube
Type G	LGX box	150mm x 129mm x 28.5 or 57mm	Output port is adapter





### Ordering Information

**M - X X XXXX X X X X UM X**

