



Specification

of

Filter Wavelength Division Multiplexers (FWDM)
FWDM Series

Universal Microelectronics
Photonics Division



Filter Wavelength Division Multiplexers (FWDM)

Features

- Low PDL
- Low Insertion Loss
- Excellent Uniformity
- High Directivity
- Highly Stable and Reliable

Applications

- Telecommunications
- Local Area Network (LAN)
- Passive Optical Network (PON)
- Cable TV
- Fiber sensors

Product Characteristics Performance

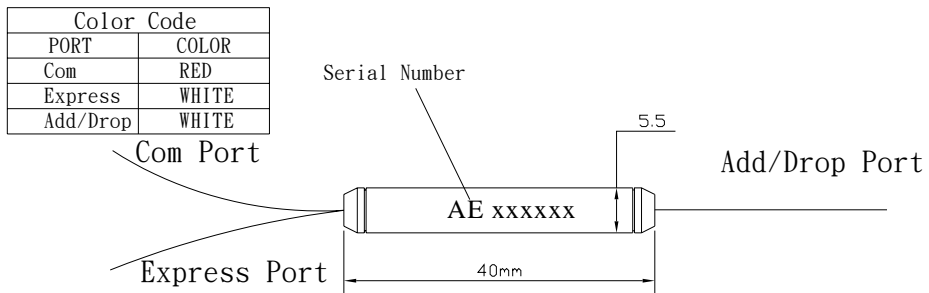
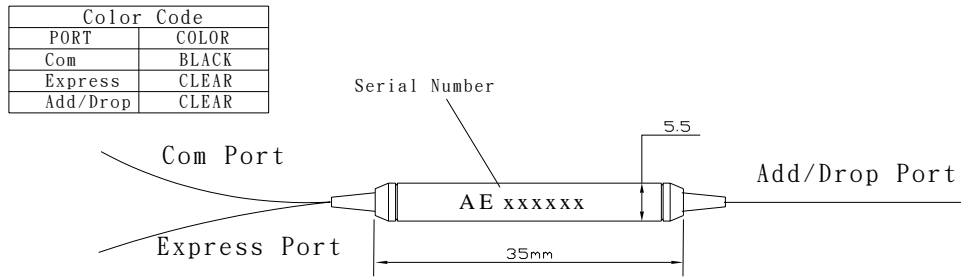
Parameters	980R/1550T	1480R/1550T	1310R/1550T	1550R/1310T	1550R/1310&1490T	1625R/1310&1550T
Pass Band(nm)	1530~1610	1530~1610	1460~1620	1260~1360	1310±50 1490±10	1260~1360 1520~1590
Reflection Band (nm)	965~995	1460~1490	1260~1360	1460~1620	1550±10	1610~1660
Max. Pass Band Insertion Loss(dB)	1.0	0.7	0.8	0.8	0.8	0.8
Max. Ripple in Pass Band(dB)	0.3	0.3	0.3	0.3	0.5	0.5
Max. Reflition Band Insertion Loss(dB)	0.6	0.4	0.6 High Iso. : 0.8	0.6	0.6 High Iso. : 0.8	0.6
Min. Isolation in Pass Band(dB)	30	30	45	45	40	@ 1625 : 40
Min. Isolation in Reflection Band(dB)	15	15	15 High Iso. : 45	15	15 High Iso. : 40	10
Max. PDL(dB)	0.15	0.15	0.2	0.2	0.25	0.15
Min. Return Loss (dB)	45					
Min. Directivity(dB)	50					
Power Handling(Max.)	300mW					
Operation Temperature	Indoor : -5 ~ +70 ℃ ; Outdoor : -40 ~ +70 ℃					
Storage Temperature	-40 ~ +85 ℃					

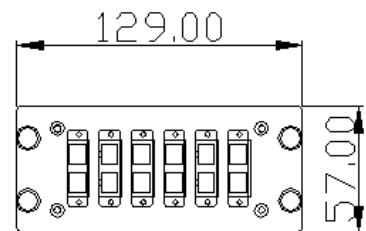
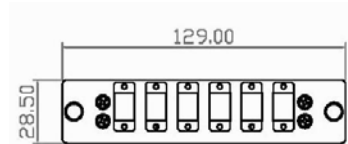
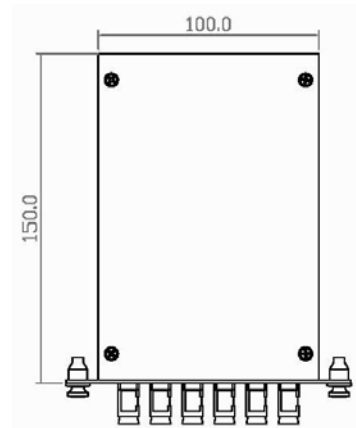
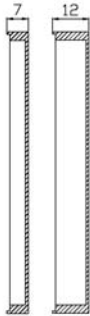
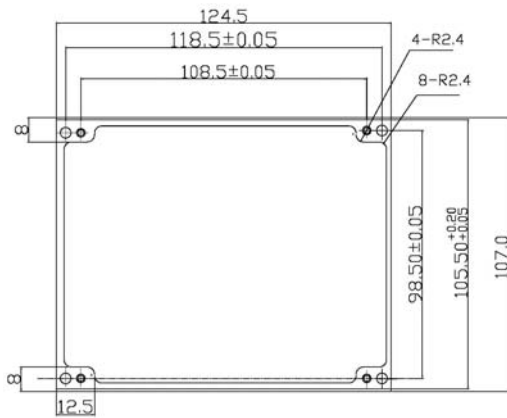
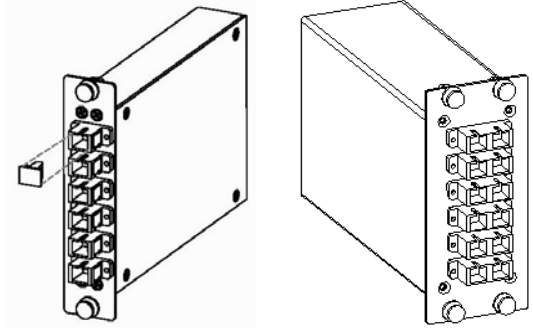
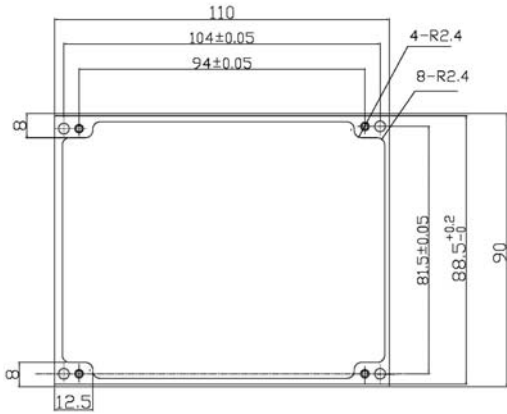
- Special dimension upon request
- All values specified are without connectors
- The Maximum insertion loss of connector will be 0.3 dB



Mechanical outline

Package type	Housing type	Dimension	Pigtail style
Type B	Steel tube	5.5mm(ϕ)x35mm(L)	250 μ m Bare fiber
Type L	Steel tube	5.5mm(ϕ)x40mm(L)	900 μ m Loose tube
Type A	Aluminum	110mm(L) x 90mm(W) x 7 or 12mm(H) 124.5mm(L) x 107mm(W) x 7 or 12mm(H)	900 μ m loose tube
Type G	LGX box	150mm x 129mm x 28.5 or 57mm	Output port is adapter







Ordering Information

FWDM X X X X X X X X UMX

