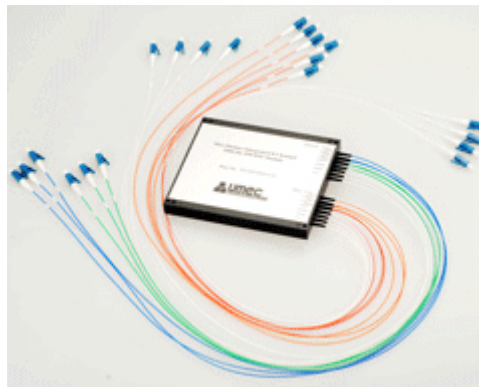


# *Specification*

## **Coarse Wavelength Division Multiplexers (CWDM)**



**Universal Microelectronics  
Photonics Division**

**2012**

## CWDM Mux/Demux Module

### Features

- Low Insertion Loss
- High Isolation
- Low Polarization Dependent Loss
- Epoxy Free on Optical Path
- High Stability and Reliability

### Applications

- Access Networks
- Metro WDM Systems
- Enterprise Networks
- WDM PON System

### Product Performance

Parameter	1 channel		4 channel		8 channel		16 channel		
	Mux	Demux	Mux	Demux	Mux	Demux	Mux	Demux	
Operating Wavelength (nm)	1460~1620(Half Band) or 1260~1620(Full Band)								
Channel Spacing (nm)	20								
Center Wavelength (nm)	1x1 or 1x0 (Customized)								
Channel Passband (nm)	CW +/- 6.5								
Maximum Insertion Loss (dB)	0.8	0.8	1.2	1.5	2.5	2.8	3.2	3.5	
Minimum Isolation (dB)	Adjacent Channel	15	35	15	35	15	35	15	35
	Non-adjacent Channel	15	50	15	50	15	50	15	50
Minimum Directivity (dB)	50								
Minimum Return Loss (dB)	45								
Maximum Thermal Dependent Loss (dB/°C)	0.005								
Maximum Polarization Dependent Loss (dB)	0.1								
Maximum Polarization Mode Dispersion (ps)	0.1								
Maximum Passband Ripple (dB)	0.5 (Typ. 0.3)								
Minimum Tensile Load (N)	5								
Minimum Power Handling (mW)	300								
Operating Temperature (°C)	-5 ~ + 70								
Storage Temperature (°C)	-40 ~ + 85								
Fiber Type	G.652D or G.657A								
Fiber Jacket	Bare fiber, 900um, 2.0mm, 3.0mm								
Dimension(L x W x H)(mm)	110 x 90 x 12	110 x 90 x 12	110 x 90 x 12	110 x 90 x 12	110 x 90 x 12	110 x 90 x 12	124.5 x 107 x 12	124.5 x 107 x 12	

.....

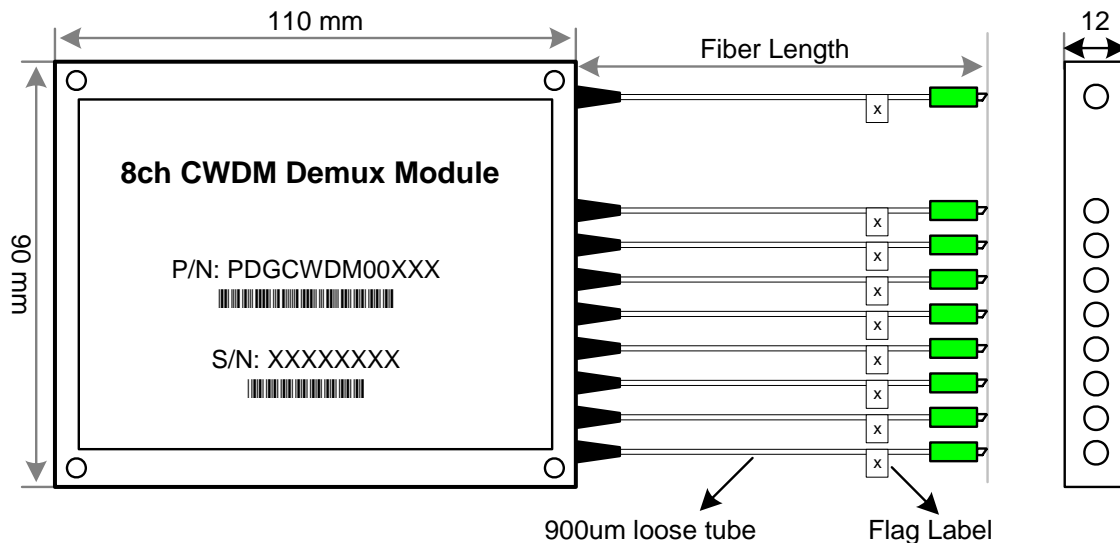
Head Office: 3, 27<sup>th</sup> Rd., Taichung Industrial Park Taichung, (40850) Taiwan  
 China Factory: Hao Ye Rd., Tong Fu Yu Industrial Park, Fu Yong Town, Baoan, Shenzhen, China  
 Tel: +86-755-27335666 Fax: +86-755-27335888  
 Website: www.umec.com.tw E-mail: photonics@umec.com.tw

- All values specified are without connectors.
- The maximum connector loss is 0.3dB for a pair.
- LGX & Rack Mount packaged products are available. Other special dimension and Mini Size package is also available.

## Mechanical Outline

Package type	Housing type	Dimension (L x W x H)	Pigtail style
Type 1	ABS	120mm x 80mm x 18mm	250μm Bare fiber & 900um tube & 2.0/3.0mm Cable
Type 2	Cassette	110mm x 90mm x 12mm	250μm Bare fiber & 900um tube & 2.0/3.0mm Cable
Type 3	Cassette	124.5mm x 107mm x 12mm	250μm Bare fiber & 900um tube & 2.0/3.0mm Cable
Type 4	LGX	150mm x 129mm x 28.5 mm	NA (inside the housing)
Type 5	Rack Mount	483.2mm x 250mm x 44mm	NA (inside the housing)

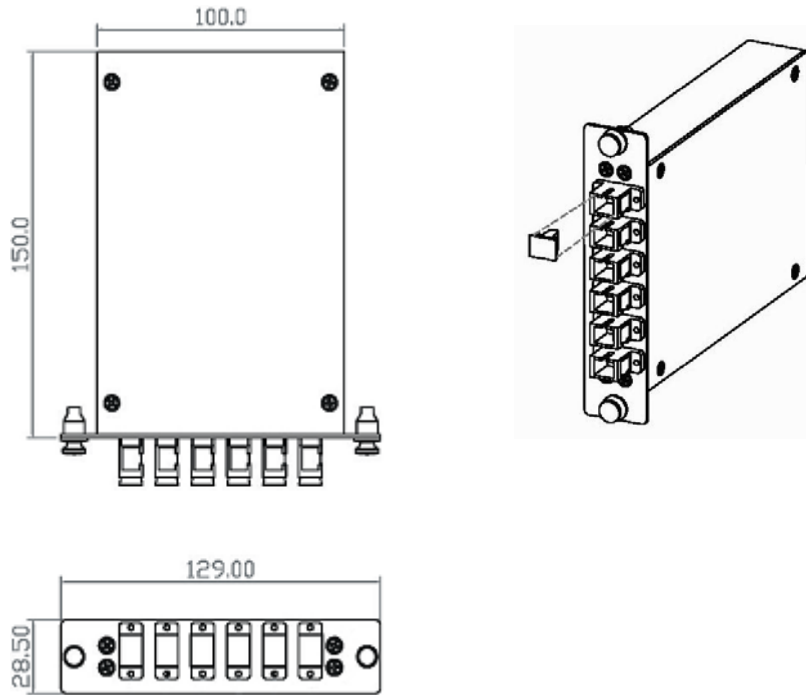
### Cassette Type:



Box Material: Al (Black)

Mounting Hole Dimension(mm):  $104_{+/-0.05} \times 81.5_{+/-0.05}$

**LGX Type:**



**19" Rack Type:**



**Ordering Information**

**MO-C-XX-X-XXXX-X-X-X-X-X-UM**

