



Specification
of
3RU Return Path Receiver Module
for CATV Integrate system
PD-3RRX00003



Universal Microelectronics
Photonics Division
Catalog 2008~2009



3RU Return Path Receiver Module for CATV integrate system

Features

- Module design for 19" standard 3U rack
- Hot swap
- Four receiver design
- 1 test point for receiver
- Optical power input range 0~ -18dBm

Applications

- Cable TV integrate system

01. Resume

The PD-3RRX00003 is a return path receiver module. The module has low noise PIN diode with high output level RF amplifier. The module features four optical input ports with redundancy and two RF output ports, which are located on the rear panel of the receiver module, providing up to 45dBmV output level. Monitoring and configuration control of the receiver module are all achieved through the SPI interface and the ANMS1000 network management module.

- Four optical input ports with redundancy
- Hot-swap capability
- Bandwidth 5~200MHz
- 45dBmV output level
- -18 to 0 dBm input optical power
- Manual attenuation control
- RF output test point
- **Remote attenuation control**

HMS SNMP variables are listed below.

heOpRxInputPower

heOpRxInputStatus

heOpRxOutputRFPadLevel

heFanUnitAlarm

heFanStatusAlarm

02. Optical Specifications

Optical wavelength	1200 to 1610 nm
Number of receivers	4
Optical input power	-18 to 0 dBm



03. RF Specifications

RF bandwidth	5 to 200 MHz	
RF flatness	±1 dB	
RF output return loss	≤-16 dB	
RF output impedance	75 ohm	Unbalance
RF output level	≥45 dBmV	1
CNR	≥48 dB	
IMD2	≥55 dBc	2
IMD3	≥60 dBc	2
Remote attenuation control	1 per step dB	Max.20dB

04. Monitor Port Performance

RF monitor point	-20dB
RF monitor point accuracy	±1dB

05. Connectors

RF connector	F-female
Optical connector	SC/APC

06. General

Operation Temperature	0 to 50°C
Storage Temperature	-40 to 70°C
Relative Humidity	Max. 85%, non-condensing
Dimensions	30.1W×129.7H×414.7D mm
Weight	1.2 Kg
Power Consumption	< 18 W

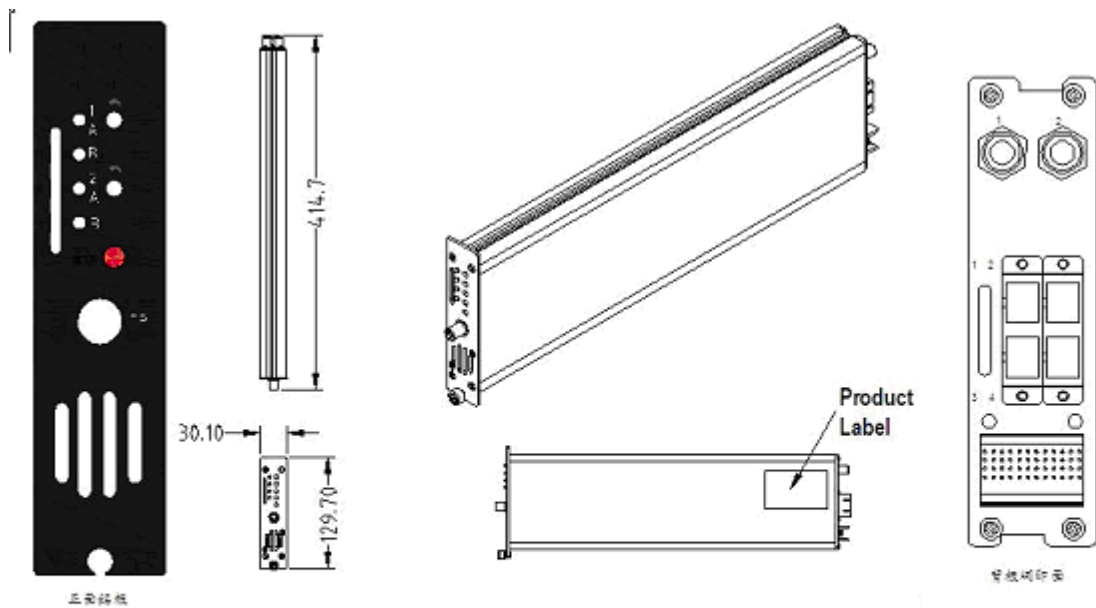
1. @-7dBm optical input, OMI=16%, 0dB attenuator setting
2. @45dBmV output, two tone test, f1=13MHz, f2=19MHz

07. Network Management Function (with RS-232 Interface)

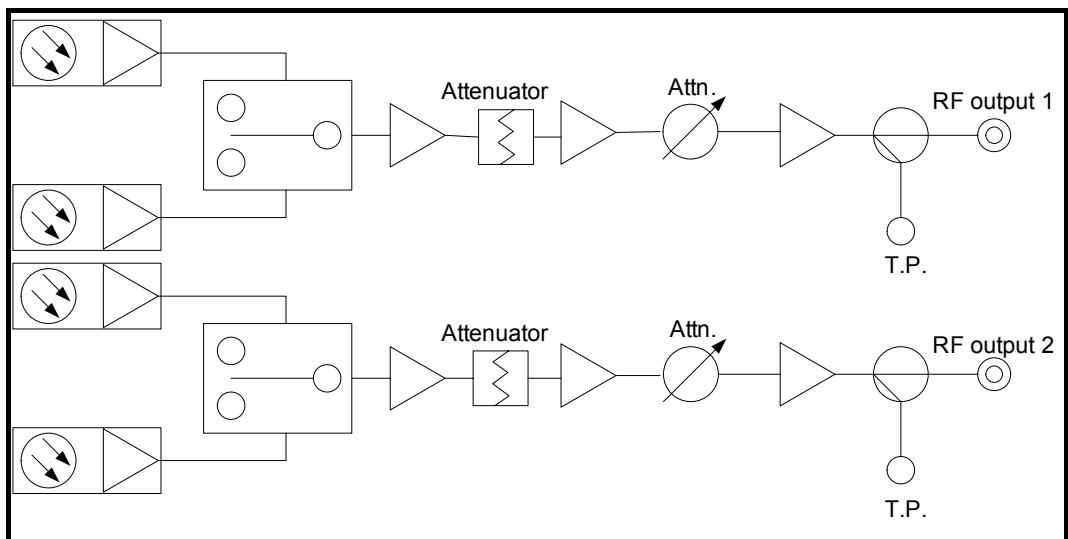
Item	Spec.
Model	PD-3RRX00003
S/N	XXXXXXXXXXXX
ATT Setting	0dB
Alarm	None/XXX



08. Drawing



09. Circuit Block



**10. Packing List**

Item	Name	QTY
1	PD-3RRX00003	1
2	Antistatic Bag	1
3	Test Report	1

11. Package Picture

Package Dimensions, mm.	L:504 x W:84 x H:184
Package Weight, kg	1.4

ORDERING INFORMATION**P/N : PD-3RRX00003****Note :**

Please contact with Sales Representative if you have any customized function or modification for this product.