

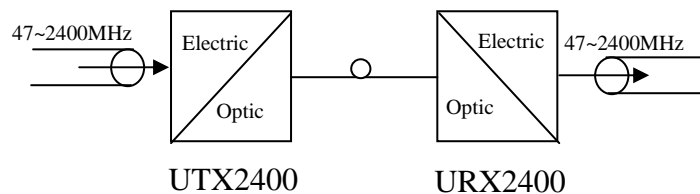
UMEC CATV and Satellite full band OPTICAL TRANSMITTER/RECEIVER



UTX2400



URX2400

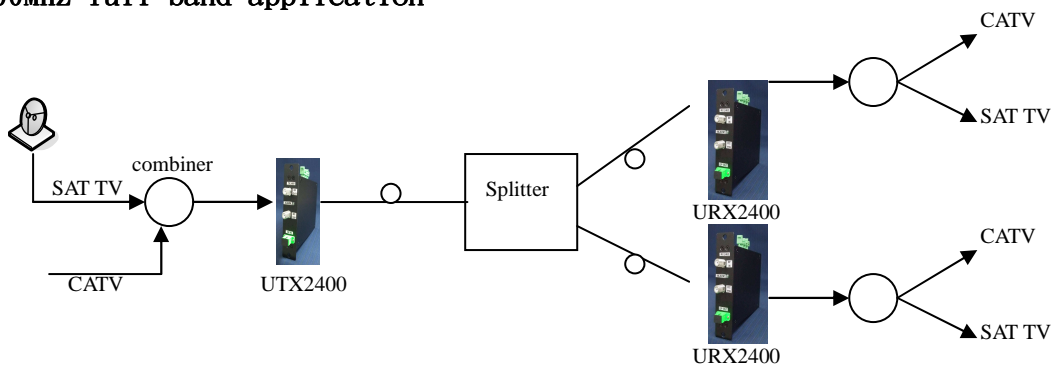


Summary:

The UMEC UTX2400/URX2400 optical transmitter/Receiver are the best of full-band solutions for both CATV and Satellite TV. The UMEC UTX2400/URX2400 transmitter/Receiver platform brings together Satellite TV and cable TV into a single unified device and Receiver at the customer premises allowing the end users with the ability to view the best TV/video programming.

Application:

1. CATV, SD/HD TV.
2. Hotel, Community.
3. 47~2400MHz full band application



Specifications:

A. Optical specifications

ITEM	UTX2400	URX2400
Wavelength	1290~1330nm	1300~1600nm
Transmission Type	AM-FDM	
Optical Connectors	SC / APC or SC/UPC can be customer made	
Optical output/input Power	3dBm	2dBm ~ -8dBm
Optical Return Loss	≥ 45dB	

B. RF Specifications

ITEM	UTX2400	URX2400
RF Connectors	F-type, Female	F-type, Female
RF Output Impedance	75Ω	75Ω
RF Bandwidth	47-2400MHz	47-2400MHz
RF Flatness(47-862MHz)	±2dB(4dB P-P)	±2dB(4dB P-P)
RF Flatness(950-2400MHz)	±3dB(6dB P-P)	±3dB(6dB P-P)
Link Flatness(whole bandwidth)	±4dB(8dB P-P)	±4dB(8dB P-P)
Return loss(47-862MHz)	-12dB	-10dB
Input Level(TV Band)	97±3 dBuV/ch	-
CNR ※1	Analog ≥ 46dB	
CSO ※1	Analog: ≤ -60dB	
CTB ※1	Analog: ≤ -60dB	
IMD2 ※2	>60dBc(TV)	
	>35dBc(SAT)	
IMD3 ※2	>60dBc(TV)	
	>35dBc(SAT)	
RF Output Level ※1	-	≥ 88±3dBuV

- ※ 1. Receiver Pin= -5dBm, OMI=3.7±0.3 % Analog 42ch testing, for analog 79ch will be degrade 1~2dB.
 ※ 2. TV band two tone testing level 102dBuV/ch, SAT band two tone testing level 92dBuV/ch.
 ※ 3. Test Configuration: RF Input ==> [TX] --> [Att] --> (2.5km_optics) --> [RX] ==> RF Output
 Note:

1. Testing room temperature : 25°C
2. CNR may degrade up to 0.5dB over full operating temperature range.
3. Distortion may degrade by up to 2dB over full operating temperature range.

C. General Specifications and LED Indicator

ITEM	UTX2400	URX2400
DC Input Power	15±0.6 V	
DC Output Power	15±0.6 V	
Current Consumption	<50mA	<230mA
DC Connectors	F-type Female(Front), EH2.5mm-3pin Socket to M.C.(Rear)	
Operating Temperature	0°C to +50°C	
Operating Humidity	20% to 90%	
Physical Dimensions	148.4 (L) x 129 (W) x 28.5 (H)mm	
PWR LED (Green)	Indicates the module is power on status.	
Alarm LED (Red)	<0dBm	-
Optical In LED (Green)	-	>-9.5dBm(±0.5dBm)