



BURST FIRED FLICKER INHIBITED 25A TEMPERATURE CONTROLLER

ZVT2-25-IF

X10542

INTRODUCTION

The ZVT-25 is a linear precision temperature controller. This stand-alone OEM unit, with 25A current capability, is ideal for high power, closed loop temperature control applications. Using variable on/off bursts of complete mains cycle energy, coincident with mains zero cross-over to avoid RFI problems.

The high current triac, fuse, terminals and all main parts are enclosed and it is mounted on an integral heatsink to ensure long life with reliable high ambient temperature operation. The controller is supplied with a control knob and ZVT scaled dial (0 to 40°C or 0 to +150°C). The temperature sensor is ordered separately and is not included with the unit.

APPLICATIONS

Suitable for temperature control of single - phase resistive heaters, ovens, dryers, hot plates and flexible heater mats.

FEATURES

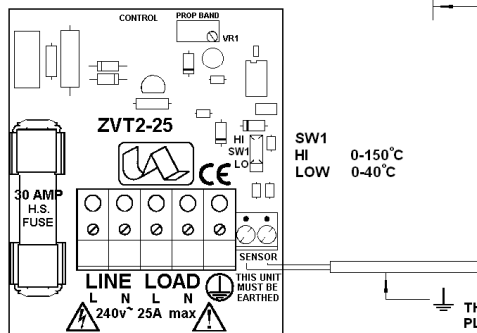
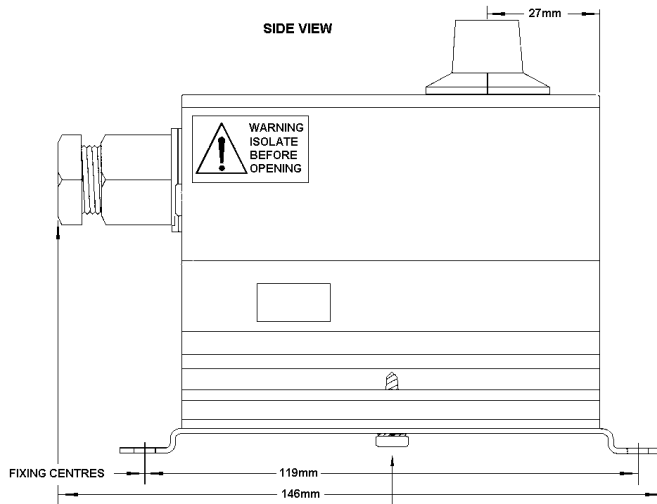
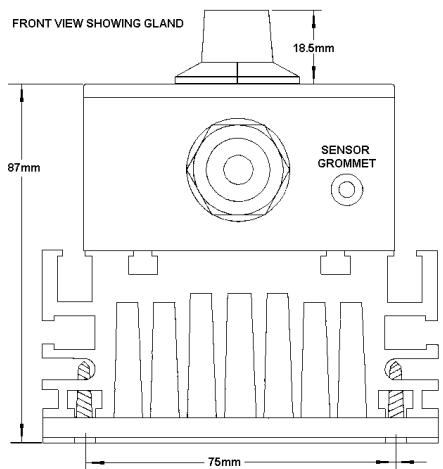
- Microprocessor based.
- Flicker inhibited.
- High speed fuses.
- Single entry cable gland.
- Two voltage and temperature ranges.
- Control knob and scaled dial supplied.

RoHS Compliant



INSTALLATION

Fixing/Mounting/Dimensions



(EARTH BONDING - DO NOT REMOVE)
THIS UNIT AND SENSOR MUST BE EARTHED

FOR MAXIMUM PERFORMANCE AND HEAT DISSIPATION
THE UNIT SHOULD BE MOUNTED VERTICALLY

WARNING
SWITCH OFF MAINS BEFORE COMMENCING ANY
SERVICING WORK

THE SENSOR LEADS ARE AT MAINS POTENTIAL
PLEASE ENSURE THE SENSOR CASE IS EARTHED TO ENSURE
SAFETY IS MAINTAINED UPON INSTALLATION AND USE.

SPECIFICATIONS

Triac limiting RMS on-state current.	26A
Peak single cycle surge current.	200A
Integral high speed (semiconductor) 30A ferrule fuse.	10mm Ø x 38mm long
Supply voltage for ZVT2.	230Vac +/- 10% @ 50/60Hz
Supply voltage for ZVT1.	110Vac +/- 10% @ 50/60Hz
Temperature control range.	0 to +40°C or 0 to +150°C
Calibration accuracy of full scale.	3%
Isolation voltage (typical)	2500V rms
Proportional band (internal screw adjust 'typical').	5-15%
Front panel Dial - Scale (54 x 46 mm linear & adhesive backed).	0 to +40°C or 0 to +150°C
Maximum c.s.a. cable entry.	4mm ²
Operation temperature range.	0 to +65°C
Storage temperature range.	0 to 65°C
Control stability (typical).	1%
Weight.	125g
Overall dimensions.	(see <i>Installation section</i>)

further dimensions

Shaft diameter	6.3mm (1/4 inch)
Shaft projection from bush	13.0mm
Bush length	7.0mm
Fixing hole diameter	10.0mm

FUSING

A semiconductor, fast acting type fuse, is supplied as standard for unit protection. On initial operation, some loads may need an increased Factor of Safety (F of S) for unit and/or device protection. For spares or replacements contact our sales desk

CE MARKING

This product family carries a "CE" marking. For information see recommendation section and contact our sales desk.

RECOMMENDATION

Other documents, which may be appropriate for your applications, are available on request.

CODE	IDENTITY	DESCRIPTION
X10229	RFI	Filter recommendation - addressing EMC Directive
X10213	ITA	Interaction, uses for phase angle and for burst fire control.
X10255	SRA	Safety requirements - addressing the Low Voltage Directive (LVD) including:- Thermal data/cooling; "Live" parts warning & Earth requirements; Fusing recommendations.
X10612	ZVT E-10K3A1	ZVT enclosed flicker inhibited NTC sensor Installation sheet
P01.1	COS	UAL Conditions of sale

NOTE: It is recommended that installation and maintenance of this equipment should be done with reference to the current edition of the I.E.T. (formally I.E.E.) regulations (BS7671) by suitably qualified/trained personnel. The regulations contain important requirements regarding installation and safety of electrical equipment. Specific installers should refer to local and national regulations.

ORDER CODE

ZVT (110V /230V)-25A-(Flicker Inhibited)- (Temperature range – 0-40°C or 0-150°C)

State part number: ZVT (1/2)-25-IF – Please select required voltage

Extras: ZVT-E-10K3A1 Enclosed sensor



UNITED AUTOMATION LIMITED

Southport Business Park
Wight Moss Way
Southport, PR8 4HQ
ENGLAND

Tel: 0044 (0) 1704 – 516500
Fax: 0044 (0) 1704 – 516501
enquiries@united-automation.com
www.united-automation.com

Page No. 2 of 2

Issue 4

Date 31/07/12

