



PULSED COIL ENERGISER

PCE

X10428

INTRODUCTION

This range of pulsed coil energisers will accept a wide range of supply voltages, with AC or DC inputs. They provide a high initial output voltage and an adjustable or pre-set DC holding voltage, which ensures that the coil is fully energised at switch on and operates at a lower temperature for the remaining on period

APPLICATIONS

Linear and rotary magnetic coils, magnetic doorlocks, solenoid valves and actuators.

RoHS Compliant
Directive
2002/95/EC

FEATURES

- Solid state reliability
- Epoxy encapsulated
- Simple wiring
- Rugged and compact
- Energy Saving
- Adjustable settings (DC models)
- or fixed settings (AC Model)



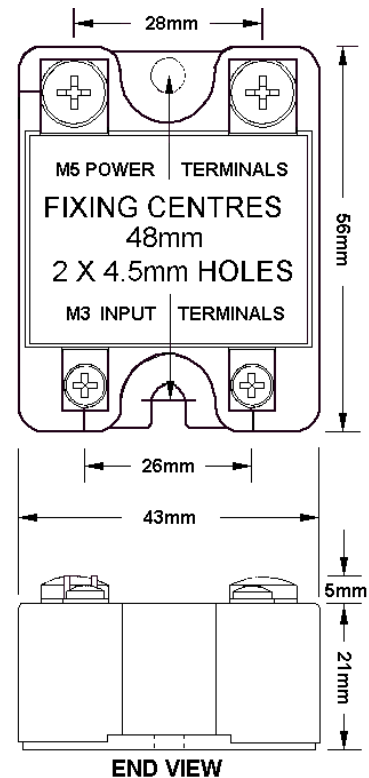
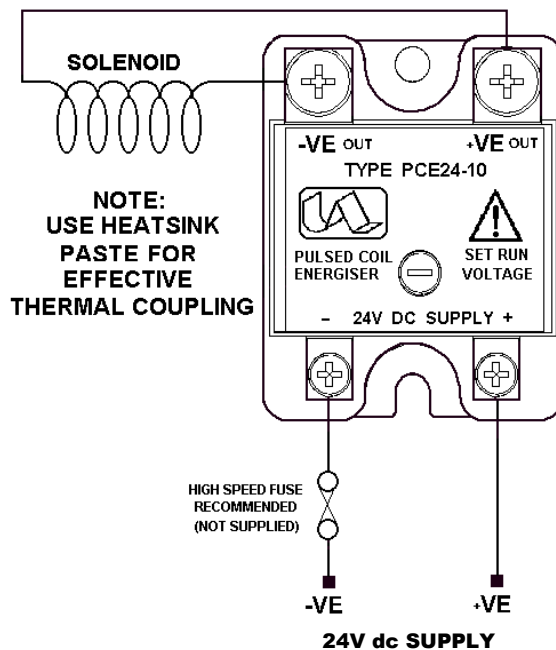
INSTALLATION

Connections and dimensions

WARNING

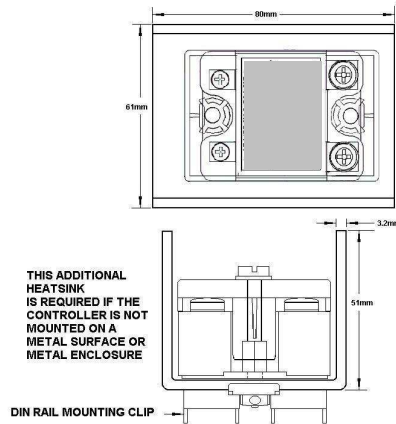
SWITCH OFF SUPPLY BEFORE COMMENCING ANY SERVICE WORK.

CONNECTIONS SHOWN FOR 24V dc SUPPLY



INSTALLATION

COOLING REQUIREMENT



SPECIFICATIONS

<u>Supply (ac OR dc)</u>	<u>DC output current (max.)</u>	<u>DC output voltage (max.)</u>	<u>Order Code</u>
12V dc only	20A	1 to 5V (adjustable)	PCE12V/20A-1-5
24V dc only	20A	6 to 15V (adjustable)	PCE24V/20A-6-15
110V dc only	10A	22 to 34V (adjustable)	PCE110V/10A-22-34
240V ac only	5A	97V (fixed)	PCE240V/5A-97

FUSING

It is recommended that semiconductor fast acting type fuses or circuit breakers (Semiconductor - MCB) be used for unit protection. On initial operation some loads may require an increased factor of safety (F of S), for unit and/or device protection. See SRA Data sheet for further information.

CE MARKING

This product family carries a "CE" marking. These pulse width controllers need a suitable remote filter. For more information see recommendation section and contact our sales desk. See Declaration of Conformity.

RECOMMENDATIONS

Other documents available on request, which may be appropriate for your application:-

CODE	IDENTITY	DESCRIPTION
X10229	RFI	Filter recommendations addressing EMC Directive.
X10213	ITA	Interaction: Uses for phase angle and for burst fire control.
X10255	SRA	Safety requirements addressing the Low Voltage Directive (LVD) include, Thermal data/cooling, "Live" parts warning, Earth requirements and fusing recommendations.
AP02/4	COS	UAL Conditions of sale.

NOTE: It is recommended that installation and maintenance of this equipment should be carried out by suitably qualified/trained personnel with reference to the current edition of the I.E.E. wiring regulations. The regulations contain important requirements regarding the safety of electrical equipment. For International Standards refer to I.E.C. Directive IEC 950.

ORDER CODE

(NOTE: Input voltage, Output voltage and Hold time will be required when ordering this unit)

State part number:

PCE- (see specifications – order code for options)

Optional extras include:

Heatsink paste; additional DIN rail mounting Heatsink assembly; HS fuses or MCBs; 'Finger proof' clear plastic covers; Filters.



UNITED AUTOMATION LIMITED

1 Southport Business Park
Kew
Southport, PR8 4HQ
ENGLAND

Page No. 2 of 2

Tel: 0044 (0) 1704 – 516500 Main
Tel: 0044 (0) 1704 – 516516 Sales
Fax: 0044 (0) 1704 – 516501
Enquiry@united-automation.com
www.united-automation.com
Issue 4 Date 4/02/08



015