



HALF WAVE CONTROLLER

UV15/D

X10338

INTRODUCTION

This single phase half wave controller with integral high current device, has been designed to operate on either 110V or 240Vac supplies. Its simple 2 wire connection plus Earth allows for easy installations. The output is set by use of a 25K potentiometer with a cermet mounted on the PCB for minimum settings where required.

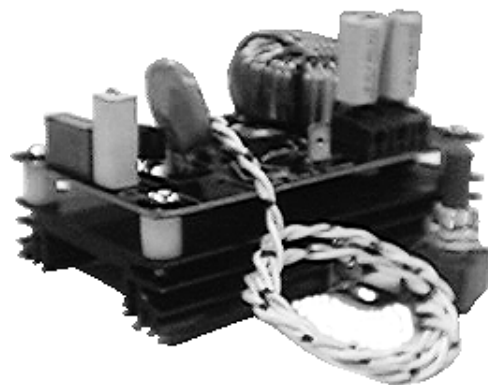
APPLICATIONS

Vibrator coils

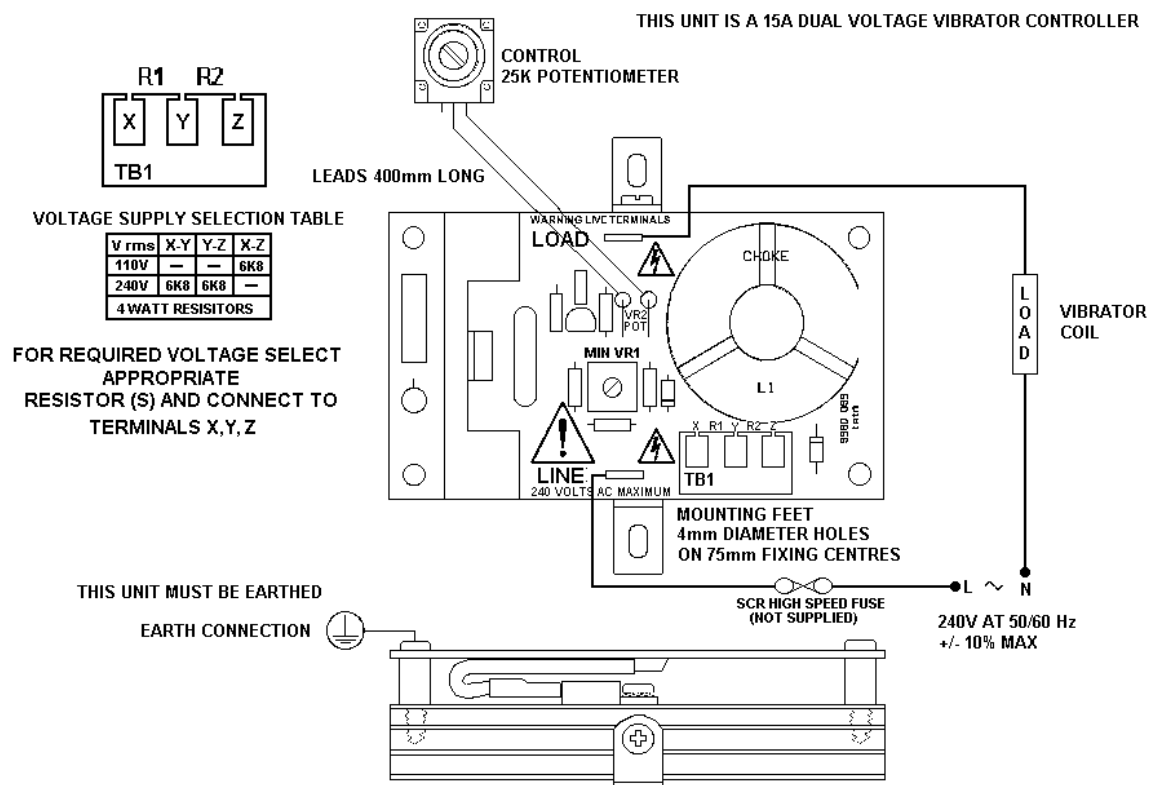
RoHS Compliant
Directive
2002/95/EC

FEATURES

- Solid state reliability.
- Dual voltage.
- Simple wiring.
- Adjustable minimum output
- Energy Saving



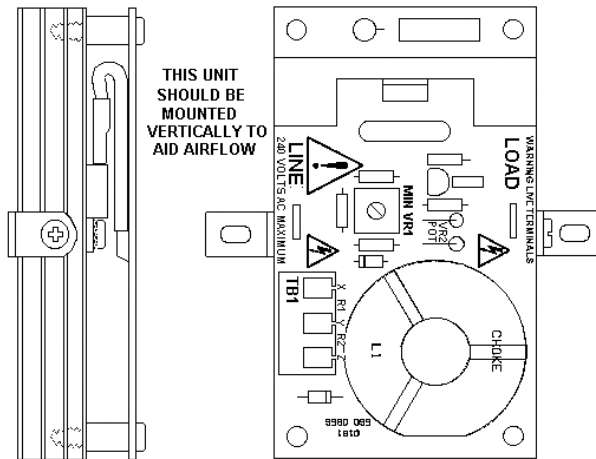
INSTALLATION



WARNING: ISOLATE FROM MAINS SUPPLY BEFORE COMMENCING ANY SERVICE WORK. (SEE SRA AND ITA DATA SHEETS)
NOTE: REMOTE POTENTIOMETER LEADS ARE AT HAZARDOUS LIVE POTENTIAL AND OTHER COMPONENTS

INSTALLATION

COOLING REQUIREMENT



SPECIFICATIONS

Supply	110 or 230Vac \pm 10% @ 50/60Hz
Unit RMS Current Rating	15A
Peak Single Cycle Surge Current	500A
Thyristor Limiting RMS Current	50A
I ² t for Fusing (10ms)	112A ² s
Maximum Peak Voltage	1000V
Minimum Operating Current	200mA
Storage Temperature Range	0-85°C
Operating Temperature	0-65°C

FUSING

It is recommended to use semiconductor (fast acting) type fuses or circuit breakers (Semiconductor - MCB) for unit protection. On initial 'switch on' some loads may need an increased factor of safety (F of S) for unit and/or device protection. (See SRA Datasheet for further information).

CE MARKING

This product family carries a "CE marking". This controller needs a suitable remote filter. For information see recommendation section and contact our sales desk. (See Declaration of Conformity).

RECOMMENDATIONS

Other documents available on request, which may be appropriate for your application:-

CODE	IDENTITY	DESCRIPTION
X10229	RFI	Filtering recommendations - addressing EMC Directive
X10213	ITA	Interaction, uses for phase angle and for burst fire control.
X10255	SRA	Safety requirements - addressing the Low Voltage Directive (LVD) including:- Thermal data/cooling ; "Live" parts warning & Earth requirements; Fusing recommendations.
AP02/4	COS	UAL Conditions of sale.

NOTE It is recommended that installation and maintenance of this equipment should be done with reference to the current edition of the I.E.E. wiring regulations (BS7671) by suitably qualified/trained personnel. The regulations contain important requirements regarding safety of electrical equipment (For International Standards refer to I.E.C. directive IEC 950).

ORDER CODE

State part number: UV15/D



UNITED AUTOMATION LIMITED

1Southport Business Park
Kew
Southport, PR8 4HQ
ENGLAND

Page No. 2 of 2

Tel: 0044 (0) 1704 – 516500 Main
Tel: 0044 (0) 1704 – 516516 Sales
Fax: 0044 (0) 1704 – 516501
Enquiry@united-automation.com

Issue 2

Date 05/12/01

