

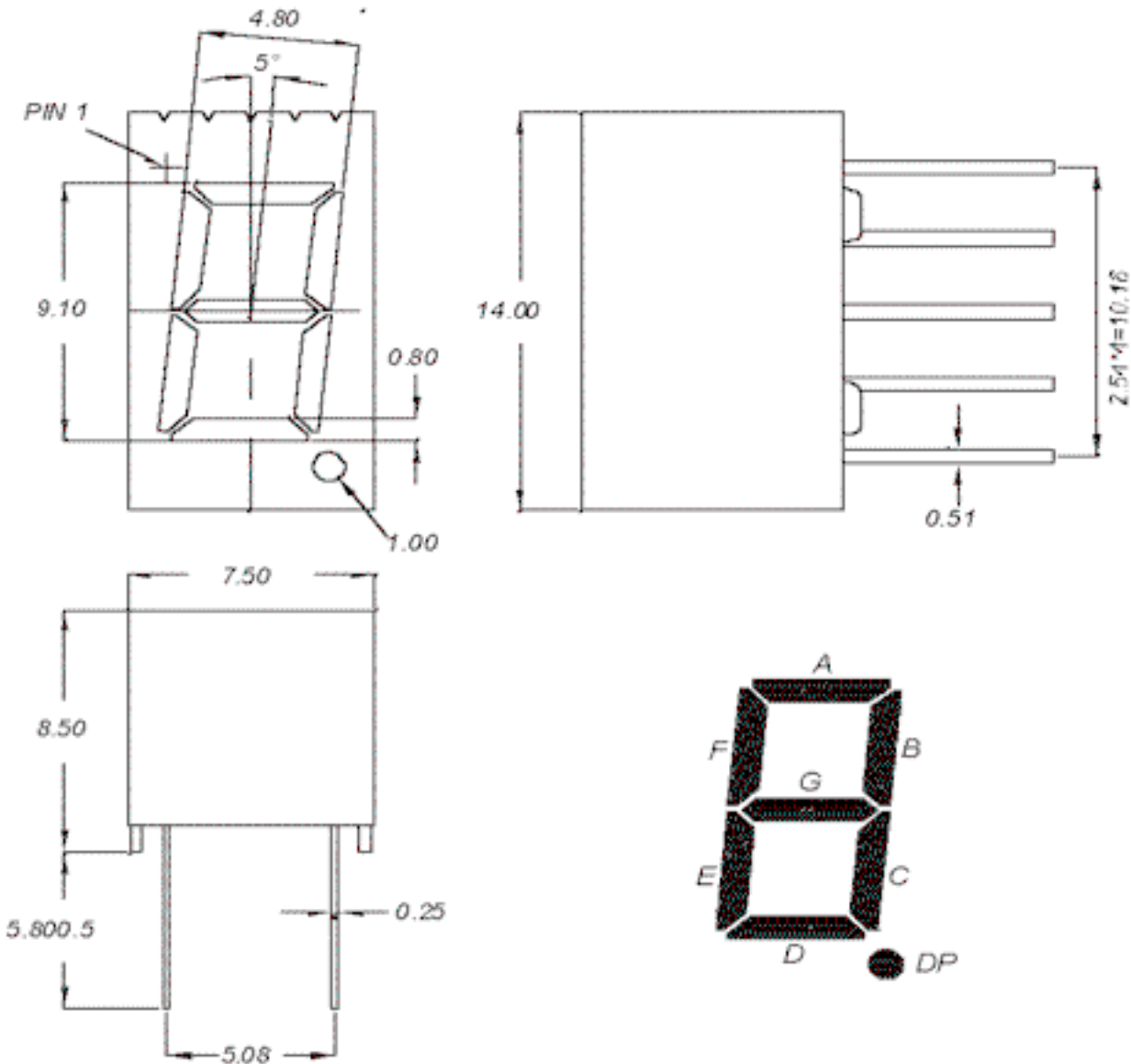
# LED DISPLAYS

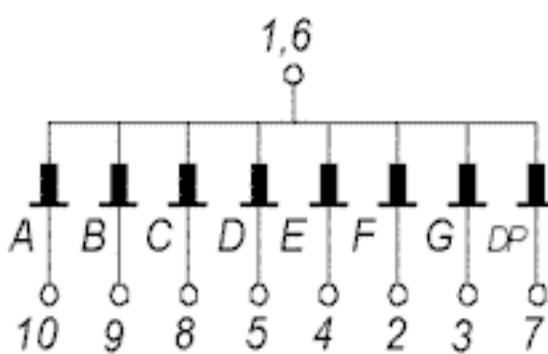
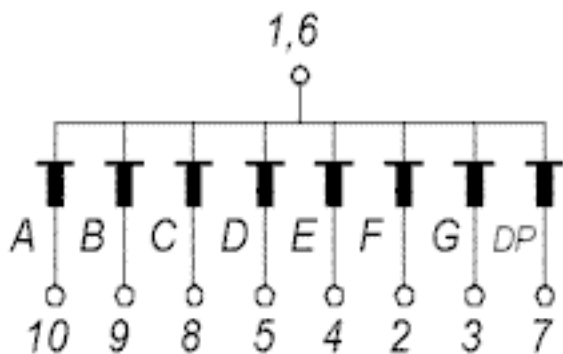
U.S.Electronics Inc.

Ph:(314)423 7550

CM1 - 036XX00

Fax:(314)423 0585





- 1 COMMON CATHODE
- 2 ANODE F
- 3 ANODE G
- 4 ANODE E
- 5 ANODE D
- 6 COMMON CATHODE
- 7 ANODE DP
- 8 ANODE C
- 9 ANODE B
- 10 ANODE A

- 1 COMMON ANODE
- 2 CATHODE F
- 3 CATHODE G
- 4 CATHODE E
- 5 CATHODE D
- 6 COMMON ANODE
- 7 CATHODE DP
- 8 CATHODE C
- 9 CATHODE B
- 10 CATHODE A

Part Numbers		Emitting Color	IF=20mA Min. ~ Typ.
Common Cathode	Common Anode		
CM1 - 0361200	CM1 - 0362200	Green	0.80 - 2.30
CM1 - 0361300	CM1 - 0362300	Orange	0.80 - 2.40
CM1 - 0361400	CM1 - 0362400	Gap-Red	0.32 - 0.75
CM1 - 0361500	CM1 - 0362500	Hi-Effi	0.80 - 2.40
CM1 - 0361600	CM1 - 0362600	Yellow	0.80 - 2.20
CM1 - 0361L00	CM1 - 0362L00	GaAlAs Red	2.40 - 6.00
CM1 - 0361G00	CM1 - 0362G00	SB/Green	1.80 - 4.60