

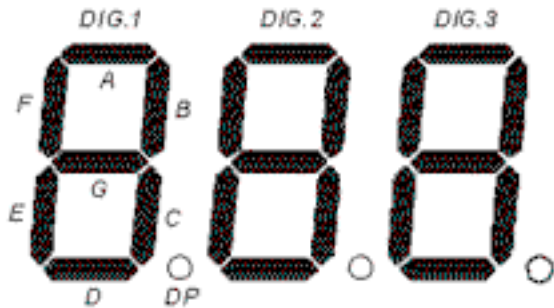
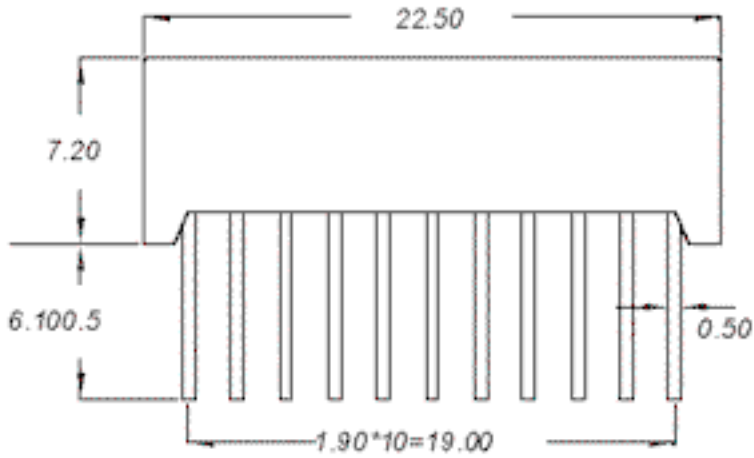
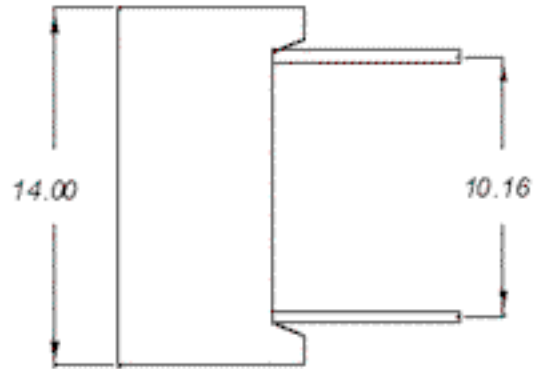
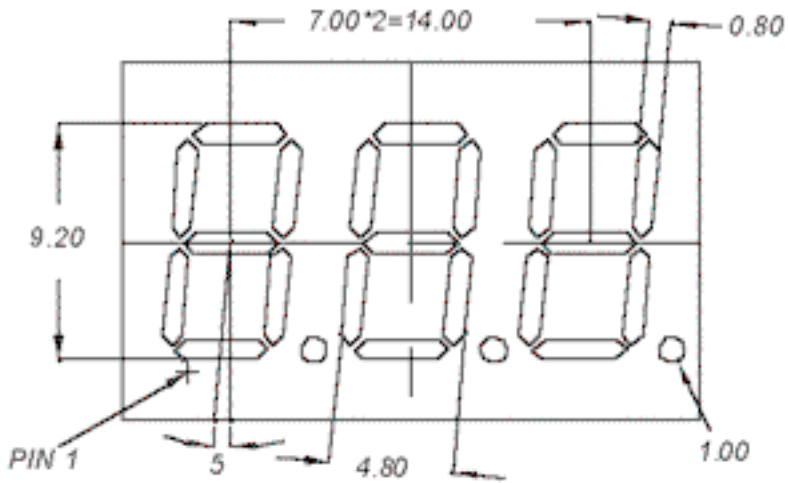
LED DISPLAYS

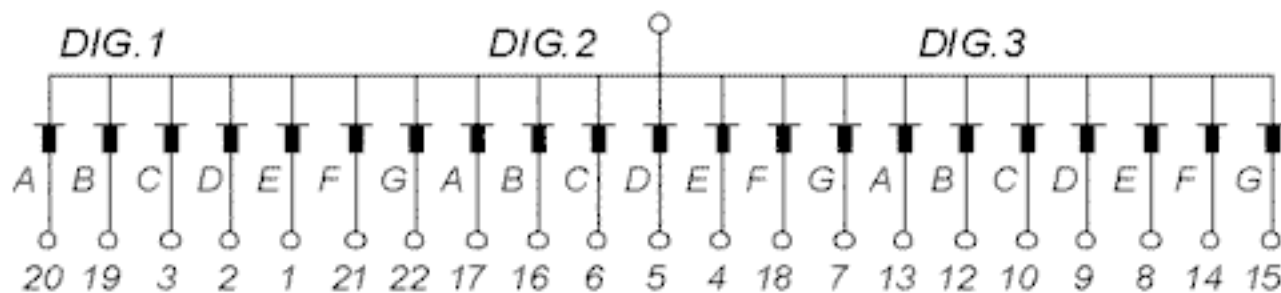
U.S.Electronics Inc.

Ph:(314)423 7550

CM3 - 036XX00

Fax:(314)423 0585





- | | |
|--------------------|-------------------|
| 1. DIG.1 ANODE E | 12. DIG.3 ANODE B |
| 2. DIG.1 ANODE D | 13. DIG.3 ANODE A |
| 3. DIG.1 ANODE C | 14. DIG.3 ANODE F |
| 4. DIG.2 ANODE E | 15. DIG.3 ANODE G |
| 5. DIG.2 ANODE D | 16. DIG.2 ANODE B |
| 6. DIG.2 ANODE C | 17. DIG.2 ANODE A |
| 7. DIG.2 ANODE G | 18. DIG.2 ANODE F |
| 8. DIG.3 ANODE E | 19. DIG.1 ANODE B |
| 9. DIG.3 ANODE D | 20. DIG.1 ANODE A |
| 10. DIG.3 ANODE C | 21. DIG.1 ANODE F |
| 11. COMMON CATHODE | 22. DIG.1 ANODE G |

Part Numbers		Emitting Color	IF=20mA Min. ~ Typ.
COMMON CATHODE	COMMON ANODE		
CM3 - 0361200	CM3 - 0362200	Green	0.80 - 2.30
CM3 - 0361300	CM3 - 0362300	Orange	0.80 - 2.40
CM3 - 0361400	CM3 - 0362400	Gap-Red	0.32 - 0.75
CM3 - 0361500	CM3 - 0362500	Hi-Effi	0.80 - 2.40
CM3 - 0361600	CM3 - 0362600	Yellow	0.80 - 2.20
CM3 - 0361L00	CM3 - 0362L00	GaAlAs Red	2.40 - 6.00
CM3 - 0361G00	CM3 - 0362G00	SB/Green	1.80 - 4.60