

QUARTZ CRYSTALS

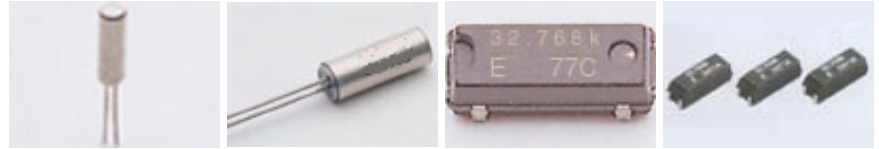
US ELECTRONICS INC.

PH:(314)423-7550

FAX:(314)423-0585

Watch Crystals

- Photolithography finished allows aniform stable performance
- Excellent shock resistance and environmental capability
- Low power consumption
- Suitable for time-keeping of clock and microcomputer



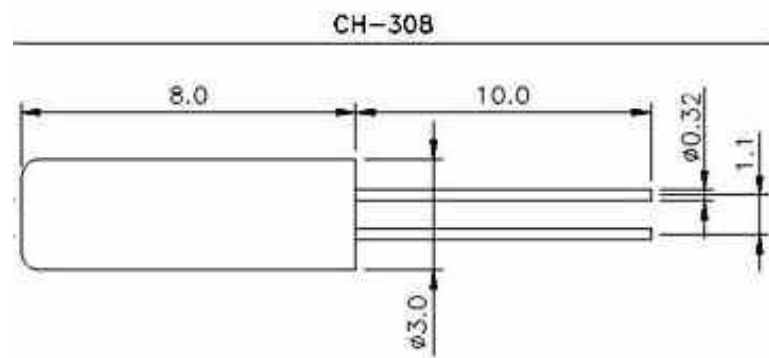
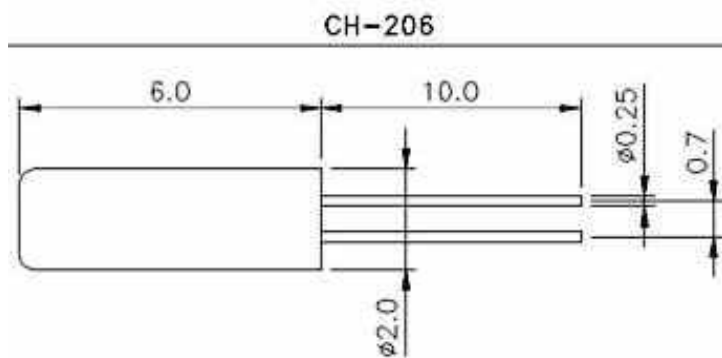
Standard Electrical Specifications

Nominal Frequency	32.768kHz
Operating Temperature Range	-10 to +60 °C
Storage Temperature Range	-20 to +70 °C
Frequency Tolerance (at 25 °C)	+/- 20 ppm
Peak Temperature (frequency)	25 ± 5 °C
Temperature Coefficient (frequency)	-0.04 ppm /°C ² Max
Load Capacitance (CL)	12.5pF
Drive Level	10 μW Max
Series Resistance	500 kOhms Max
Motional Capacitance	1.80 to 2.10pF
Shunt Capacitance (Co)	0.80 to 0.90pF
Insulation Resistance	500 MOhms Min
Aging (at 25 °C)	±3.0ppm / year Max

Standard 32.768KHz Crystal Part Numbers

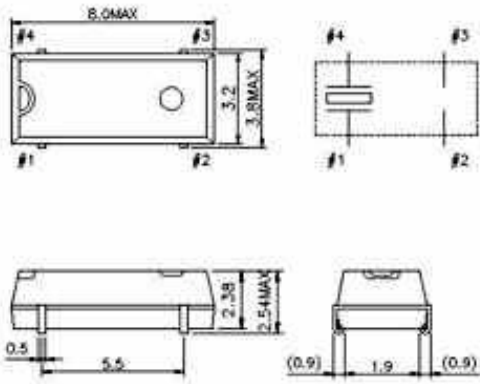
Part #	Dimensions	Package Style	Packaging
TF26-327	2.0D x 6.0	CH-206	Bulk
TF38-327	3.0D x 8.0	CH-308	Bulk
TF306-327TR	8.0 x 3.2 x 2.5	CS-306	Tape & Reel
TF406-327TR	9.6 x 4.06 x 3.6	CS-406	Tape & Reel

MECHANICAL DIMENSIONS:



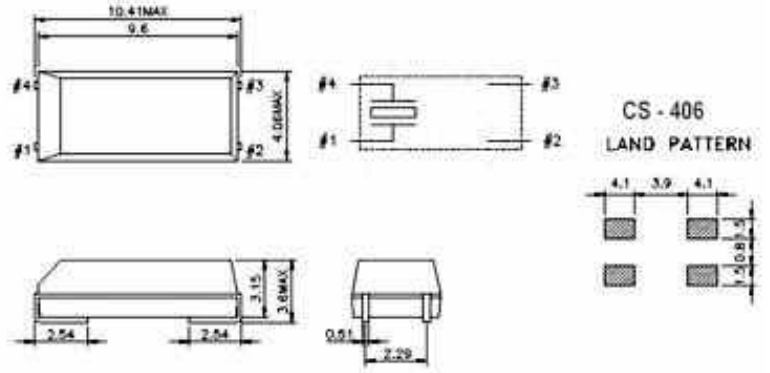
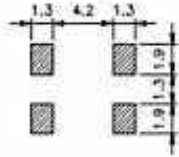
CS-306

CS-406

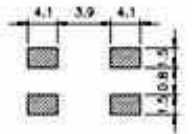


LAND PATTERN

CS-306



CS-406
LAND PATTERN



QUARTZ CRYSTALS

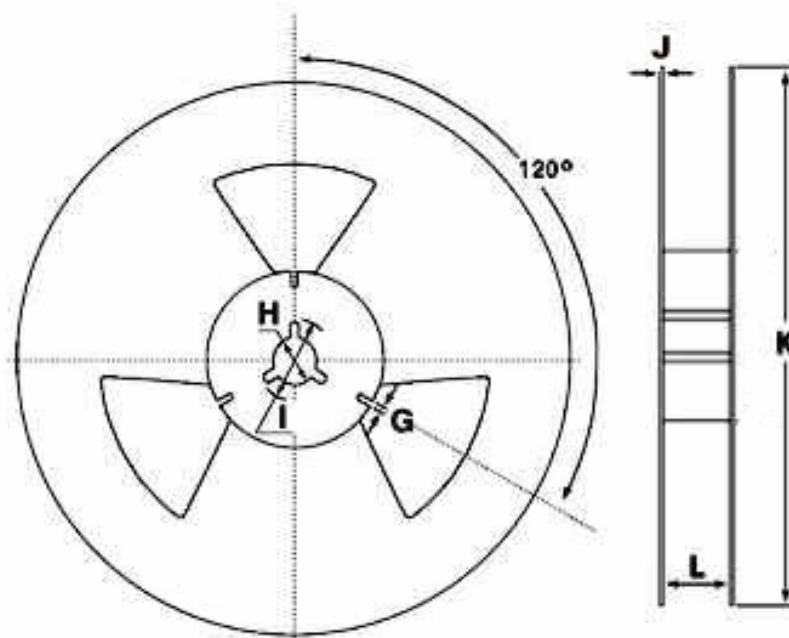
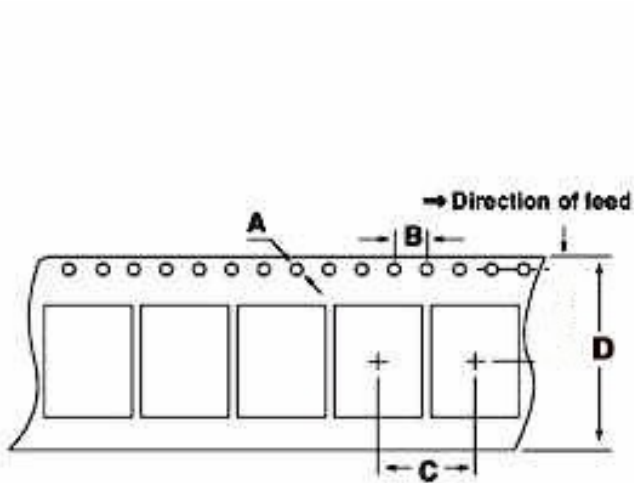
US ELECTRONICS INC.

PH:(314)423-7550

FAX:(314)423-0585

WATCH CRYSTALS

TAPE AND REEL SPECIFICATIONS:



TAPE SPECIFICATIONS:(millimeters)

MODEL	A	B	C	D
TF306-327TR	1.5	4.0	8.0	24.0
TF406-327TR	1.5	4.0	8.0	24.0

REEL SPECIFICATIONS:(millimeters)

MODEL	G	H	I	J	K	L
TF306-327TR	2.0	13.0	23.0	2.0	330 or 178	25.5
TF406-327TR	2.0	13.0	23.0	2.0	330or 178	25.5