

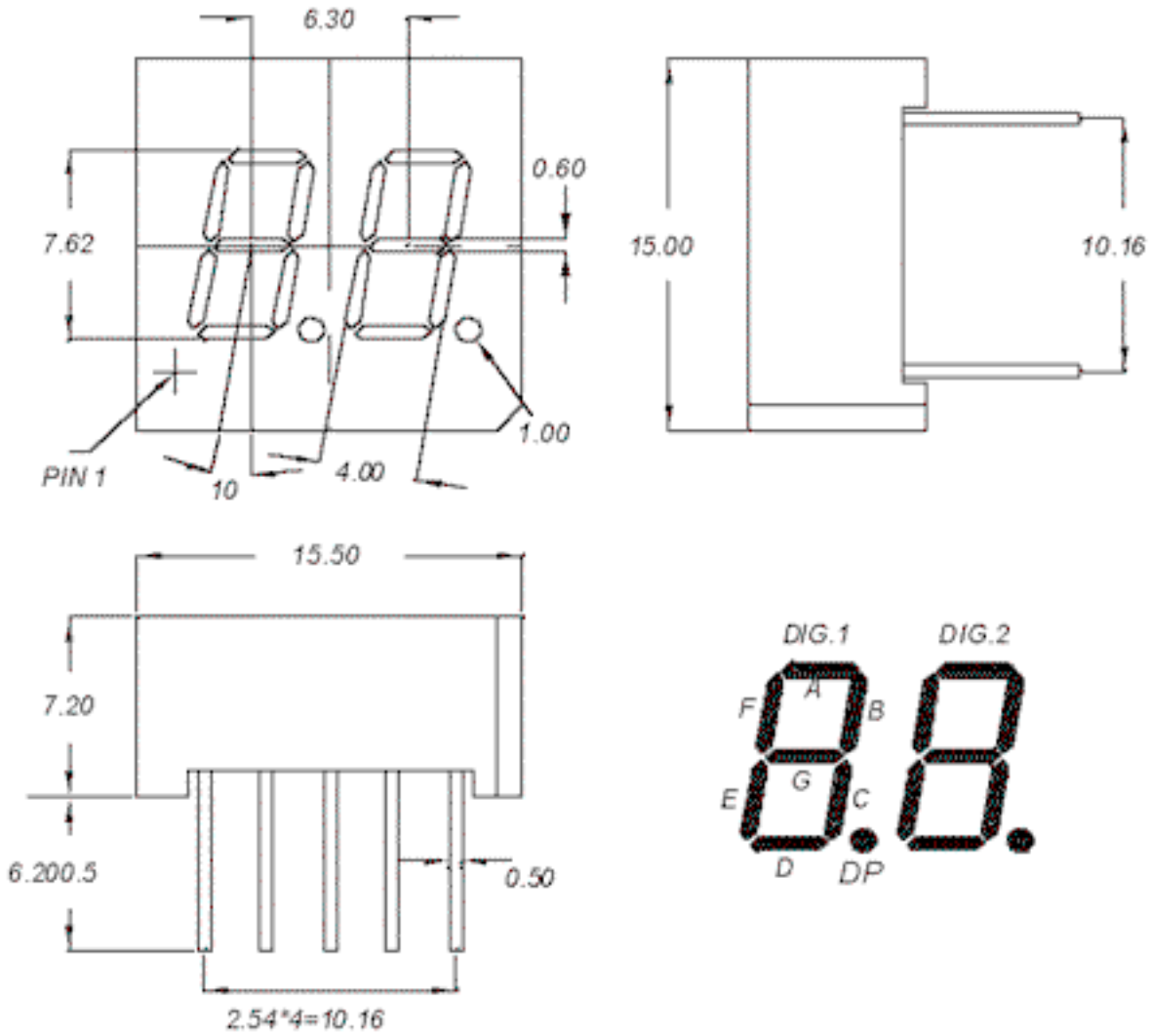
# LED DISPLAYS

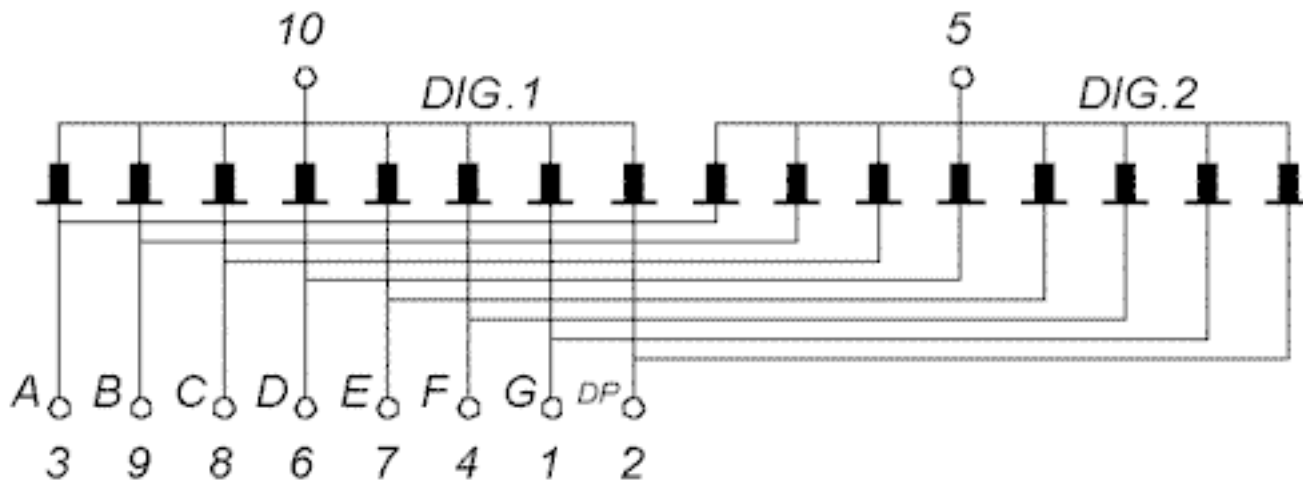
U.S.Electronics Inc.

Ph:(314)423 7550

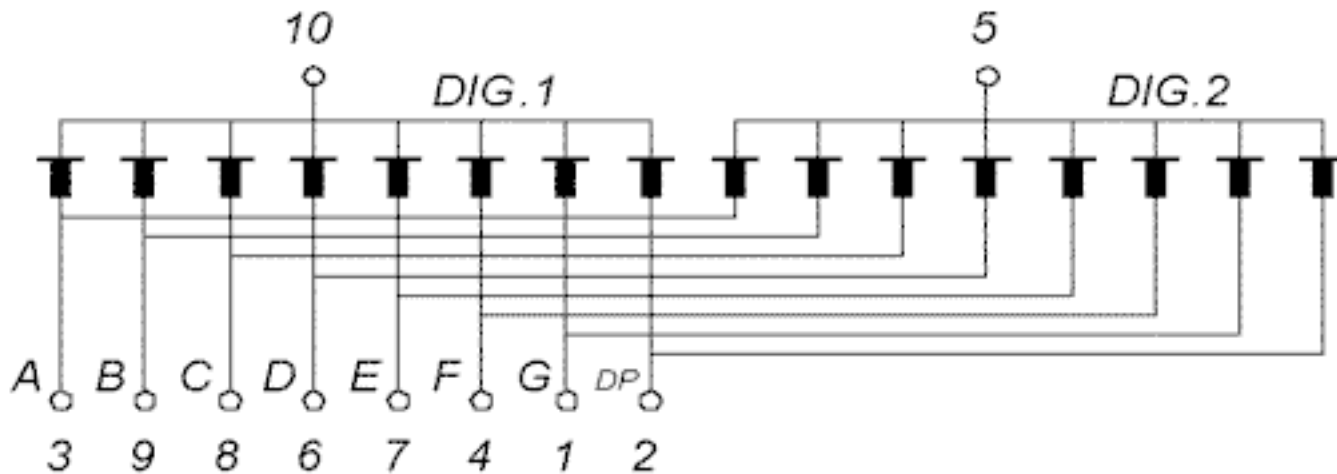
CM2 - 030XX00

Fax:(314)423 0585





- 1 CATHODE G
- 2 CATHODE DP
- 3 CATHODE A
- 4 CATHODE F
- 5 COMMON ANODE D2
- 6 CATHODE D
- 7 CATHODE E
- 8 CATHODE C
- 9 CATHODE B
- 10 COMMON ANODE D1



- 1 ANODE G
- 2 ANODE DP
- 3 ANODE A
- 4 ANODE F
- 5 COMMON CATHODE D2
- 6 ANODE D
- 7 ANODE E
- 8 ANODE C
- 9 ANODE B
- 10 COMMON CATHODE D1

Part Numbers		Emitting Color	IF=20mA Min. ~ Typ.
COMMON CATHODE	COMMON ANODE		
CM2 - 0305200	CM2 - 0306200	Green	0.54 - 1.60
CM2 - 0305300	CM2 - 0306300	Orange	0.54 - 1.60
CM2 - 0305400	CM2 - 0306400	Gap-Red	0.21 - 0.65
CM2 - 0305500	CM2 - 0306500	Hi-Effi	0.54 - 1.60
CM2 - 0305600	CM2 - 0306600	Yellow	0.54 - 1.60
CM2 - 0305L00	CM2 - 0306L00	GaAlAs Red	1.60 - 4.00
CM2 - 0305G00	CM2 - 0306G00	SB/Green	1.00 - 3.20