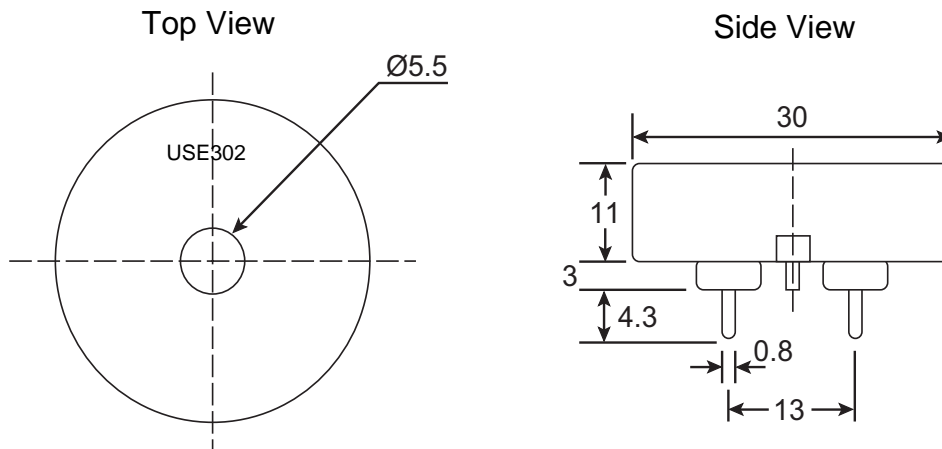


USE302

External Drive Piezo Transducer

Loud SPL at 2.2 and 2.5 KHz

DIMENSIONS



ELECTRICAL SPECIFICATIONS

MODEL No.	USE302
Sound Pressure Level (at 10cm and 2200 & 2500 Hz)	90dBA min. @ 3.0V rms sine wave 102dBA min. @ 12.0V rms sine wave
Capacitance	35000 pF +/- 30% at 1.0KHz
Max.Input Voltage	30V p-p
Operating Temperature	-20 ~ +70 C
Housing Material	ABS
Weight	6 grams