

Radial Type Thermistor Series (Double Coating Layer's Radial Thermistor)

Radial Type Thermistor Series Pd HF RoHS

RA/RB/RC/RD type

RAC/RBC/RCC/RDC type

Head : Double Coating Layer
Wire : Soft Insulation Coating

World Charming Product

1 Radial Type Thermistor Series?

- There are three types of radial thermistors in Joinset products line.
 - Normal type, its head part is coated with the hard epoxy. Products line is RA/RA/TC/RD normal type.
 - Special type, its head part is coated with a special coating material in advance before the hard epoxy is applied. Products line is RA/RA/TC/RD special type.
 - Insulation type has double coating layer. Head part is coated with the hard epoxy and second coating layer covers head and leads as well. We call it LeadCoTh and its products line is RAC/RAB/RCC/RCD.
- Technical Background
 1. Thanks to two coating layer, it can protect chip from physical shock, moisture, and water (Patented).
 2. Thanks to coating on lead, it performs insulation property and can prevent moisture which could be flow in through lead wire. If it is applied for protect tube sensor, it shows a good insulation and good withstand voltage properties.
 3. Reel packing is available as well.

2 Structure and Property of Radial Type Thermistor

Subject	Radial Series (Normal and High Reliable Products)				LeadCoTh Series (Standard and High Reliable Products)				
	RA type	RB type	RC type	RD type	RAC type	RBC type	RCC type	RDC type	
Structure (St.) and Property (Pr.)									
St.	① Wire	Φ0.45mm		Φ0.35mm	Φ0.45mm		Φ0.35mm		
	② Chip	Chip (Thermistor)							
	③ 1 st Coating (Head)	Hard Epoxy (1 st . Chip protection coating)							
	④ 2 nd Coating (Head + Wire)	Does not apply			Flexible Epoxy (2 nd . Protection coating)				
Pr.	Operating Temp.	-40°C ~ 125°C							
	2 nd Coating Withstand Voltage	Does not apply			DC250V / 1sec				
	2 nd Coating Insulation Resistance	Does not apply			Min.100MΩ				
	Hardness at Head	Shore A90							
	Wire Bending Strength	After soldering, bend wire by 90 degree. No cutting at 5 times.							

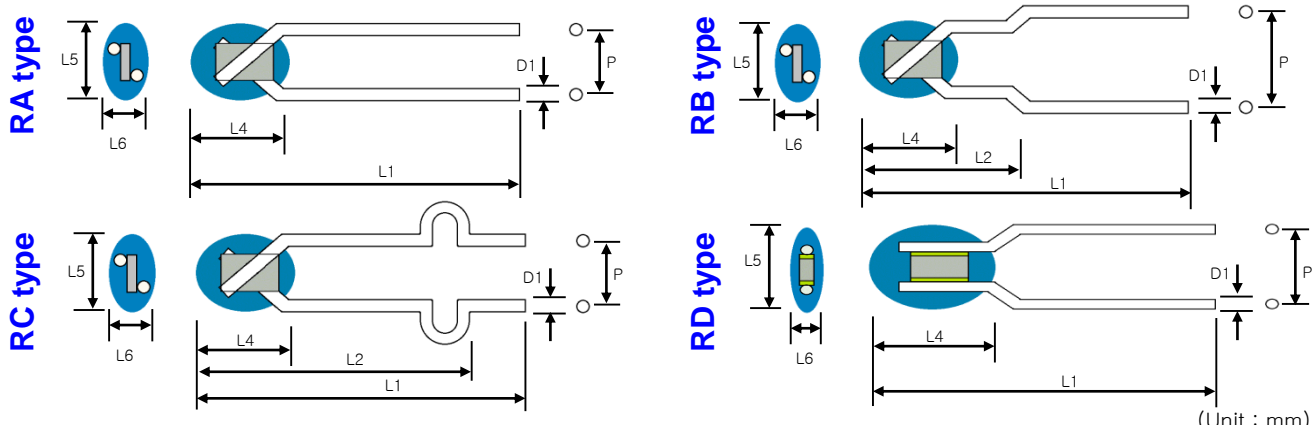
3 How to order

Part No. : R* * 103 F 3435 F ** 12
 ① ② ③ ④ ⑤ ⑥ ⑦ ⑧

①	R*	Product Series. (RA, RB, RC, RD etc)	⑤	3435	B(25/85) Value ; 3435 : 3435K
②	*	Insulation type (C:Second protective coating, F:Film, T:Tube)	⑥	F	B Value tolerance ; F : 1%
③	103	103=10×10 ³ (Ω)@25°C	⑦	**	Customer code; ** (01,02,03,...)
④	F	Resistance tolerance ; F : 1%	⑧	12	Coating length ; 12 mm (For LeadCoTh)

4 Shape & Dimension

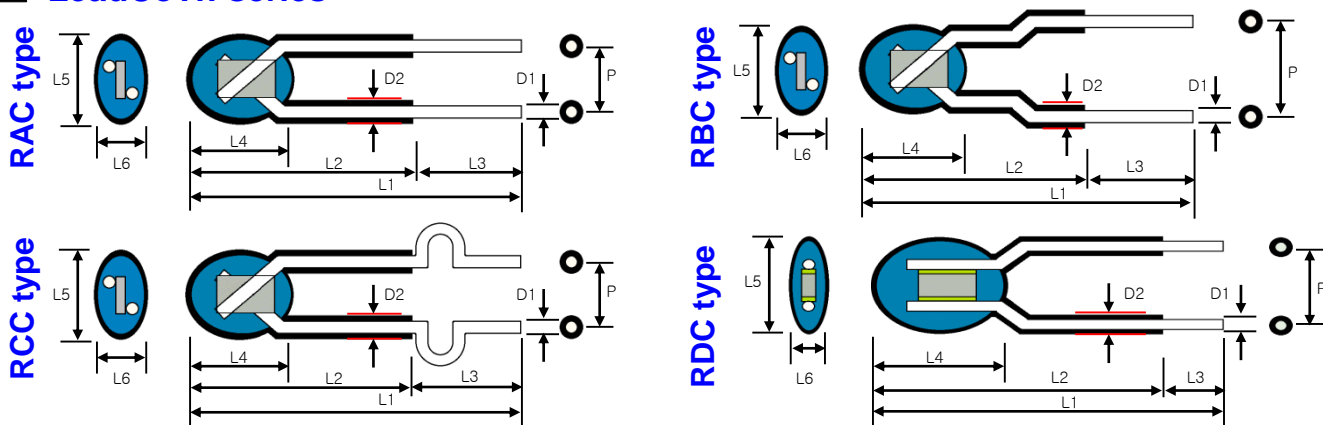
Radial series



(Unit : mm)

Type	L1	L2	L4	L5	L6	P	D1	Remark
RA	-	-	Typ. 4.0	Max. 4.0	Max. 3.0	Typ. 2.0	φ0.45	
RB	-	Typ. 6.5	Typ. 4.0	Max. 4.0	Max. 3.0	Typ. 2.5	φ0.45	
RC	-	Min. 5.5	Typ. 4.0	Max. 4.0	Max. 3.0	Typ. 2.0	φ0.45	
RD	-	-	Typ. 4.5	Max. 2.5	Max. 1.8	Typ. 1.8	φ0.35	

LeadCoTh series



(Unit : mm)

Type	L1	L2	L3	L4	L5	L6	P	D1	D2
RAC	-	-	Typ. 2.0	Typ. 4.0	Max. 4.0	Max. 3.0	Typ. 2.0	φ0.45	Typ. φ0.55
RBC	-	-	Typ. 2.0	Typ. 4.0	Max. 4.0	Max. 3.0	Typ. 2.5	φ0.45	Typ. φ0.55
RCC	-	-	Typ. 2.0	Typ. 4.0	Max. 4.0	Max. 3.0	Typ. 2.0	φ0.45	Typ. φ0.55
RDC	-	-	Typ. 2.0	Typ. 4.5	Max. 2.5	Max. 1.8	Typ. 1.8	φ0.35	Typ. φ0.45