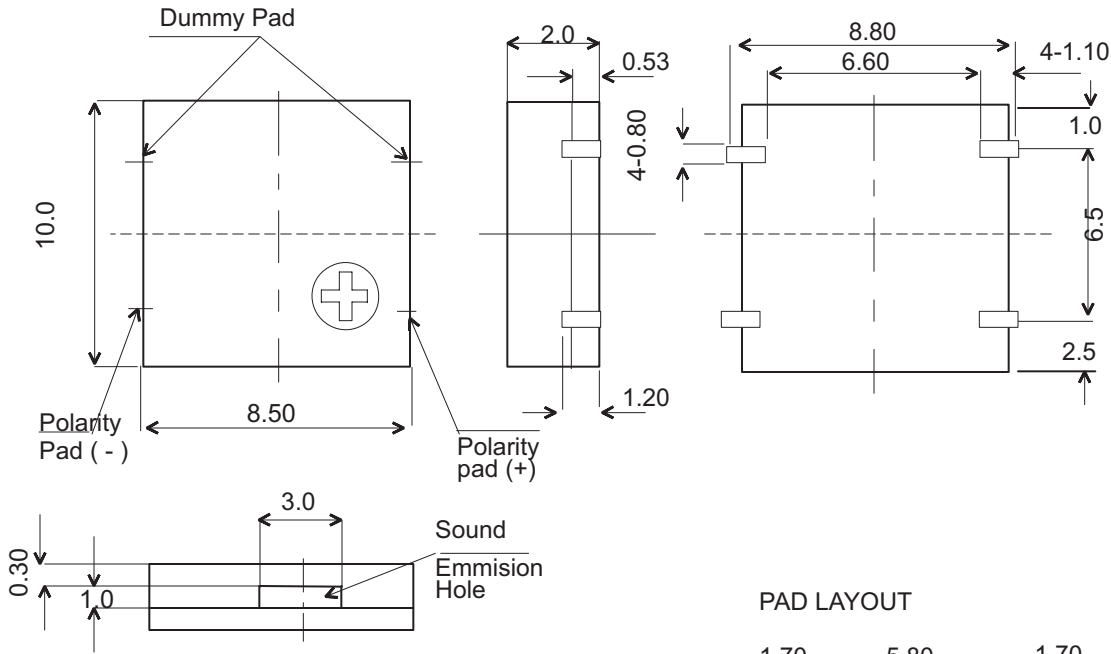


U.S.Electronics Inc.

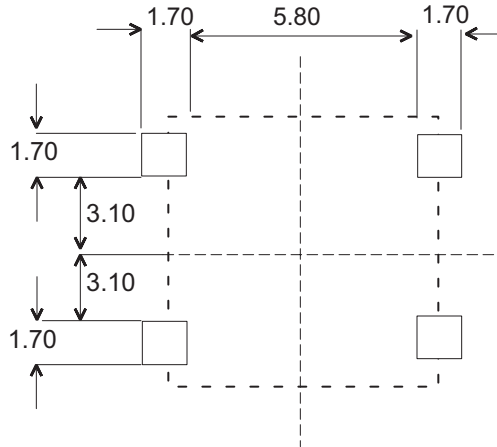
USEDST-16C3S-A

Magnetic Transducer

DIMENSIONS



PAD LAYOUT



ELECTRICAL SPECIFICATIONS

Model No.	USEDST-16C3S-A
Rated Voltage (VDC)	3.6
Operating Voltage (VDC)	2.8 to 4.3
*Rated Current (mA)	Typ.85 Max. 120
Coil Resistance (ohms)	16 +/- 2
*Sound Output(dB)	Min.90.0 at10.0cm
*Resonant Frequency (Hz)	2670
Operating Temp. (C)	- 4 0 t o + 8 5

*value applying at rated voltage