

LTP Series of Ceramic Filter For AM

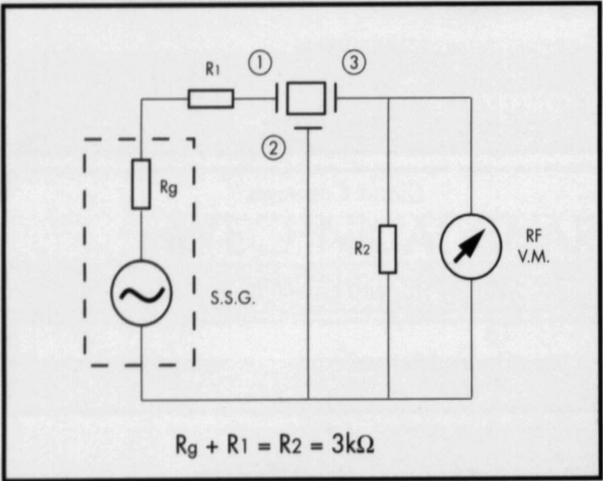
450-470kHz

● TECHNICAL CHARACTERISTICS

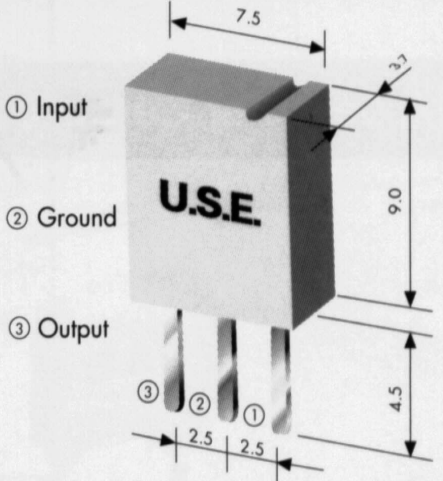
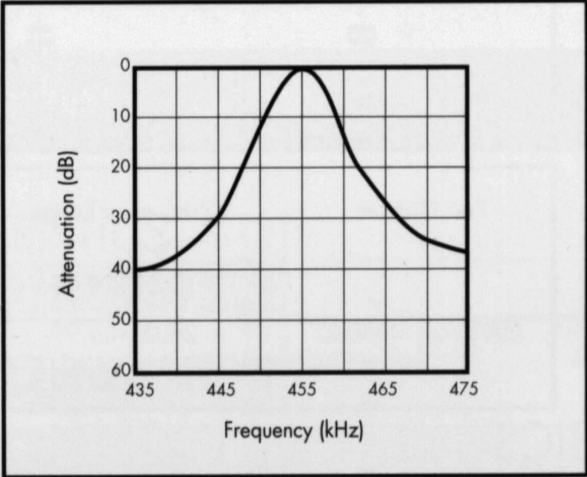
Part Number	3dB Band Width (kHz)	Selectivity		Insertion Loss (dB)	Composition
		-9kHz(dB) off	+9kHz(dB) off		
LTP455A	10±3	≥5	≥3	≤5	One Element
LTP455B	10±3	≥5	≥3	≤5	One Element with IFT

- ▲ Center frequency (fo) is available in a range of 450-470kHz
- ▲ The nominal frequency tolerance is ±2kHz

● TEST CIRCUIT



● CHARACTERISTICS



Recommended IFT (7 mm Square)

Item	Type LTP455B		
Winding Specification	① ~ ②	② ~ ③	④ ~ ⑥
From Bottom	70T	115T	7T
Unloaded Qu	105		
Tuning Capacity	180PF		