

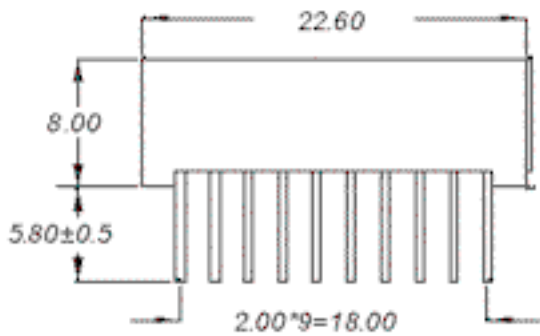
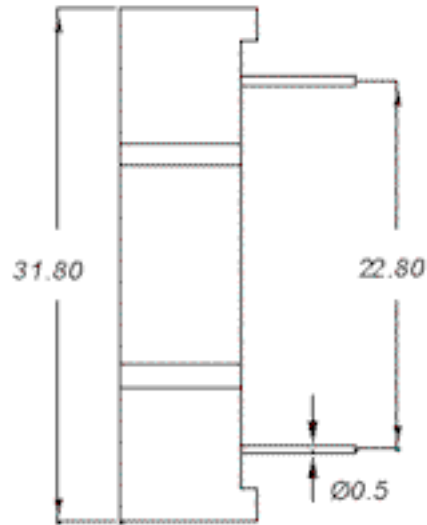
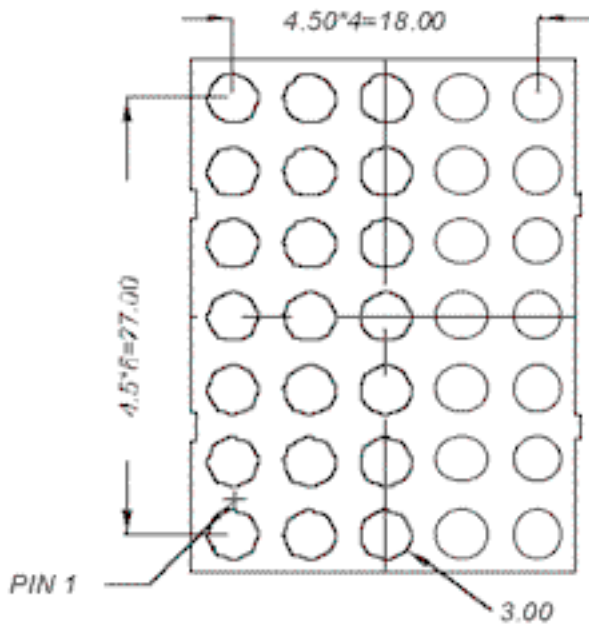
LED DISPLAYS

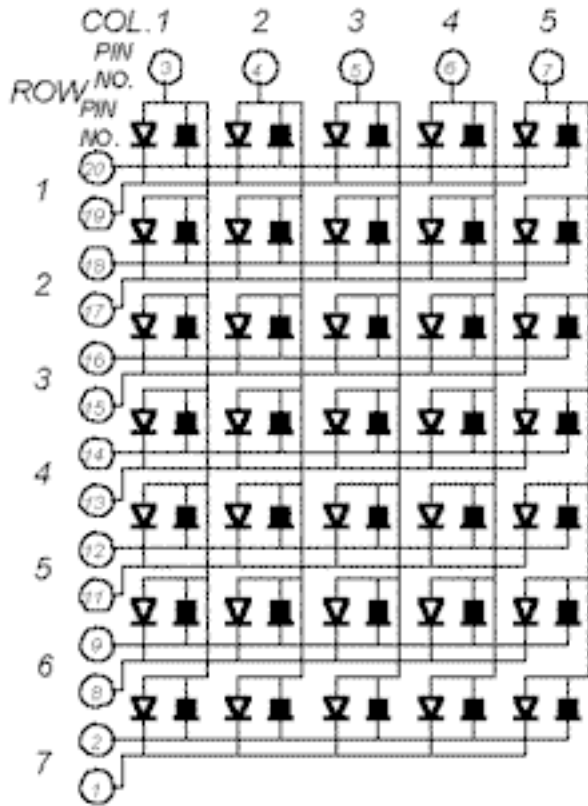
U.S.Electronics Inc.

Ph:(314)423 7550


CMD - 357XX00

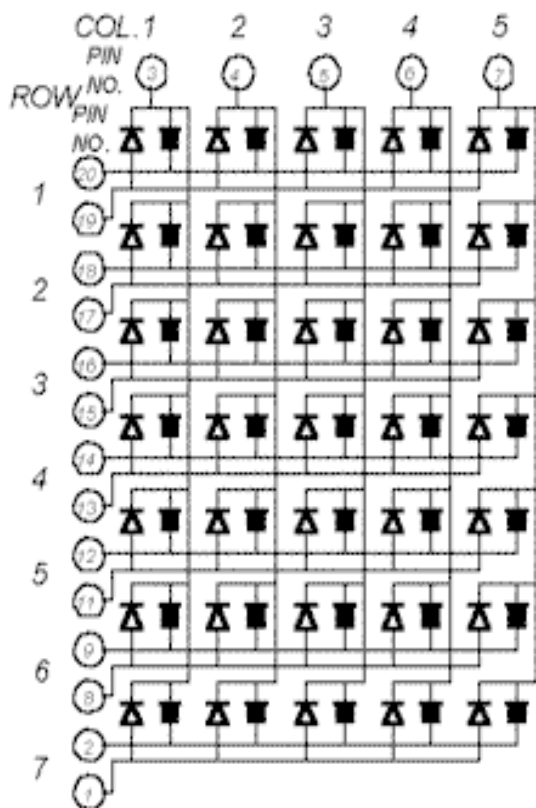
Fax:(314)423 0585






1. CATHODE ROW 7G
2. CATHODE ROW 7
3. ANODE COLUMN 1
4. ANODE COLUMN 2
5. ANODE COLUMN 3
6. ANODE COLUMN 4
7. ANODE COLUMN 5
8. CATHODE ROW 6G
9. CATHODE ROW 6
10. NO CONNECT
11. CATHODE ROW 5G
12. CATHODE ROW 5
13. CATHODE ROW 4G
14. CATHODE ROW 4
15. CATHODE ROW 3G
16. CATHODE ROW 3
17. CATHODE ROW 2G
18. CATHODE ROW 2
19. CATHODE ROW 1G
20. CATHODE ROW 1

-  GREEN
-  ORANGE
- 10 NO CONNECT



1. ANODE ROW 7G
2. ANODE ROW 7
3. CATHODE COLUMN 1
4. CATHODE COLUMN 2
5. CATHODE COLUMN 3
6. CATHODE COLUMN 4
7. CATHODE COLUMN 5
8. ANODE ROW 6G
9. ANODE ROW 6
10. NO CONNECT
11. ANODE ROW 5G
12. ANODE ROW 5
13. ANODE ROW 4G
14. ANODE ROW 4
15. ANODE ROW 3G
16. ANODE ROW 3
17. ANODE ROW 2G
18. ANODE ROW 2
19. ANODE ROW 1G
20. ANODE ROW 1

 GREEN
 ORANGE
 10 NO CONNECT

Part Numbers		Emitting Color	IF=20mA Min. ~ Typ.
COMMON CATHODE	COMMON ANODE		
CMD - 3571320	CMD - 3572320	Orange	1.78 - 4.00
		Green	1.78 - 4.00
CMD - 3571L20	CMD - 3572L20	GaAlAs Red	8.00 - 12.0
		Green	1.78 - 4.00
CMD - 3571LG0	CMD - 3572G0	GaAlAs Red	8.00 - 12.0
		SB/Green	3.20 - 8.00