

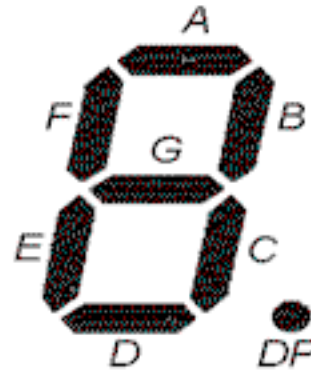
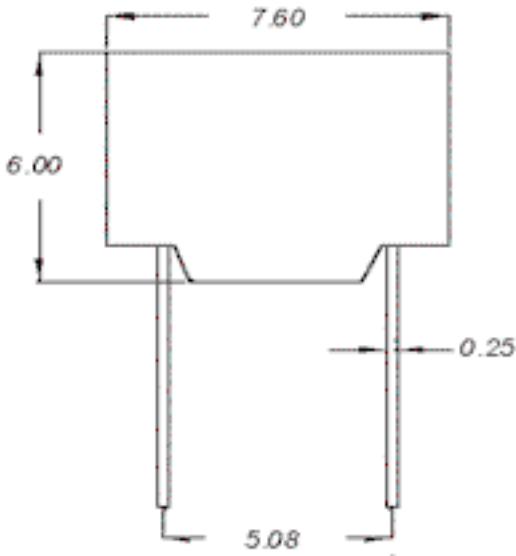
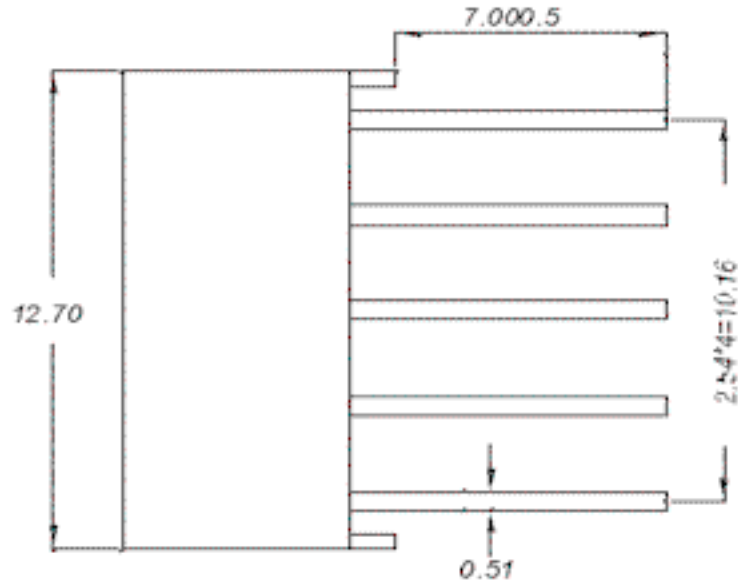
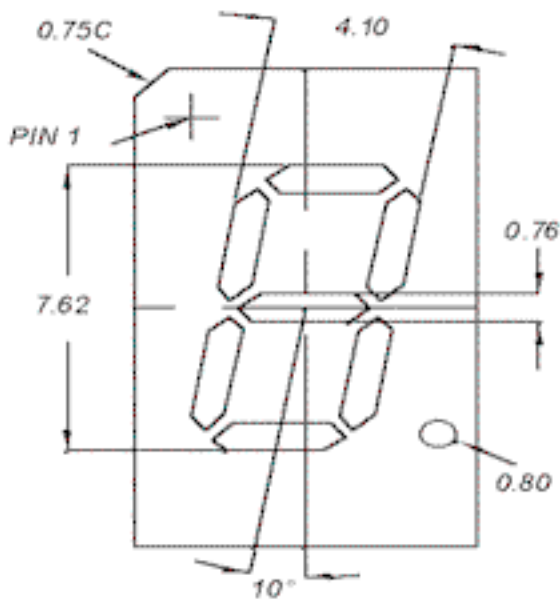
# LED DISPLAYS

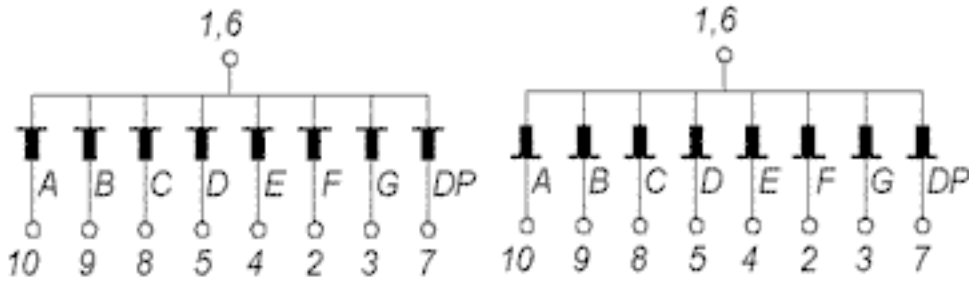
U.S.Electronics Inc.

Ph:(314)423 7550

CM1 - 031XX00

Fax:(314)423 0585





1 COMMON CATHODE  
 2 ANODE F  
 3 ANODE G  
 4 ANODE E  
 5 ANODE D  
 6 COMMON CATHODE  
 7 ANODE DP  
 8 ANODE C  
 9 ANODE B  
 10 ANODE A

1 COMMON ANODE  
 2 CATHODE F  
 3 CATHODE G  
 4 CATHODE E  
 5 CATHODE D  
 6 COMMON ANODE  
 7 CATHODE DP  
 8 CATHODE C  
 9 CATHODE B  
 10 CATHODE A

Part Numbers		Emitting Color	IF=20mA Min. ~ Typ.
COMMON CATHODE	COMMON ANODE		
CM1 - 0311200	CM1 - 0312200	Green	0.80 - 2.00
CM1 - 0311300	CM1 - 0312300	Orange	0.80 - 2.20
CM1 - 0311400	CM1 - 0312400	Gap-Red	0.32 - 0.75
CM1 - 0311500	CM1 - 0312500	Hi-Effi	0.80 - 2.20
CM1 - 0311600	CM1 - 0312600	Yellow	0.80 - 1.08
CM1 - 0311L00	CM1 - 0312L00	GaAlAs Red	2.20 - 5.50
CM1 - 0311G00	CM1 - 0312G00	SB/Green	1.60 - 4.00