

PIEZO BUZZER

(DRIVE CIRCUIT BUILT-IN TYPE)



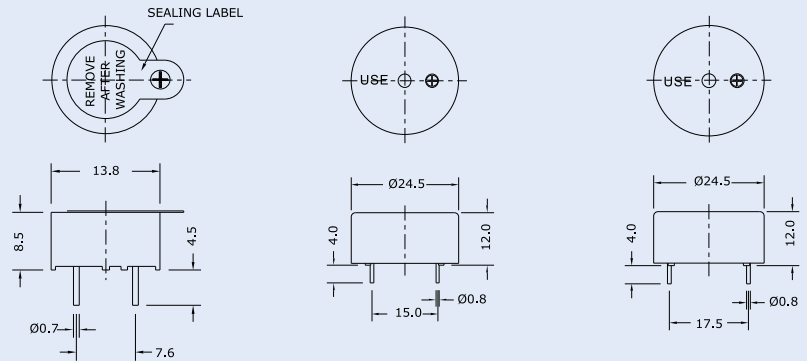
APPLICATIONS

- Data processing equipments
(i.e.,keyboards,disk drives,circuit boards,
malfunction alarms)
- Electronic instruments
- Medical equipments
- Automatic control devices
- Cash registers

SOUND PRESSURE LEVEL
OSCILLATING FREQUENCY
OPERATING VOLTAGE
CURRENT CONSUMPTION
-tone
CASE MATERIAL
LEAD PIN MATERIAL
OPERATING TEMP. RANGE
STORAGE TEMP. RANGE
WEIGHT

USE15210	USE20C1-15	USE20C1-175
85dB min. /10cm/DC 9V	90dB min. /30cm/DC 9V	90dB min. /30cm/DC 9V
4.4 ± 0.5KHz	3.4 ± 0.5KHz	3.4 ± 0.5KHz
DC 3 to 15V	DC 3 to 15V	DC 3 to 15V
8mA max. /DC 9V	7mA max. /DC 9V	7mA max. /DC 9V
Continuous Tone	Continuous Tone	Continuous Tone
PC UL (94V-2)	PC UL (94V-2)	PC (UL 94V-2)
Phosphor Bronze	Phosphor Bronze	Phosphor Bronze
-20°C to+70°C	-20°C to+70°C	-20°C to+70°C
-40°C to+85°C	-40°C to+85°C	-40°C to+85°C
1.0 gm	3.9 gms	3.9 gms

Dimensions (Unit: mm ± 0.5)



Sound Pressure Level
& Current Consumption
vs. Input Voltage

