

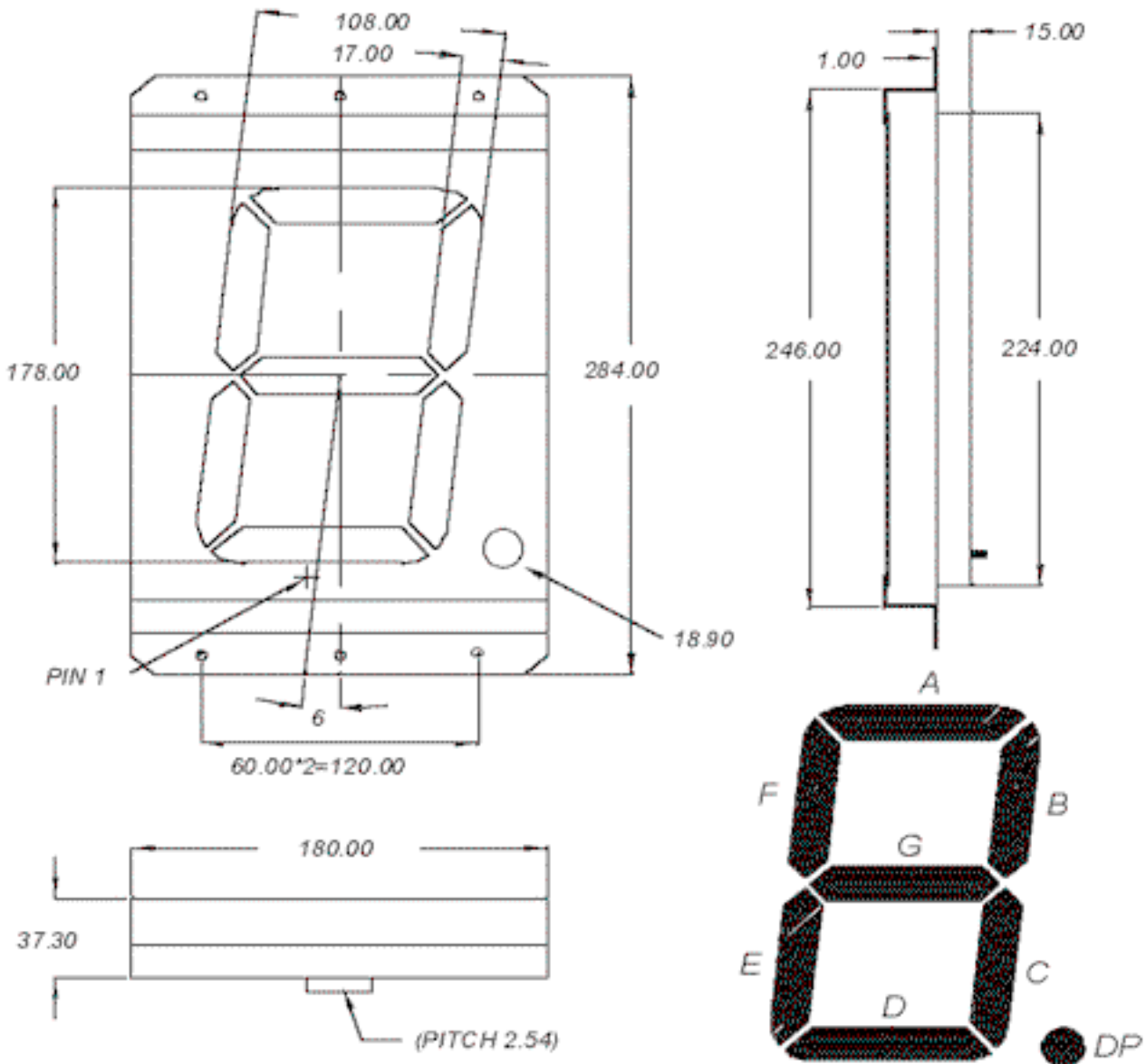
LED DISPLAYS

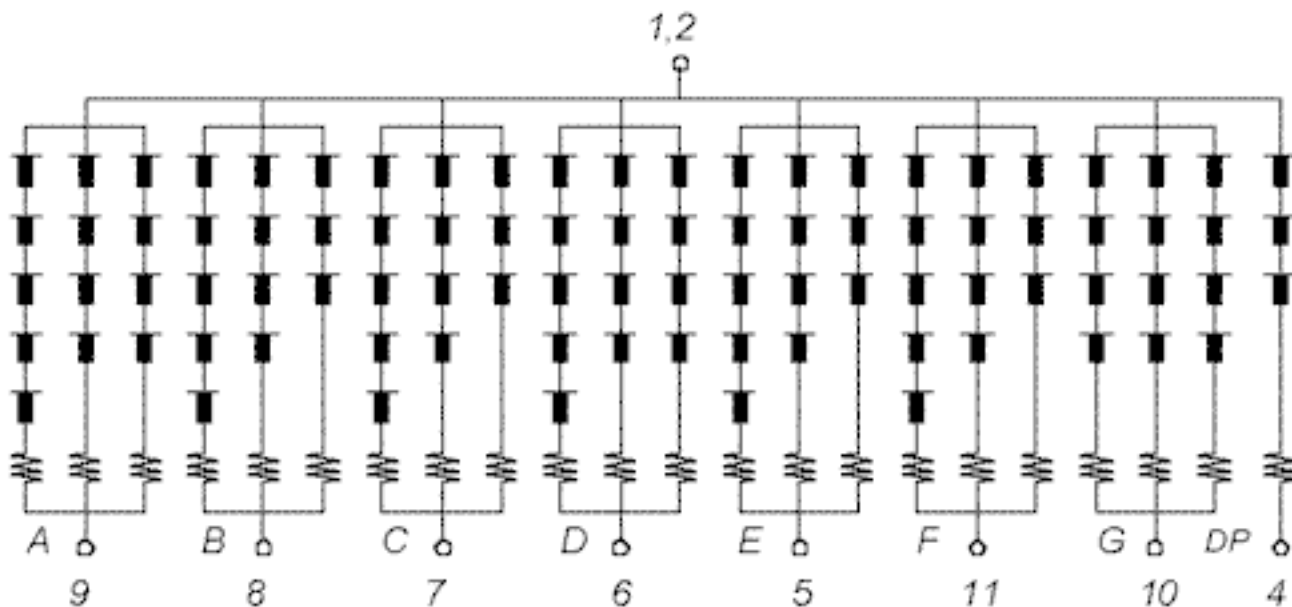
U.S.Electronics Inc.

Ph:(314)423 7550

CM1 - 700XX00

Fax:(314)423 0585

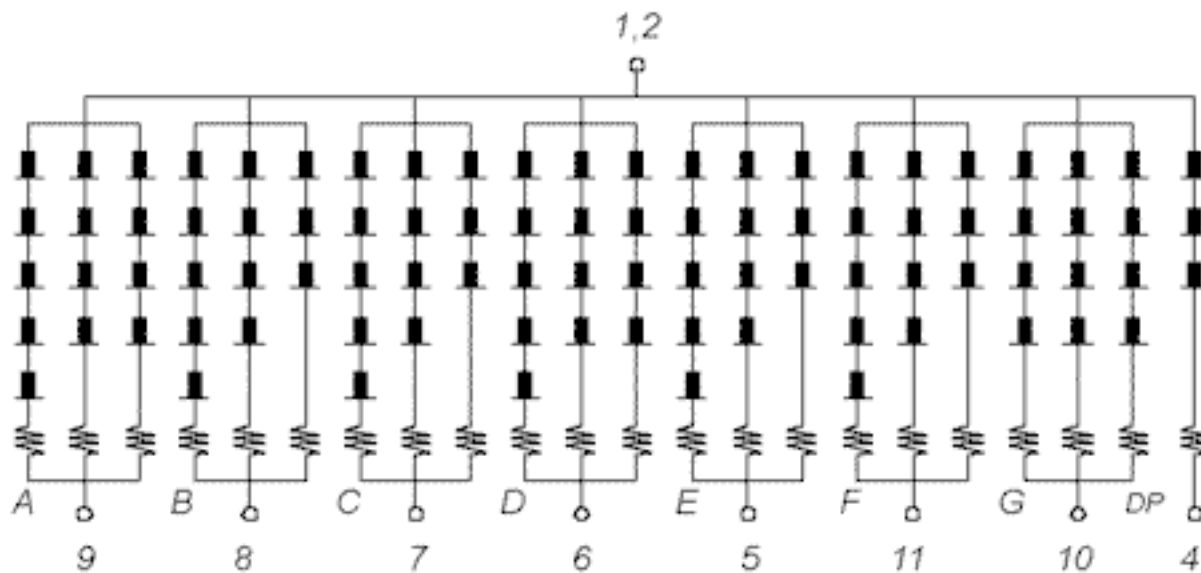




3,12,13 NO CONNECT

1 COMMON CATHODE
 2 COMMON CATHODE
 3 NO CONNECT
 4 ANODE DP
 5 ANODE E
 6 ANODE D
 7 ANODE C


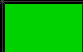
8 ANODE B
 9 ANODE A
 10 ANODE G
 11 ANODE F
 12 NO CONNECT
 13 NO CONNECT



3,12,13 NO CONNECT

1 COMMON ANODE
 2 COMMON ANODE
 3 NO CONNECT
 4 CATHODE DP
 5 CATHODE E
 6 CATHODE D
 7 CATHODE C

8 CATHODE B
 9 CATHODE A
 10 CATHODE G
 11 CATHODE F
 12 NO CONNECT
 13 NO CONNECT

Part Numbers		Emitting Color		IF=20mA Min. ~ Typ.
COMMON CATHODE	COMMON ANODE			
CM1 - 7001L00	CM1 - 7002L00	GaAlAs Red		30.0 - 90.0
CM1 - 7001G00	CM1 - 7002G00	SB/Green		30.0 - 80.0