

Mini USB CONNECTOR & CABLE

ESB 3,4,5 SERIES

U.S.Electronics Inc

Ph: (314) 423 7550

Fax: (314)423 0585



PATENT NO. : 139315
148380
ZL97250960.7 (CHINA)
ZL97243965.X(CHINA)



FEATURES

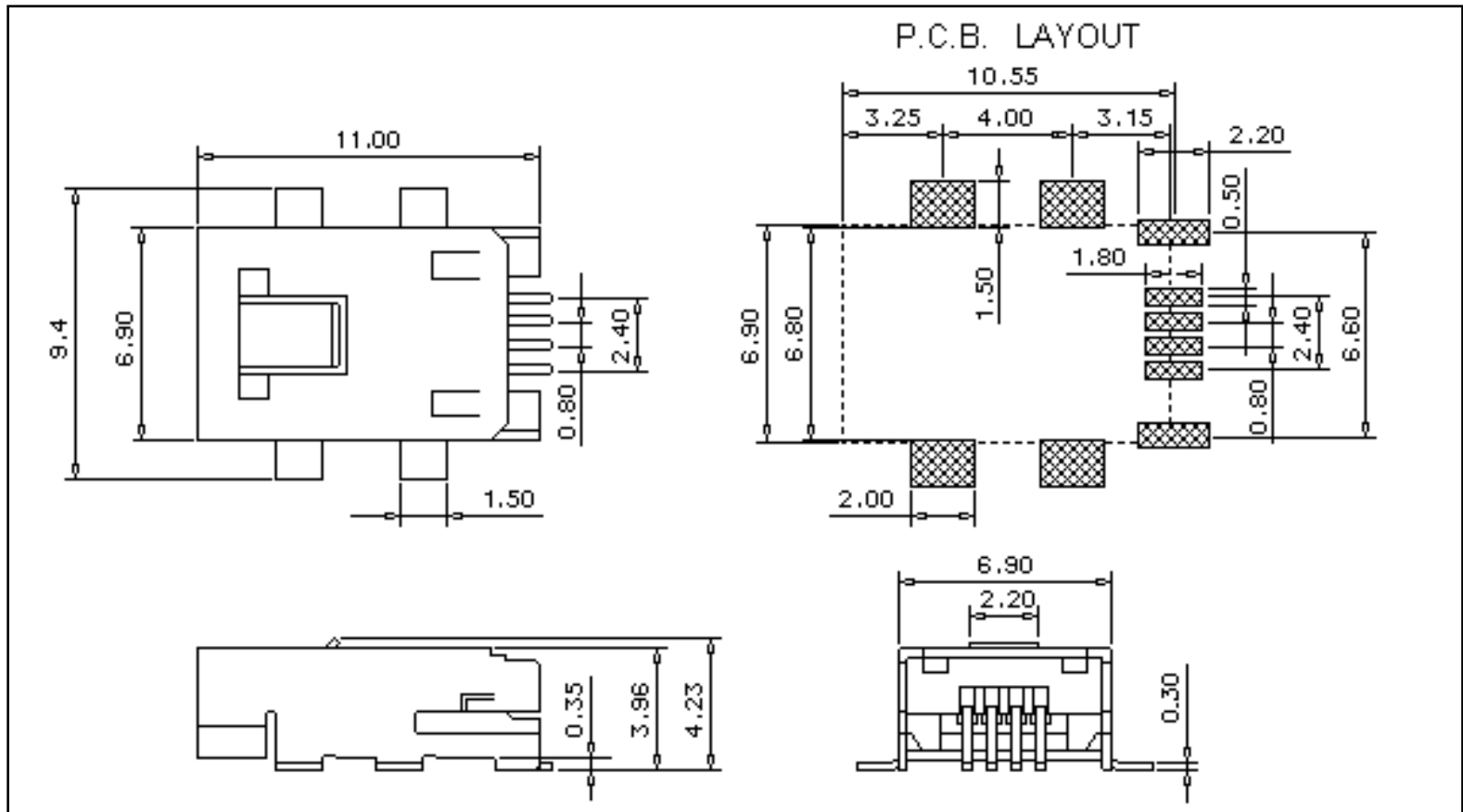
- Ultra-small size achieved universal series bus connector and cable.
- Both 4Pin type and 5Pin (One ID pin) type are 0.8mm pitch.
- 4Pin type is full compliant with current USB 1.0 specifications.
- 5Pin type is full compliant with current USB 2.0 specifications.
- Receptacle and plug housing are UL 94V-0 grade fire retardant.
- Gold plated contact ensure low contact resistance.
- To make sure your connections are perfect every time.
- EMI protection by shielding features.
- Ideal for connecting portable PCs as slim notebook PCs and handheld PCs to small, slim peripheral equipment (digital cameras, small mouse, PDA, MP3, Hub etc.).

SPECIFICATIONS

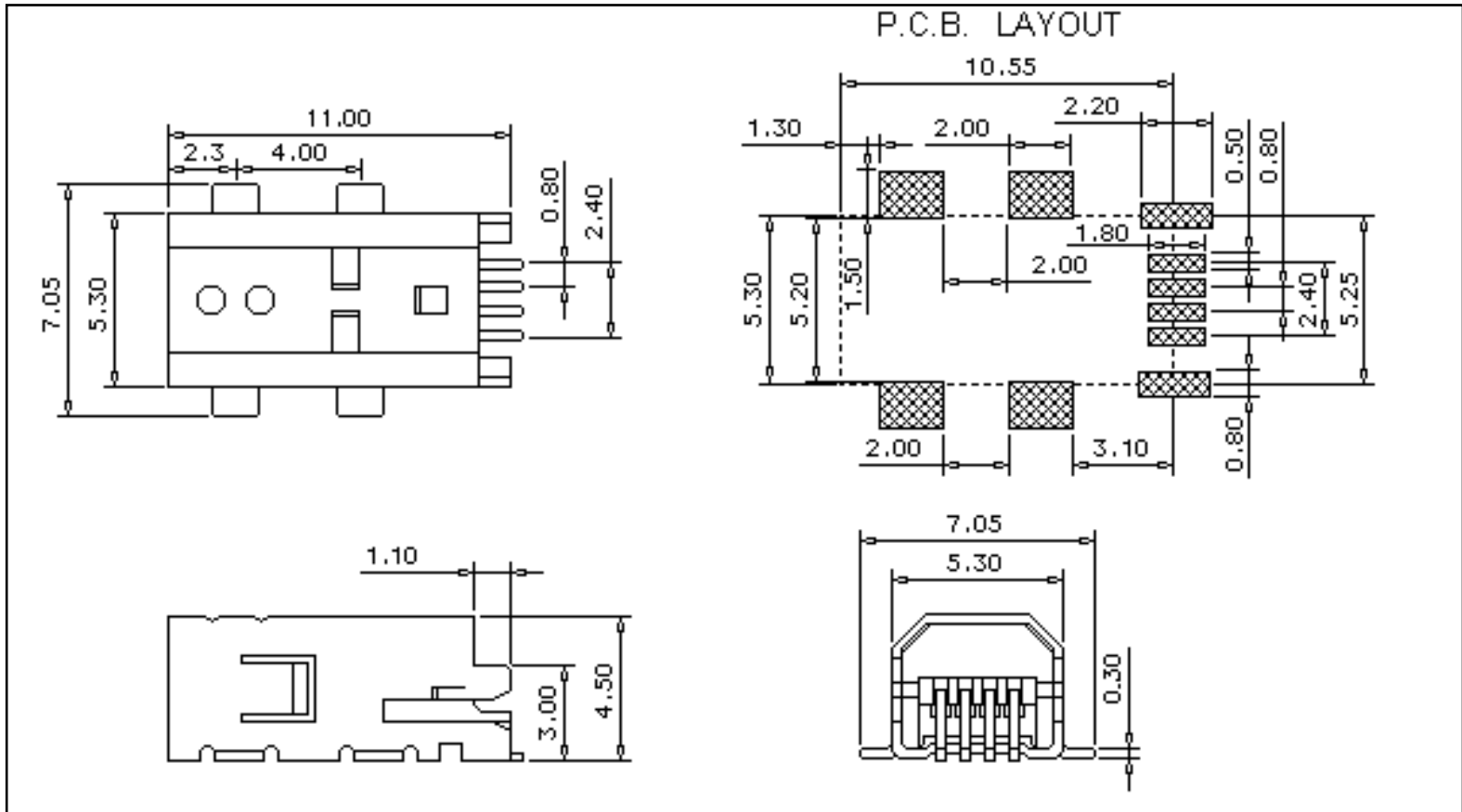
ESB3 SERIES (MINI TYPE)			
ELECTRICAL		MECHANICAL	
Voltage rating	30 VAC(rms)	Durability	1500 cycles
Current rating	1 Amp	Mating force	35N Max.
Contact resistance	50 mΩ Max.	Unmating force	2.9N Min.
Insulation resistance	100 MΩ Min.	---	---
Dielectric strength	100 VAC Min.		

DIMENSIONS (UNIT: mm)

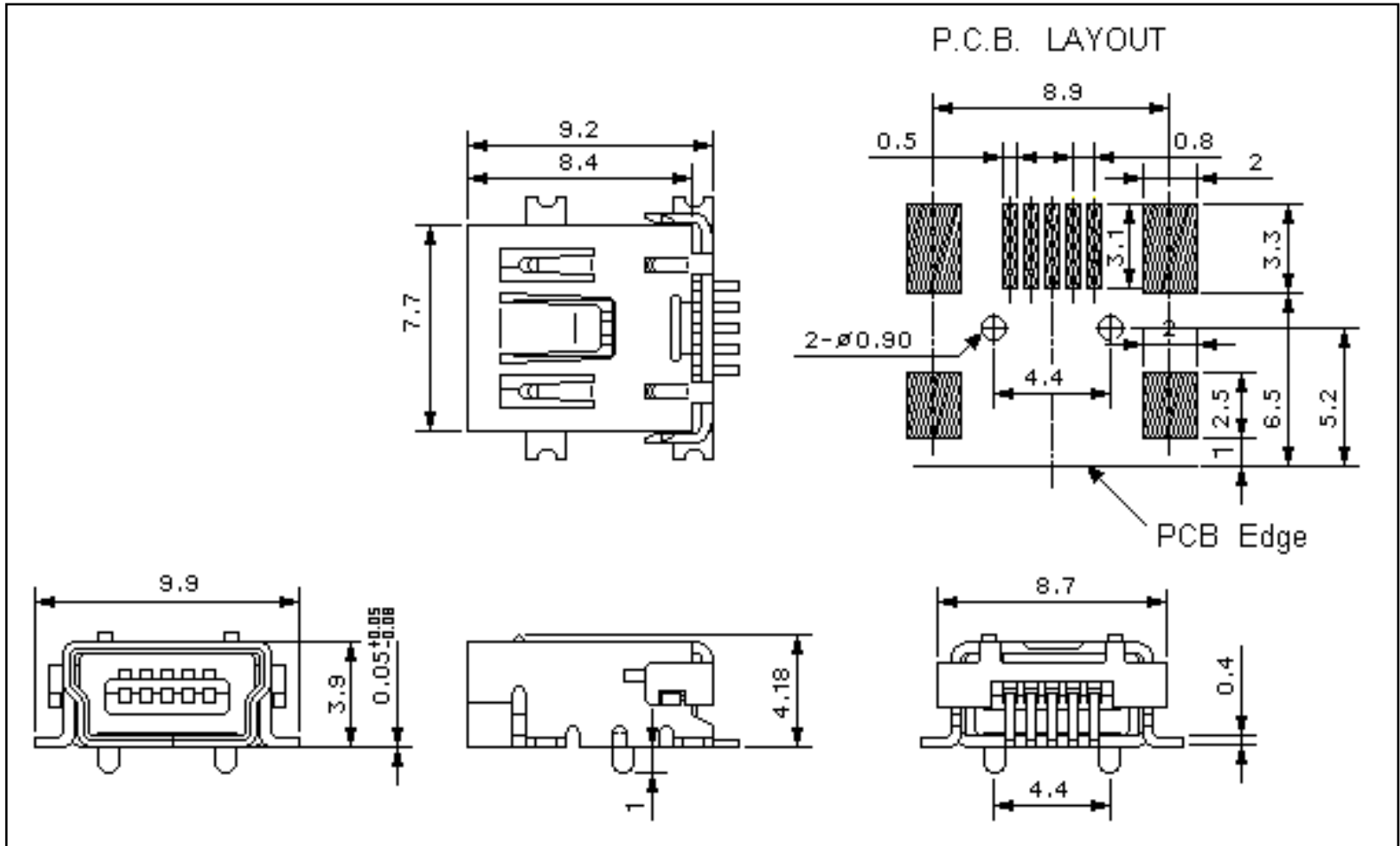
A TYPE CONNECTOR (4PIN)



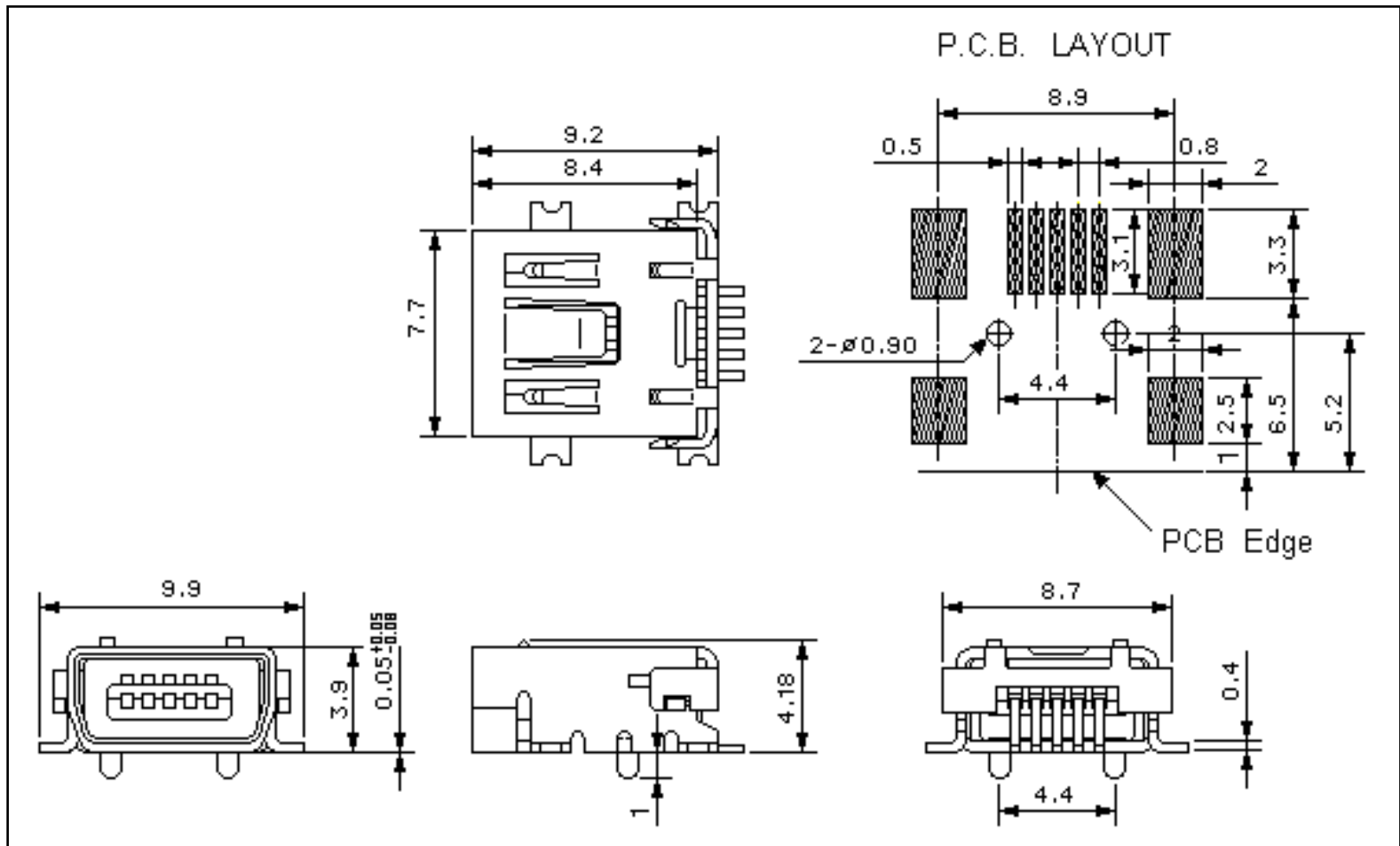
B TYPE CONNECTOR (4PIN)



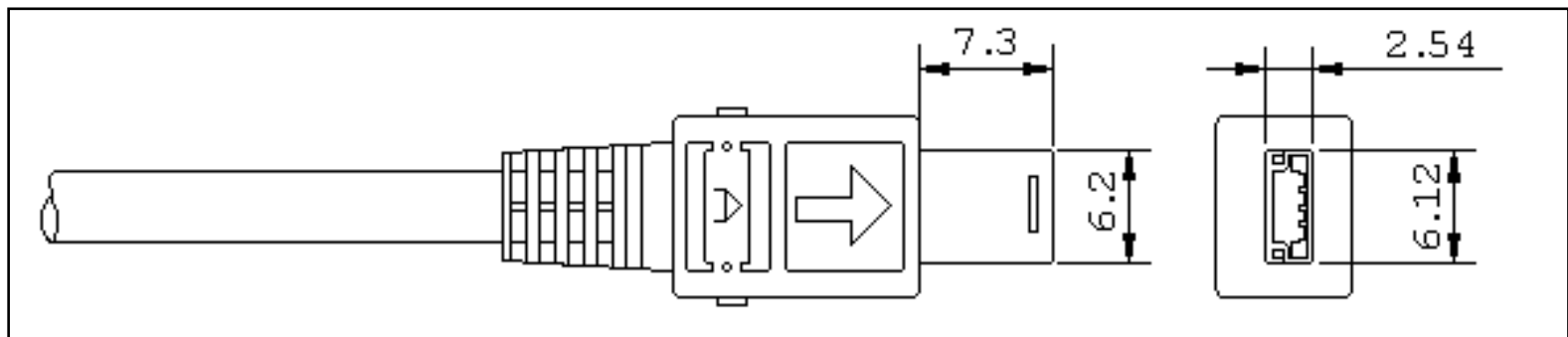
B TYPE CONNECTOR (5PIN)



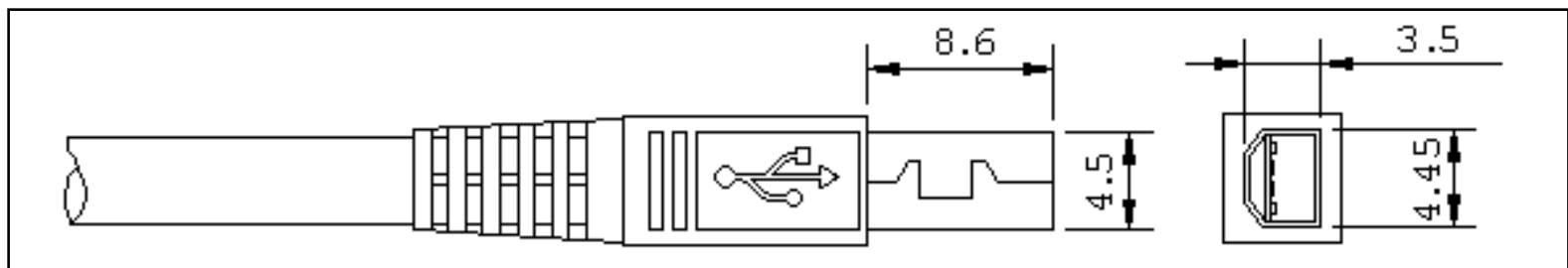
C TYPE CONNECTOR (5PIN)



MINI USB A TYPE CABLE (4PIN)



MINI USB B TYPE CABLE (4PIN)



● **MINI USB B & C TYPE CABLE (5PIN)**

