

EUROSTYLE P.C.B. TERMINAL BLOCK**ETB 01~36 SERIES****ETB01 SERIES****CLAMPING**

UL E133988(R)

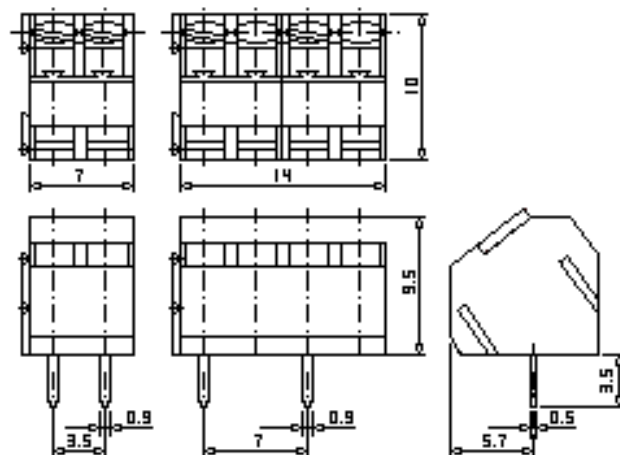


ETB01 **

Pitch=3.5mm

ETB01 **1

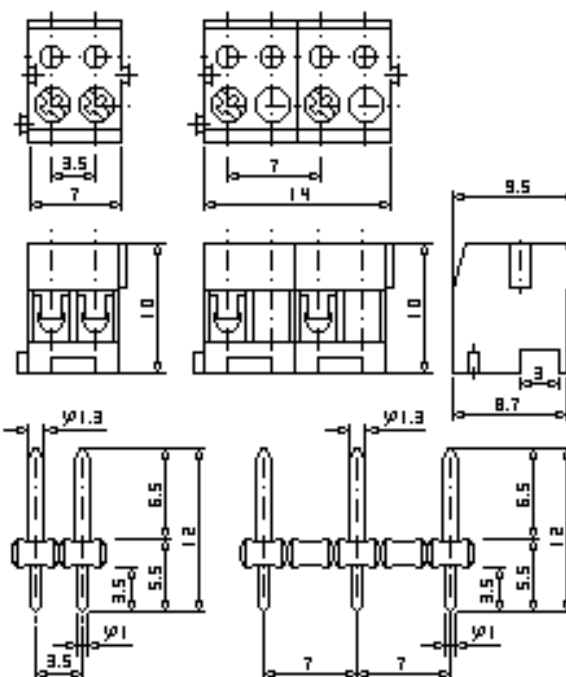
Pitch=7.0mm

**SPECIFICATIONS**

- Pitch 3.5 mm, 7.0 mm.
- Wire range 16 AWG to 26 AWG.
- No. of pole per Block 2 or 3
- Rated 10 Amp, 300 VAC
- Housing Polyamide 66, Blue
- Terminals Tin plated over Brass
- Screws M2.0 x 0.4P, Yellow Chromated
- Wire cage Zinc plated over Steel
- Wire cage Nickel plated over Zinc Alloy

ETB02 SERIES**CLAMPING**

UL Pending



ETB02 **

Pitch=3.5mm

ETB02 ** 1

Pitch=7.0mm

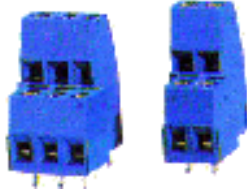
SPECIFICATIONS

- Pitch 3.5 mm, 7.0 mm
- Wire range 18 AWG to 28 AWG
- No. of pole per Block 2 or 3
- Rated 10 Amp, 300VAC
- Housing Polyamide 66, Blue
- Terminals Tin plated over Brass
- Screws M2.0 x 0.4P, Yellow Chromated
- Wire cage Zinc plated over Steel
- Wire cage Nickel plated over Zinc Alloy
- Wire protector Nickel plated over Beryllium Copper

ETB05 SERIES

CLAMPING

UL Pending



ETB05 **

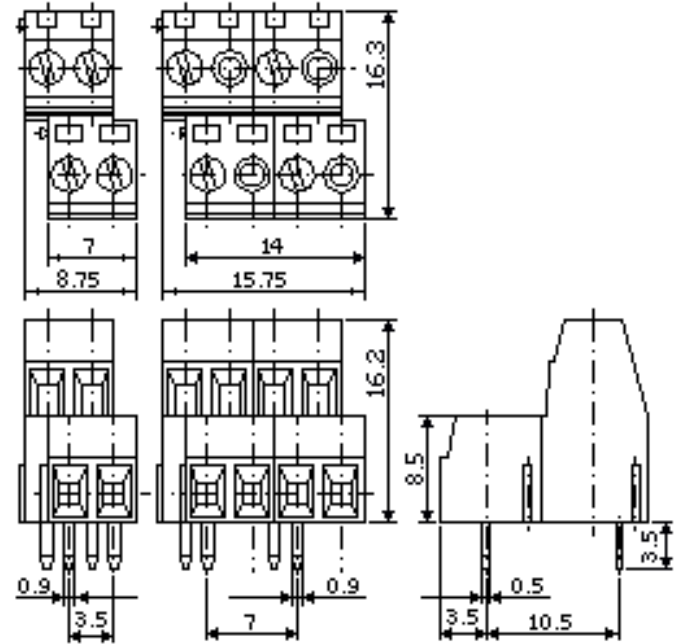
Pitch=3.5mm

ETB05 **1

Pitch=7.0mm

SPECIFICATIONS

- Pitch 3.50 mm, 7.0 mm.
- Wire range 16 AWG to 26 AWG.
- No. of pole per Block 2P x 2 or 3P x 2
- Rated 10 Amp, 300 VAC
- Housing Polyamide 66, Blue
- Terminals Tin plated over Brass
- Screws M2.0 x 0.4P, Yellow Chromated
- Wire cage Zinc plated over Steel
- Nickel plated over Zinc Alloy



mm to inch

**NUMBER OF POLE 02~30

mm	0.5	0.9	1	1.3	3	3.5	5.5	5.7	6.5	7	8.5
inch	0.02	0.035	0.039	0.051	0.118	0.138	0.217	0.224	0.256	0.276	0.335
mm	8.7	8.75	9.5	10	10.5	12	14	15.75	16.2	16.3	
inch	0.343	0.344	0.374	0.394	0.413	0.472	0.551	0.620	0.638	0.642	

EUROSTYLE P.C.B. TERMINAL BLOCK**ETB 01~36 SERIES****ETB06 SERIES****CLAMPING**

E133988(R)



ETB06 **

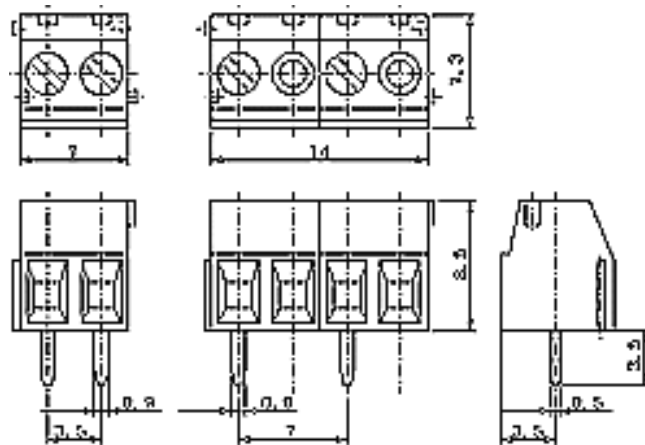
Pitch=3.5mm

ETB06 **1

Pitch=7.0mm

SPECIFICATIONS

- Pitch 3.5 mm, 7.0 mm.
- Wire range 16 AWG to 26 AWG.
- No. of pole per Block 2 or 3
- Rated 10 Amp, 300 VAC
- Housing Polyamide 66, Blue
- Terminals Tin plated over Brass
- Screws M2.0 x 0.4P, Yellow Chromated
- Wire cage Zinc plated over Steel
Nickel plated over Zinc Alloy

**ETB08 SERIES**

E133988(R) LR100420



ETB08 **

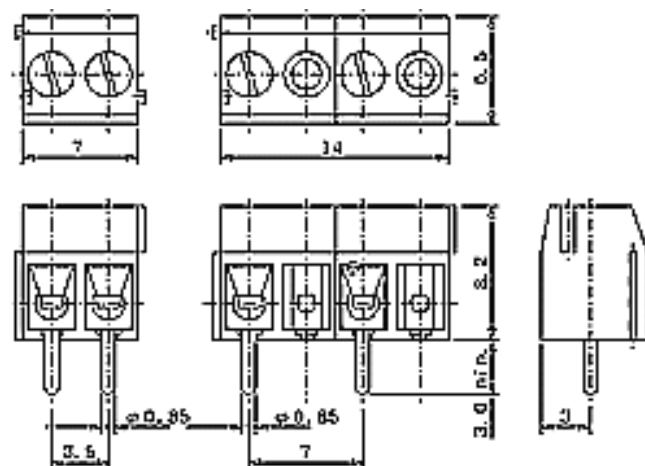
Pitch=3.5mm

ETB08 ** 1

Pitch=7.0mm

SPECIFICATIONS

- Pitch 3.5 mm, 7.0 mm
- Wire range 18 AWG to 28 AWG
- No. of pole per Block 2 or 3
- Rated 10Amp, 300VAC
- Housing Polyamide 66, Blue
- Terminals Tin plated over Zinc Alloy
- Screws M2.0 x 0.4P, Yellow Chromated
- Wire protector Zinc plated over Steel
Stainless Steel



ETB09 SERIES

E133988(R)

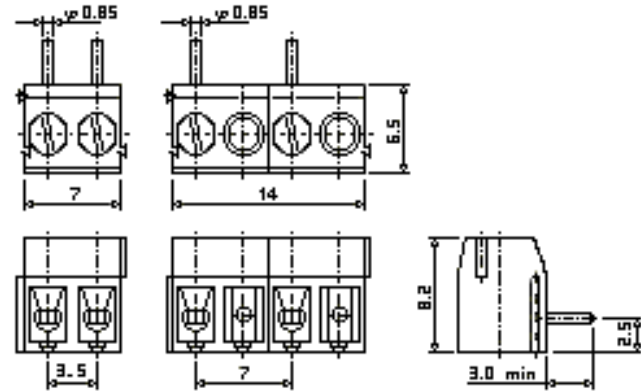


ETB09 **
Pitch=3.5mm

ETB09 ** 1
Pitch=7.0mm

SPECIFICATIONS

- Pitch 3.5 mm, 7.0 mm
- Wire range 18 AWG to 28 AWG
- No. of pole per Block 2 or 3
- Rated 10 Amp, 300 VAC
- Housing Polyamide 66, Blue
- Terminals Tin plated over Brass
- Screws M2.0 x 0.4P, Yellow Chromated
- Wire protector Zinc plated over Steel
- Stainless Steel



mm to inch

**NUMBER OF POLE 02~30

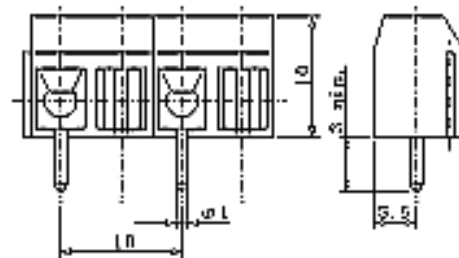
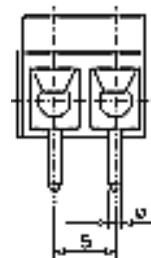
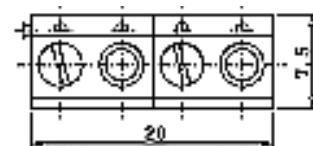
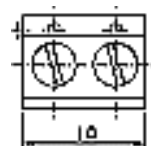
mm	0.5	0.85	0.9	2.5	3	3.5	6.5	7	7.3	8.2	8.5	14			
inch	0.02	0.033	0.035	0.098	0.118	0.138	0.256	0.276	0.287	0.323	0.335	0.551			

EUROSTYLE P.C.B. TERMINAL BLOCK**ETB 01~36 SERIES****ETB10 SERIES**

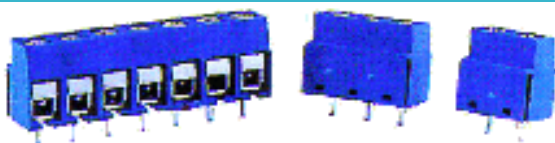
E133988(R) LR100420

ETB10 **
Pitch=5.0mmETB10 ** 1
Pitch=10.0mm**SPECIFICATIONS**

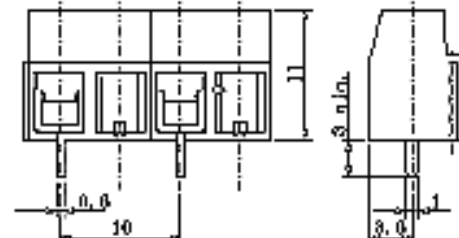
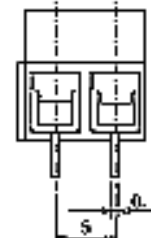
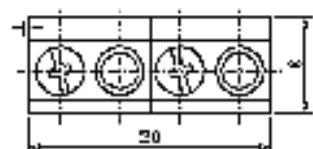
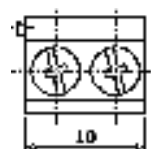
● Pitch	5.0 mm, 10.0 mm
● Wire range	14 AWG to 24 AWG
● NO. of pole per Block	2 or 3
● Rated	16 Amp,300 VAC
● Housing	Polyamide 66,Blue
● Terminals	Tin plated over Zinc Alloy
● Screws	M2.6 x 0.45P, Yellow Chromated
	Zinc plated over Steel
● Wire protector	Stainless Steel

**ETB11 SERIES**

E133988(R) LR100420

ETB11 **
Pitch=5.0mmETB11 ** 1
Pitch=10.0mm**SPECIFICATIONS**

● Pitch	5.0 mm, 10.0 mm
● Wire range	14 AWG to 24 AWG
● No. of pole per Block	2 or 3
● Rated	8 Amp,300 VAC
● Housing	Polyamide 66,Blue
● Terminals	Tin plated over Brass
● Screws	M2.6 x 0.45P, Yellow Chromated
	Zinc plated over Steel
● Wire protector	Stainless Steel



ETB12 SERIES

E133988(R) LR100420

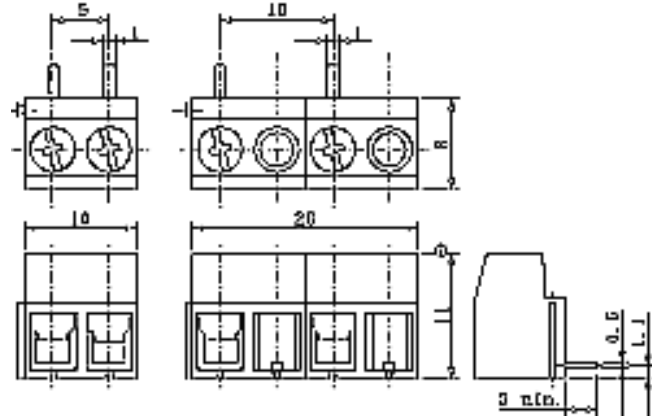


ETB12 * *
Pitch=5.0mm

ETB12 * * 1
Pitch=10.0mm

SPECIFICATIONS

- Pitch 5.0 mm, 10.0 mm
- Wire range 14 AWG to 24 AWG
- No. of pole per Block 2 or 3
- Rated 8 Amp, 300 VAC
- Housing Polyamide 66, Blue
- Terminals Tin plated over Brass
- Screws M2.6 x 0.45P, Yellow Chromated
- Wire protector Zinc plated over Steel
- Wire protector Stainless Steel



mm to inch

**NUMBER OF POLE 02~30

mm	0.6	1	1.1	3	3.5	3.6	5	7.5	8	10	11	20			
inch	0.024	0.039	0.043	0.118	0.138	0.142	0.197	0.295	0.315	0.394	0.433	0.787			

EUROSTYLE P.C.B. TERMINAL BLOCK**ETB 01~36 SERIES****ETB13 SERIES****CLAMPING**

TÜV R350002918

E133988(R) LR100420

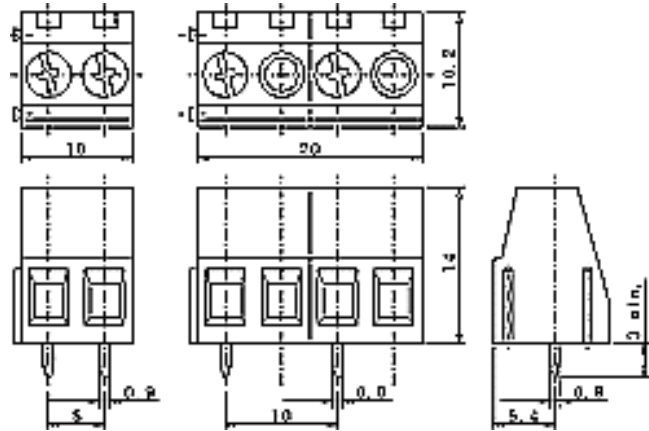


ETB13 **

Pitch=5.0mm

ETB13 ** 1

Pitch=10.0mm

**SPECIFICATIONS**

- Pitch 5.0 mm, 10.0 mm.
- Wire range 14 AWG to 24 AWG.
- No. of pole per Block 2 or 3
- Rated 10 Amp, 300 VAC
- Housing Polyamide 66, Blue
- Terminals Tin plated over Brass
- Screws M2.6 x 0.45P, Yellow Chromated
- Wire cage Zinc plated over Steel
- Nickel plated over Zinc Alloy

ETB14 SERIES**CLAMPING**

TÜV R350002918

E133988(R) LR100420

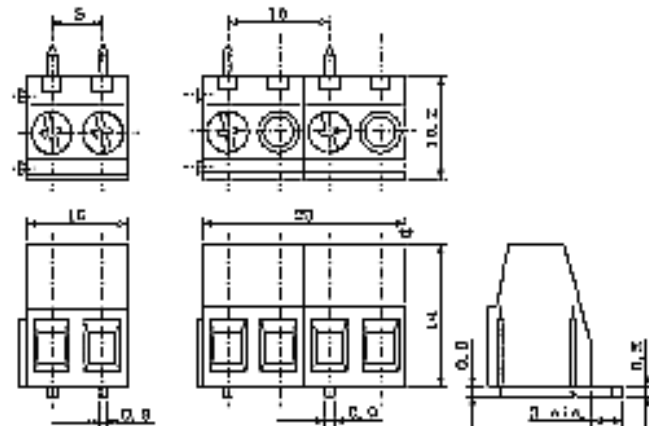


ETB14 **

Pitch=5.0mm

ETB14 ** 1

Pitch=10.0mm

**SPECIFICATIONS**

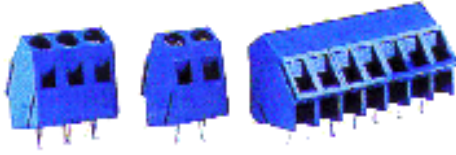
- Pitch 5.0 mm, 10.0 mm.
- Wire range 14 AWG to 24 AWG.
- No. of pole per Block 2 or 3
- Rated 10 Amp, 300 VAC
- Housing Polyamide 66, Blue
- Terminals Tin plated over Brass
- Screws M2.6 x 0.45P, Yellow Chromated
- Wire cage Zinc plated over Steel
- Nickel plated over Zinc Alloy

ETB15 SERIES

CLAMPING

TÜV R350002918

E133988(R) LR100420

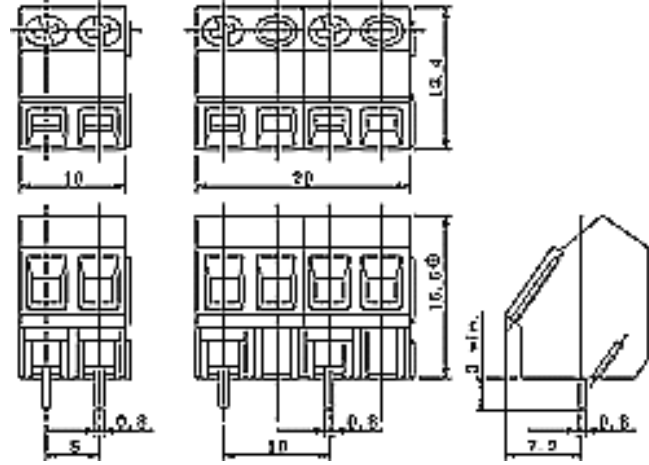


ETB15 **
Pitch=5.0mm

ETB15 * * 1
Pitch=10.0mm

SPECIFICATIONS

- Pitch 5.0 mm, 10.0 mm.
- Wire range 14 AWG to 24 AWG.
- No. of pole per Block 2 or 3
- Rated 10 Amp, 300 VAC
- Housing Polyamide 66, Blue
- Terminals Tin plated over Brass
- Screws M2.6 x 0.45P, Yellow Chromated
- Wire cage Zinc plated over Steel
- Nickel plated over Zinc Alloy



mm to inch

**NUMBER OF POLE 02~30

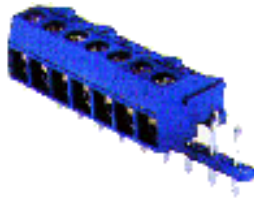
mm	0.8	0.9	3	5	5.4	7.2	10	10.2	13.4	14	15.5	20			
inch	0.031	0.035	0.118	0.197	0.213	0.283	0.394	0.402	0.528	0.551	0.61	0.787			

EUROSTYLE P.C.B. TERMINAL BLOCK

ETB 01~36 SERIES

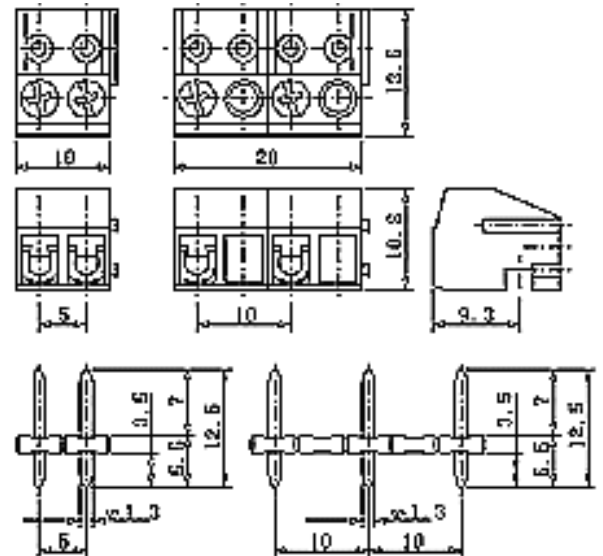
ETB16 SERIES

 E133988(R)  LR100420



ETB16 **
Pitch=5.0mm

ETB16 ** 1
Pitch=10.0mm



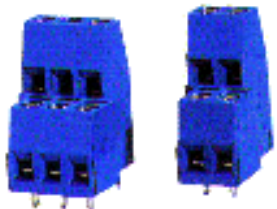
SPECIFICATIONS

- Pitch 5.0 mm, 10.0 mm.
- Wire range 14 AWG to 24 AWG.
- No. of pole per Block 2 or 3
- Rated 10 Amp, 300 VAC
- Housing Polyamide 66, Blue
- Terminals Tin plated over Brass
- Screws M2.6 x 0.45P, Yellow Chromated
- Wire Protector Zinc plated over Steel
- Wire cage Nickel plated over Beryllium Copper
- Wire cage Nickel plated over Zinc Alloy

ETB18 SERIES

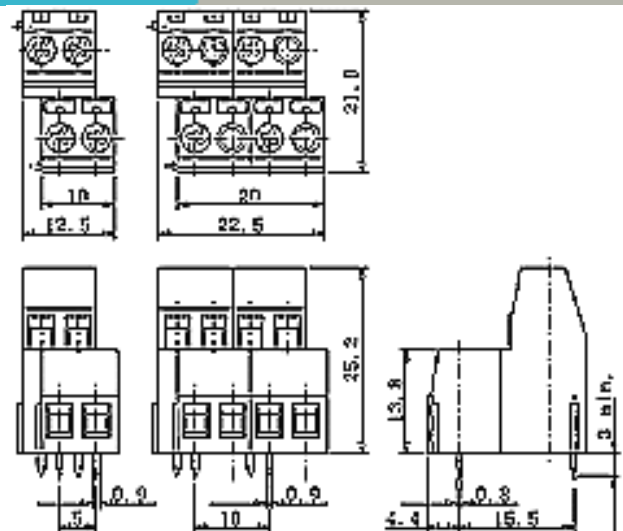
CLAMPING

TÜV R350002918  E133988(R)



SPECIFICATIONS

- Pitch 5.0 mm, 10.0 mm.
- Wire range 14 AWG to 24 AWG.
- No. of pole per Block 2Px2 or 3Px2
- Rated 10 Amp, 300 VAC
- Housing Polyamide 66, Blue
- Terminals Tin plated over Brass
- Screws M2.6 x 0.45P, Yellow Chromated
- Wire Protector Zinc plated over Steel
- Wire cage Nickel plated over Zinc Alloy



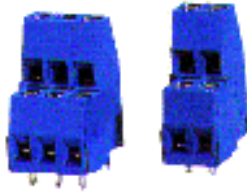
ETB18 **
Pitch=5.0mm

ETB18 ** 1
Pitch=10.0mm

ETB19 SERIES

CLAMPING

TÜV R350002918 E133988(R)

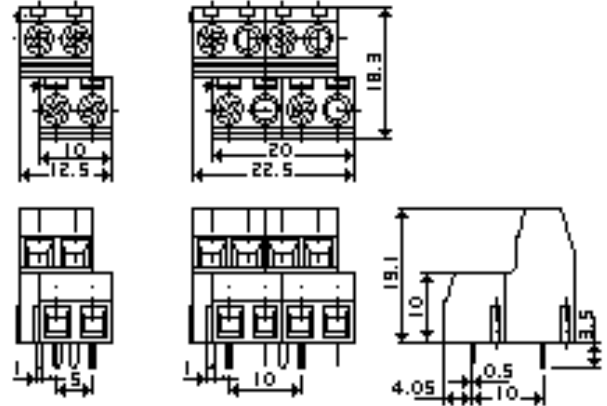


ETB19 **
Pitch=5.0mm

ETB19 ** 1
Pitch=10.0mm

SPECIFICATIONS

- Pitch 5.0 mm, 10.0 mm.
- Wire range 14 AWG to 22 AWG.
- No. of pole per Block 2Px2 or 3Px2
- Rated 10 Amp, 300 VAC
- Housing Polyamide 66, Blue
- Terminals Tin plated over Brass
- Screws M2.5 x 0.45P, Yellow Chromated
- Wire cage Zinc plated over Steel
- Nickel plated over Zinc Alloy



mm to inch

**NUMBER OF POLE 02~30

mm	0.5	0.8	0.9	1	1.3	3	3.5	4.05	4.4	5	5.5	7	9.3
inch	0.02	0.031	0.035	0.039	0.051	0.118	0.138	0.159	0.173	0.197	0.217	0.276	0.366
mm	10	10.8	12.5	13.5	13.8	15.5	18.3	19.1	20	21.9	22.5	25.2	
inch	0.394	0.425	0.492	0.531	0.543	0.61	0.72	0.752	0.787	0.862	0.886	0.992	

EUROSTYLE P.C.B. TERMINAL BLOCK

ETB 01~36 SERIES

ETB20 SERIES

CLAMPING

TÜV R350002918 E133988(R)

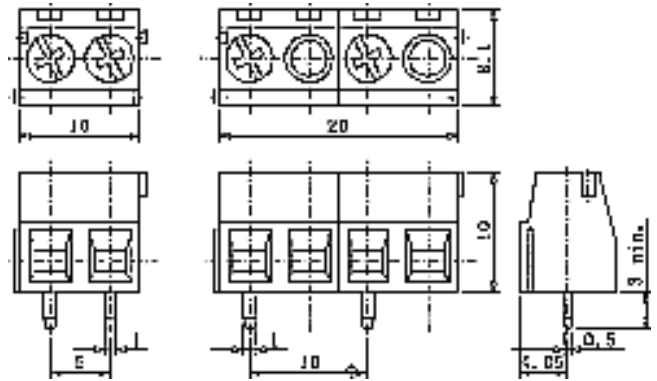


ETB20 **

Pitch=5.0mm

ETB20 ** 1

Pitch=10.0mm



SPECIFICATIONS

- Pitch 5.0 mm, 10.0 mm.
- Wire range 14 AWG to 22 AWG.
- No. of pole per Block 2 or 3
- Rated 10 Amp, 300 VAC
- Housing Polyamide 66, Blue
- Terminals Tin plated over Brass
- Screws M2.5 x 0.45P, Yellow Chromated
- Wire cage Nickel plated over Zinc Alloy

ETB21 SERIES

CLAMPING

UL Pending

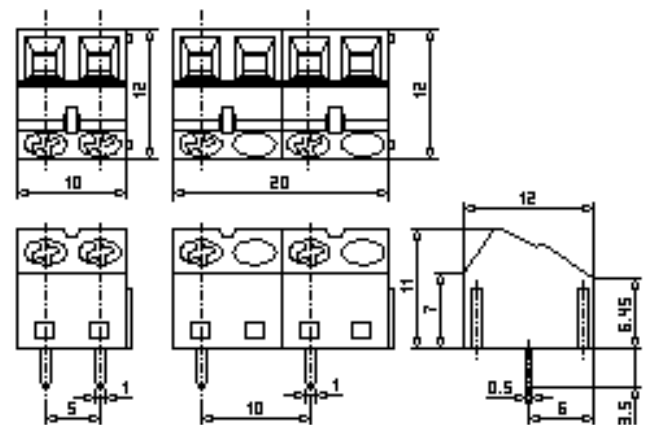


ETB21 **

Pitch=5.0mm

ETB21 ** 1

Pitch=10.0mm



SPECIFICATIONS

- Pitch 5.0 mm, 10.0 mm.
- Wire range 14 AWG to 24 AWG.
- No. of pole per Block 2 or 3
- Rated 10 Amp, 300 VAC
- Housing Polyamide 66, Blue
- Terminals Tin plated over Brass
- Screws M2.5 x 0.45P, Chromated
- Wire cage Nickel plated over Zinc Alloy

mm to inch

**NUMBER OF POLE 02~30

mm	0.5	1	3	3.5	4.05	5	6	6.45	7	8.1	10	11	12	20
inch	0.02	0.039	0.118	0.138	0.159	0.197	0.236	0.254	0.276	0.319	0.394	0.433	0.472	0.787

EUROSTYLE P.C.B. TERMINAL BLOCK**ETB 01~36 SERIES****ETB30 SERIES****CLAMPING**

E133988(R)



ETB30 **

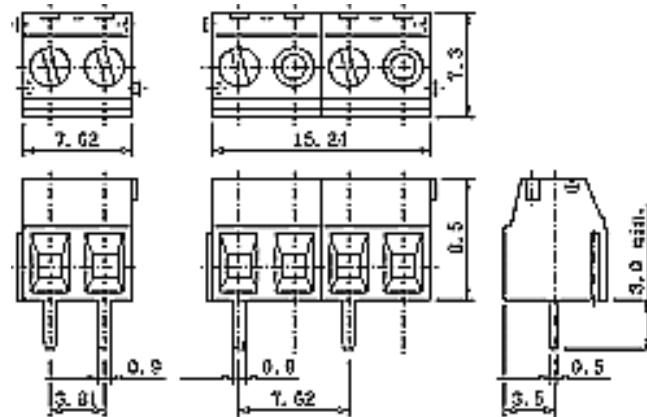
Pitch=3.81mm

ETB30 ** 1

Pitch=7.62mm

SPECIFICATIONS

- Pitch 3.81 mm, 7.62 mm.
- Wire range 16 AWG to 26 AWG.
- No. of pole per Block 2 or 3
- Rated 10 Amp, 300 VAC
- Housing Polyamide 66, Blue
- Terminals Tin plated over Brass
- Screws M2.0 x 0.4P, Yellow Chromated
- Wire cage Zinc plated over Steel
- Nickel plated over Zinc Alloy

**ETB31 SERIES****CLAMPING**

E133988(R)



ETB31 **

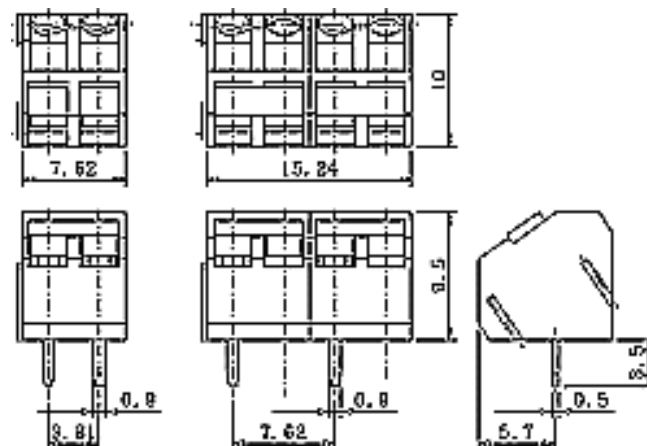
Pitch=3.81mm

ETB31 ** 1

Pitch=7.62mm

SPECIFICATIONS

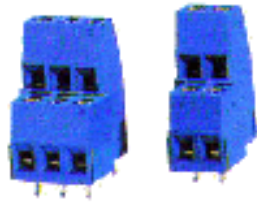
- Pitch 3.81 mm, 7.62 mm.
- Wire range 16 AWG to 26 AWG.
- No. of pole per Block 2 or 3
- Rated 10 Amp, 300 VAC
- Housing Polyamide 66, Blue
- Terminals Tin plated over Brass
- Screws M2.0 x 0.4P, Yellow Chromated
- Wire cage Zinc plated over Steel
- Nickel plated over Zinc Alloy
- Cover Polyamide 66, Blue



ETB32 SERIES

CLAMPING

E133988(R)

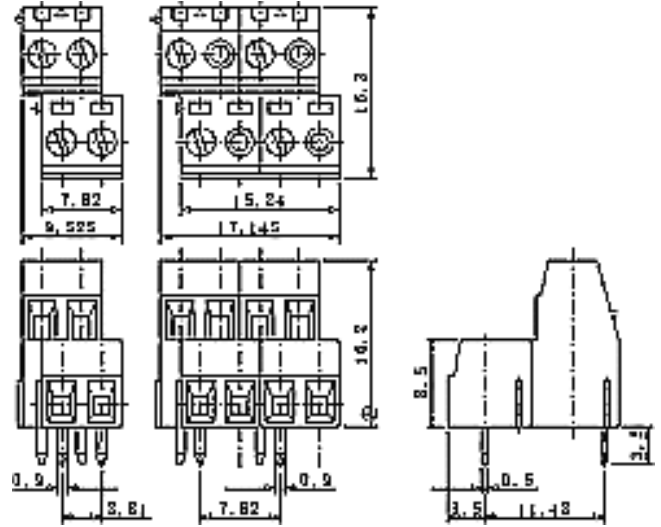


ETB32 **

Pitch=3.81mm

ETB32 ** 1

Pitch=7.62mm



SPECIFICATIONS

- Pitch 3.81 mm, 7.62 mm.
- Wire range 16 AWG to 26 AWG.
- No. of pole per Block 2 or 3
- Rated 10 Amp, 300 VAC
- Housing Polyamide 66, Blue
- Terminals Tin plated over Brass
- Screws M2.0 x 0.4P, Yellow Chromated
- Wire cage Zinc plated over Steel
- Nickel plated over Zinc Alloy

mm to inch

**NUMBER OF POLE 02~30

mm	0.5	0.9	3	3.5	3.81	5.7	7.3	7.62	8.5	9.5	9.525	10
inch	0.02	0.035	0.118	0.138	0.15	0.224	0.287	0.3	0.335	0.374	0.375	0.394
mm	11.43	15.24	16.2	16.3	17.145							
inch	0.45	0.6	0.638	0.642	0.675							

EUROSTYLE P.C.B. TERMINAL BLOCK**ETB 01~36 SERIES****ETB33 SERIES****CLAMPING**

TÜV R350002918 E133988(R)

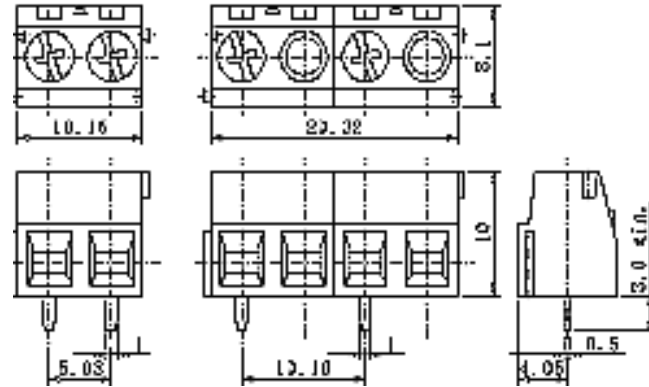


ETB33 **

Pitch=5.08mm

ETB33 ** 1

Pitch=10.16mm

**SPECIFICATIONS**

- Pitch 5.08 mm, 10.16 mm.
- Wire range 14 AWG to 22 AWG.
- No. of pole per Block 2 or 3
- Rated 10 Amp, 300 VAC
- Housing Polyamide 66, Blue
- Terminals Tin plated over Brass
- Screws M2.5 x 0.45P, Yellow Chromated
- Wire cage Zinc plated over Steel
- Nickel plated over Zinc Alloy

ETB34 SERIES**CLAMPING**

TÜV R350002918 E133988(R)

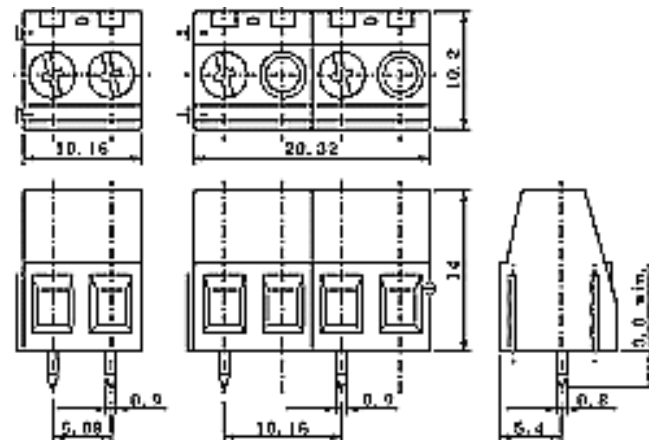


ETB34 **

Pitch=5.08mm

ETB34 ** 1

Pitch=10.16mm

**SPECIFICATIONS**

- Pitch 5.08 mm, 10.16 mm.
- Wire range 14 AWG to 24 AWG.
- No. of pole per Block 2 or 3
- Rated 10 Amp, 300 VAC
- Housing Polyamide 66, Blue
- Terminals Tin plated over Brass
- Screws M2.6 x 0.45P, Yellow Chromated
- Wire cage Zinc plated over Steel
- Nickel plated over Zinc Alloy

ETB35 SERIES

CLAMPING

TÜV R350002918 E133988(R)

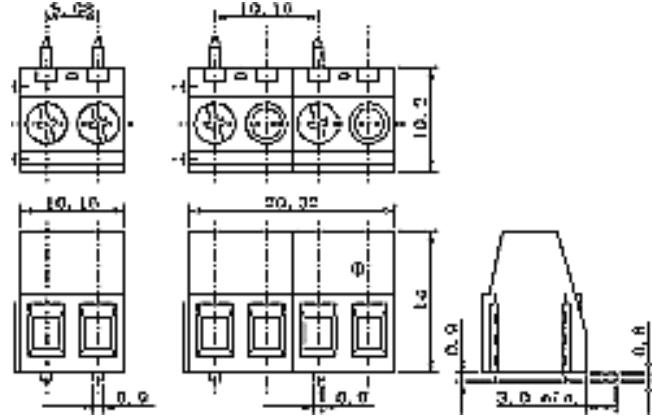


ETB35 **
Pitch=5.08mm

ETB35 ** 1
Pitch=10.16mm

SPECIFICATIONS

- Pitch 5.08 mm, 10.16 mm.
- Wire range 14 AWG to 24 AWG.
- No. of pole per Block 2 or 3
- Rated 10 Amp, 300 VAC
- Housing Polyamide 66, Blue
- Terminals Tin plated over Brass
- Screws M2.6 x 0.45P, Yellow Chromated
- Wire cage Zinc plated over Steel
- Nickel plated over Zinc Alloy



mm to inch

**NUMBER OF POLE 02~30


mm	0.5	0.8	0.9	1	3	4.05	5.08	5.4	8.1	10	10.16	10.2	14	20.32
inch	0.02	0.031	0.035	0.039	0.118	0.159	0.2	0.213	0.319	0.394	0.4	0.402	0.551	0.8

EUROSTYLE P.C.B. TERMINAL BLOCK

ETB 01~36 SERIES

ETB36 SERIES

CLAMPING

 E133988(R)



ETB36 **

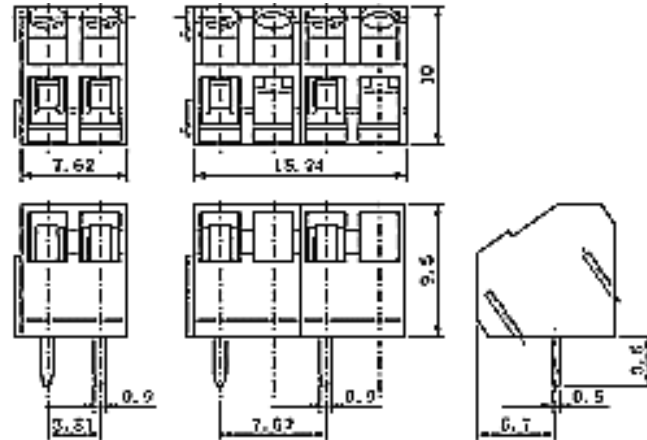
Pitch=3.81mm

ETB36 ** 1

Pitch=7.62mm

SPECIFICATIONS

- Pitch 3.81 mm, 7.62 mm.
- Wire range 16 AWG to 26 AWG.
- No. of pole per Block 2 or 3
- Rated 10 Amp, 300 VAC
- Housing Polyamide 66, Blue
- Terminals Tin plated over Brass
- Screws M2.0 x 0.4P, Yellow Chromated
- Wire cage Zinc plated over Steel
- Wire cage Nickel plated over Zinc Alloy



mm to inch

**NUMBER OF POLE 02~30

mm	0.5	0.9	3.5	3.81	5.7	7.62	9.5	10	15.24					
inch	0.02	0.035	0.138	0.15	0.224	0.3	0.374	0.394	0.6					