

Through Hole Ceramic Resonators

U.S.Electronics Inc.

ZTA Series

Ph:(314) 423 7550

Compatible to Murata CSA : 1.80-50.00MHz

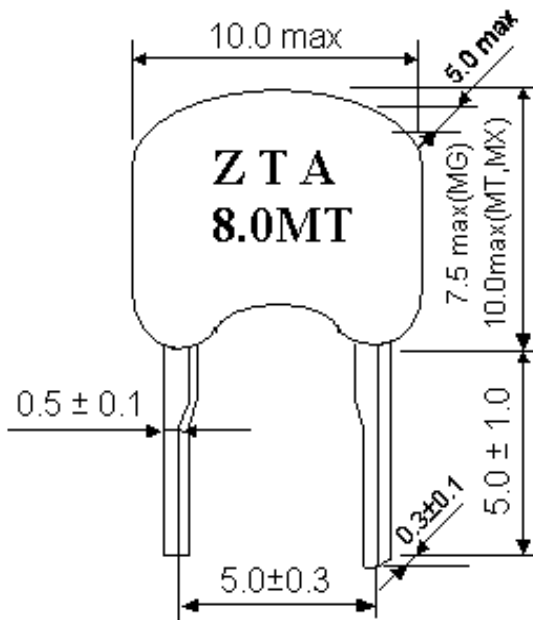
Fax: (314) 423 0585

ZTA (MHz) Series cover the frequency range of 1.80 MHz to 50.00 MHz with an initial frequency tolerance of $\pm 0.5\%$. Since the ZTA Series utilizes the thickness mode of vibration of the piezoelectric element, there is little dimensional change with frequency. All ZTA resonators are epoxy coated and completely washable. [Tape and Ammo](#) packaging is available.

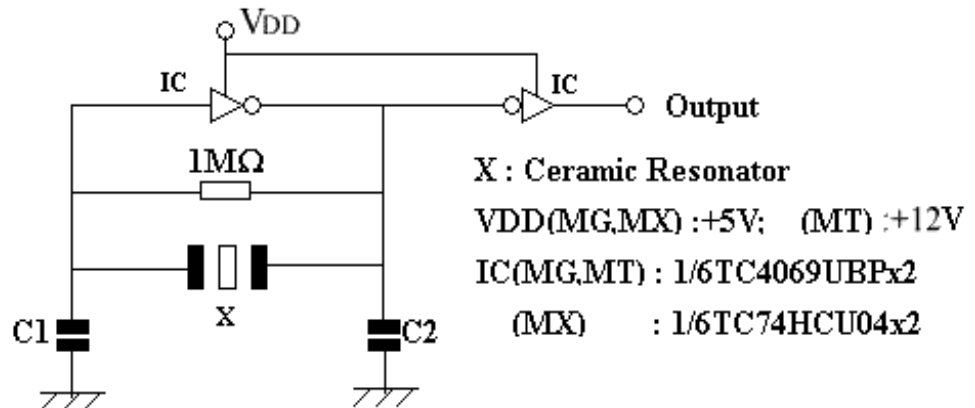
TECHNICAL CHARACTERISTICS:

Part Number	Frequency Range (MHz)	Frequency Accuracy (at 25°C)	Stability in Temperature (-20°C ~ +80°C)	Operating Temperature . (°C)	Aging For Ten Years(%)
ZTA__ MG	1.80 ~ 6.00	$\pm 0.5\%$	$\pm 0.3\%$	-20 ~ +80	$\pm 0.3\%$
ZTA__ MT	6.01 ~ 13.00	$\pm 0.5\%$	$\pm 0.3\%$	-20 ~ +80	$\pm 0.3\%$
ZTA__ MX	13.01 ~ 50.00	$\pm 0.5\%$	$\pm 0.3\%$	-20 ~ +80	$\pm 0.3\%$

ZTA (MHz) DIMENSIONS



ZTA (MHz) TEST CIRCUIT



C1C2 (MG, MT) : 30pF

C1C2 (MX) : 30pF (13.01 ~ 20.00 MHz)

C1C2 (MX) : 15pF (20.01 ~ 25.99 MHz)

C1C2 (MX) : 5 pF (26.00 ~ 50.00 MHz)

Through Hole Ceramic Resonators

U.S.Electronics Inc.

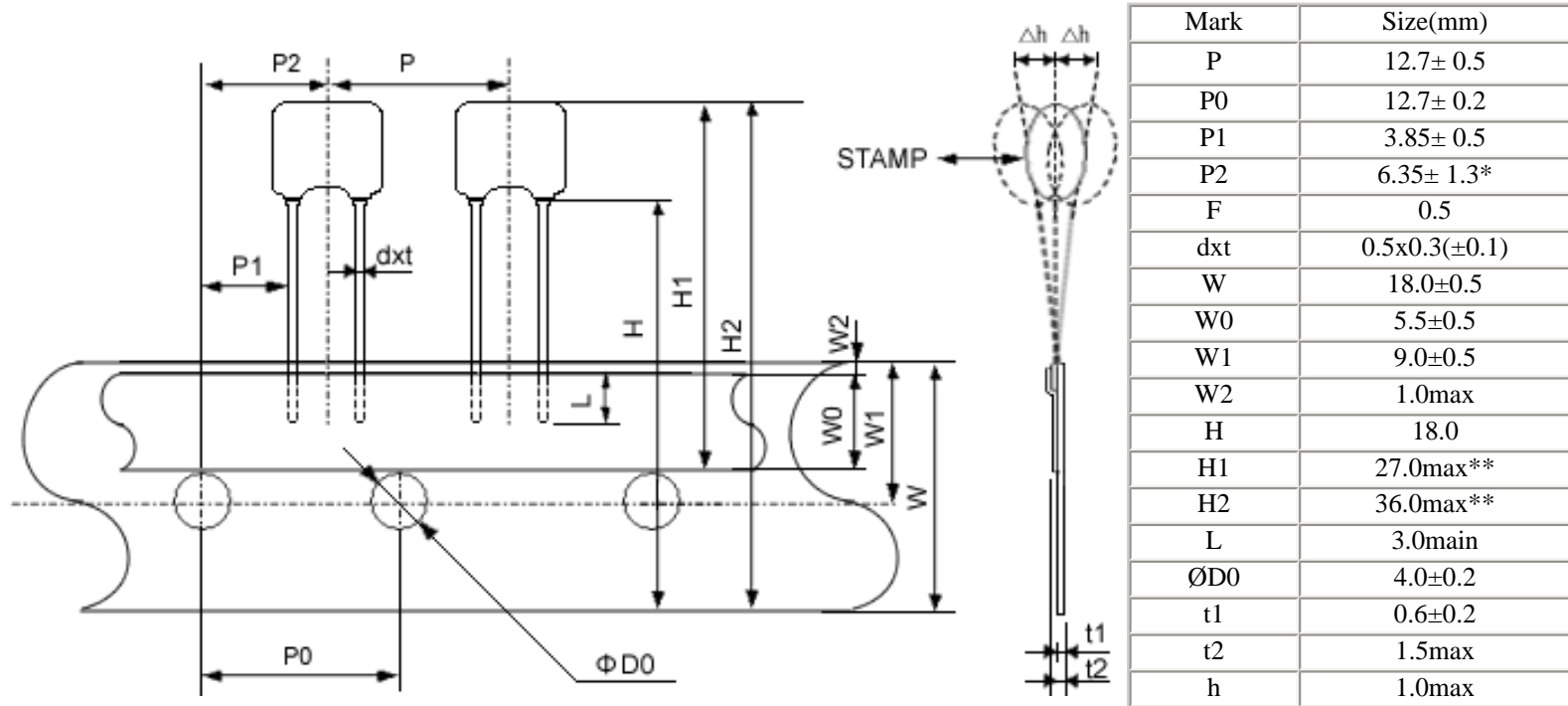
ZTA/ZTT Series

Ph:(314) 423 7550

Tape And Ammo Package Dimensions

Fax: (314) 423 0585

ZTA Series TAPE and AMMO Dimensions



ZTT Series TAPE and AMMO Dimensions

