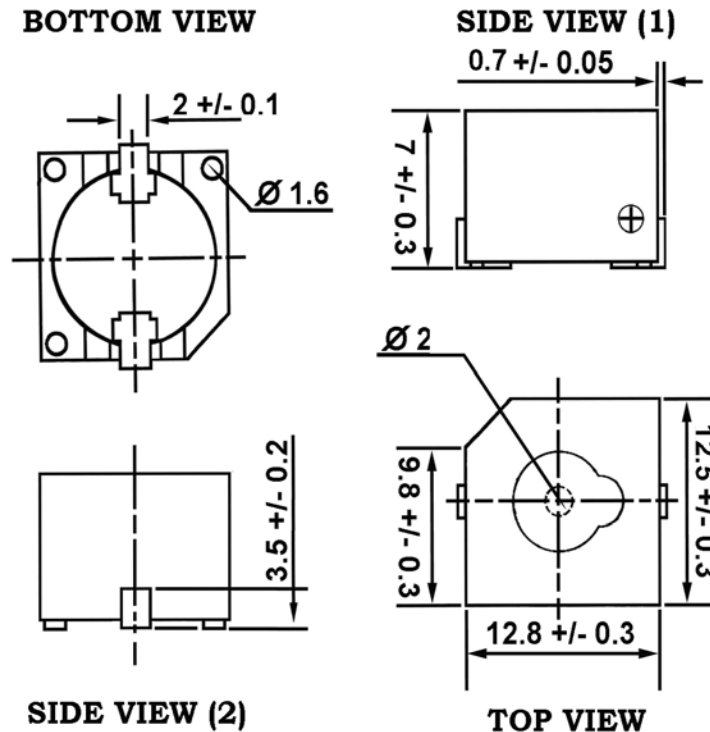


U.S. Electronics Inc.

USE647-MB series SMD MAGNETIC BUZZER

DIMENSIONS



ELECTRICAL SPECIFICATIONS

MODEL NO.	USE647-MB
OPERATING VOLTAGE RANGE (VDC)	4 - 7
RATED VOLTAGE (VDC)	5
*MAX. RATED CURRENT (mA)	30
*MIN. SOUND OUTPUT (dBA/10 cm)	90
*FREQUENCY (Hz)	2400 \pm 300
TONE NATURE	SINGLE
TERMINAL	SMD
HOUSING MATERIAL	PPS
OPERATING TEMPERATURE (C)	-20 - 80
WEIGHT (g)	2

*Value applying at rated voltage

ST. LOUIS, MISSOURI. Phone : 314-423-7550