

Euro XPK Puck Type Programmable Sensor



- Puck and magnet design
- Hall Effect non-contacting technology
- Long life - extremely robust
- Programmable angles from 20° up to 360°
- IP68 protection
- Redundant output



Based on the well proven 28 mm diameter Euro-XP angle sensor, the puck option is a two piece design with a separate magnet. With redundant output this compact and fully non-contacting Hall Effect sensor features IP68 sealing and will suit arduous high-duty cycle position feedback applications.

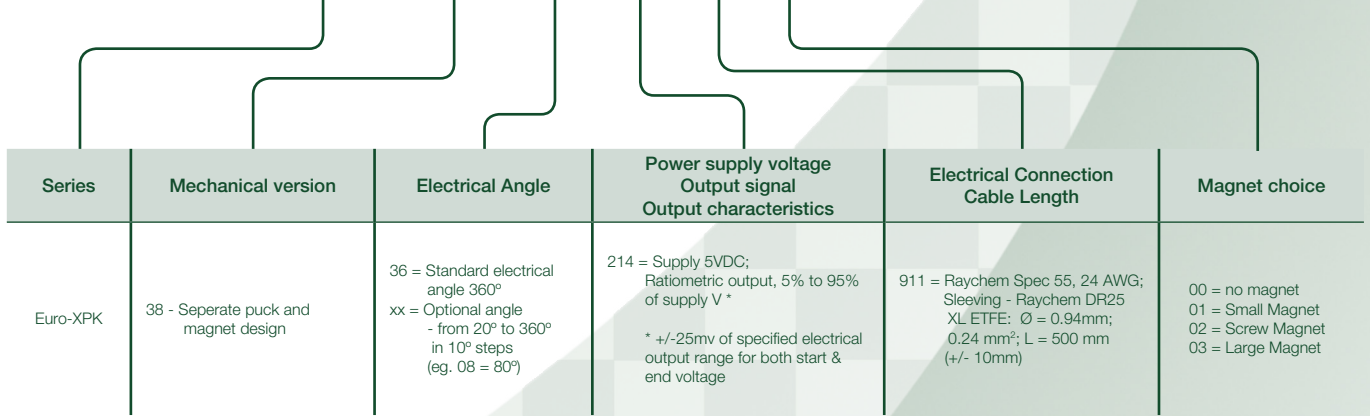
Specifications

| Mechanical | |
|-----------------------|--|
| Typical Life Cycle | In excess of 100 million cycles |
| Measuring range | 360° redundant, signal 1 cw, signal 2 ccw |
| Housing | High grade temperature resistant plastic |
| Environmental | |
| Operating temperature | -40°C to +125°C (Short term 150°C) |
| Vibration | 5...2000 Hz; Amax = 0.75 mm; amax = 20g to IEC 60068-2-6 |
| IP rating | IP68 (minimum) |
| Electrical | |
| Supply Voltage | 5V +/- 0.5V |
| Output signal | Ratiometric 5%...95% of supply (+/-25mv of specified electrical output range for both start & end voltage) |
| Independent linearity | +/- 0.5% of each signal range |
| Isolation resistance | 200 MΩ (500 VDC, 1 bar, 2s) |
| Repeatability | <= 0.2% (dependent on mounting tolerances) |
| Electrical connection | See ordering code/wiring diagram |
| Cable type | Raychem Spec 55, 24 AWG; Sleeving - Raychem DR25 |

Ordering information

(Please use the characters in the chart below to construct your product code)

Sample Code: **Euro-XPK - 2838 - 8xx - 214 - 911 - 00***

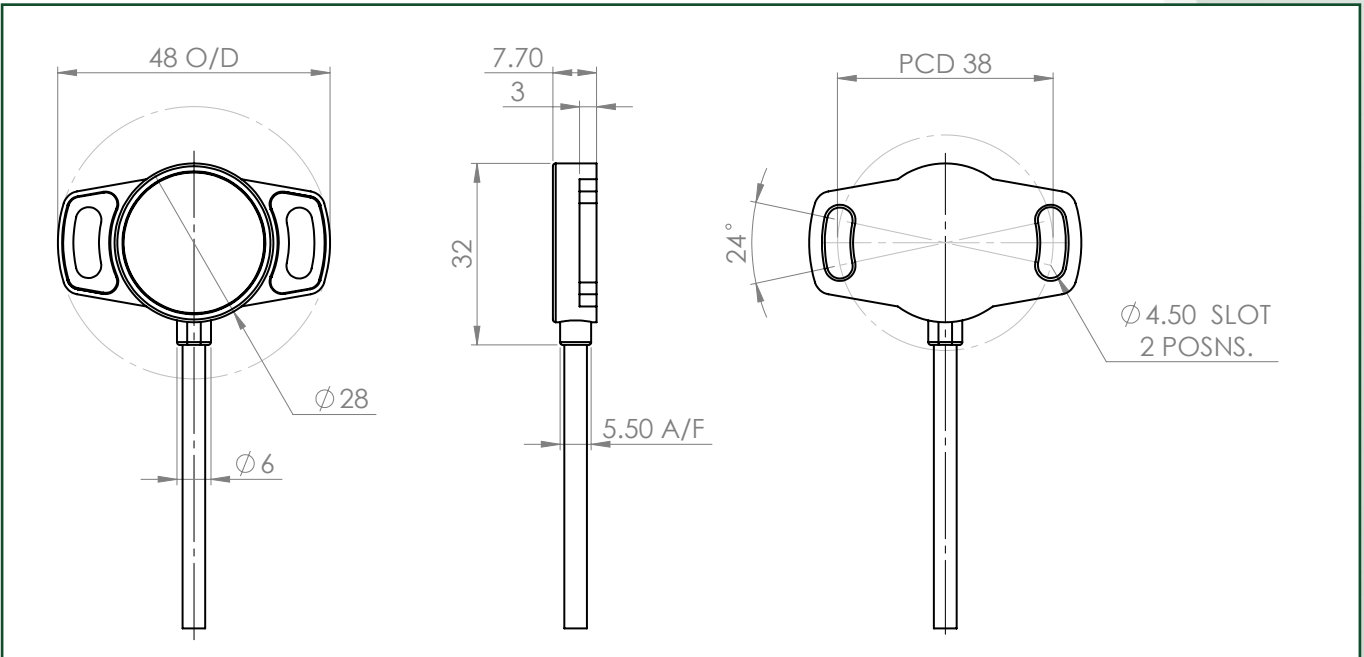


Note* - Magnet options 01, 02 or 03 are selected in the ordering code and a single magnet is included. Additional or alternative magnets can be ordered separately as spare parts using the following codes:
 93816 - XPK Small Magnet-01
 93817 - XPK M10 Magnet-02
 93818 - XPK Large Magnet-03

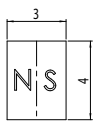


Custom options available on request

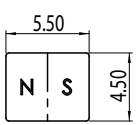
Euro XPK - dimensions in mm



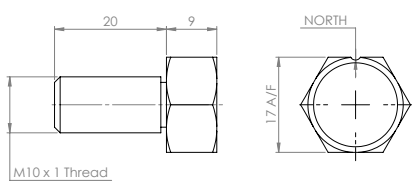
Magnet options and orientation - dimensions in mm



Small magnet -01



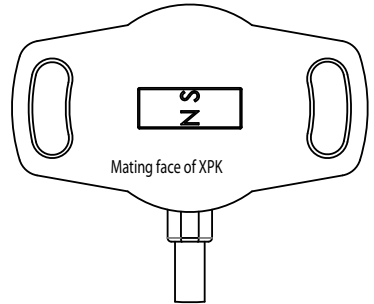
Large magnet -03



M10 magnet -02

Orientation

Midpoint of electrical travel as shown



Mating face of XPK

| Magnet type | Distance from XPK Face |
|------------------|------------------------|
| M10 Screw Magnet | 0mm - 4.5mm |
| Small Magnet | 0mm - 2mm |
| Large Magnet | 0mm - 5mm |

Note for magnets: Maximum permitted radial offset = +/- 3 mm

Wiring

